

## TV\* - VELOCITY - TEMPERATURE - HUMIDITY TRANSMITTER

Velocity, temperature and R.H transmitters, combined in a probe in SS 304. Use in ventilation processes, HVAC industrial area even with harsh environments, with clean air, low dust contamination and not water vapor saturated. Cable version, for wall installation or conduct. Thin film velocity sensor.



Applications: pharmaceutical, clean rooms, ventilation ducts, industrial, etc.

## TECHNICAL SPECIFICATIONS

Measuring Range :

	Air velocity m/s				Temperature	Humidity (rel)
Range:	0,05...1	0,1...2	0,20...10	0,20...20	-10...+60°C	0...100%RH
Accuracy:	+/-0,1 m/s	+/-0,15 m/s	+/-0,5 m/s	+/-0,7 m/s	+/- 0,3°C	+/- 1,5%RH (10-90%RH); +/- 2%RH (over range 10-90%RH) for T=15-35°C; +/-1,5+1,5% v.m. %RH for remaining temperature range
	+ 3% v.m.					
	at 50%RH and 1013 hPa					

Operativity sensor: Clean air, RH= <80%  
 Output: 4/20 mA R <500 Ohm  
 Supply: 16...40 Vdc or 12...24Vac +/-10 10%  
 Response time: adjustable, fast 0,2 sec, Slow 2,0 sec.  
 Working Temperature: electronic 0...60°C; sensor -10...+80°C  
 Temperature compensat: 0...80°C  
 Electronic Dimensions: 80x84x44 - IP67

Versions, models, sensors

duct ACTIVE TRANSMITTER	Version	Sensor Length mm	Cable m.	Code
<b>VELOCITY</b>	CO150	150	-	TV-CO150
	CO200	200	-	TV-CO200
	CO3300	300	-	TV-CO300
	RC**	210	2 - 5 - 10	TV-RC**-210
	RC**	410	2 - 5 - 10	TV-RC**-410
	RC**	560	2 - 5 - 10	TV-RC**-560
<b>VELOCITY - TEMPERATURE</b>	CO200	200	-	TVT-CO200
	CO400	400	-	TVT-CO400
	CO550	550	-	TVT-CO550
	RC**	210	2 - 5 - 10	TVT-RC**-210
	RC**	410	2 - 5 - 10	TVT-RC**-410
	RC**	560	2 - 5 - 10	TVT-RC**-560
<b>VELOCITY - TEMPERATURE HUMIDITY</b>	CO180	180	-	TVTU-CO180
	CO280	280	-	TVTU-CO280
	CO380	380	-	TVTU-CO380
	RC**	185	2 - 5 - 10	TVTU-RC**-185
	RC**	285	2 - 5 - 10	TVTU-RC**-285
	RC**	385	2 - 5 - 10	TVTU-RC**-385

RC\*\* = RC02 2 m cable; RC05 5 m cable; RC10 10 m cable



**SATEMA**

13856 VIGLIANO B.SE - Via Milano, 395

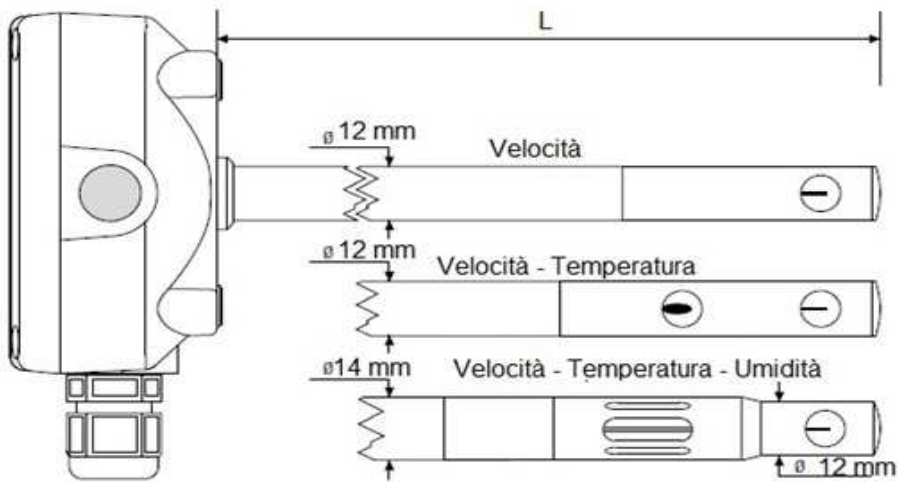
Tel. +39 015811102 - Fax 0158853029

Mail: [info@satema.it](mailto:info@satema.it) <http://www.satema.it>

## DIMENSIONS - VERSIONS

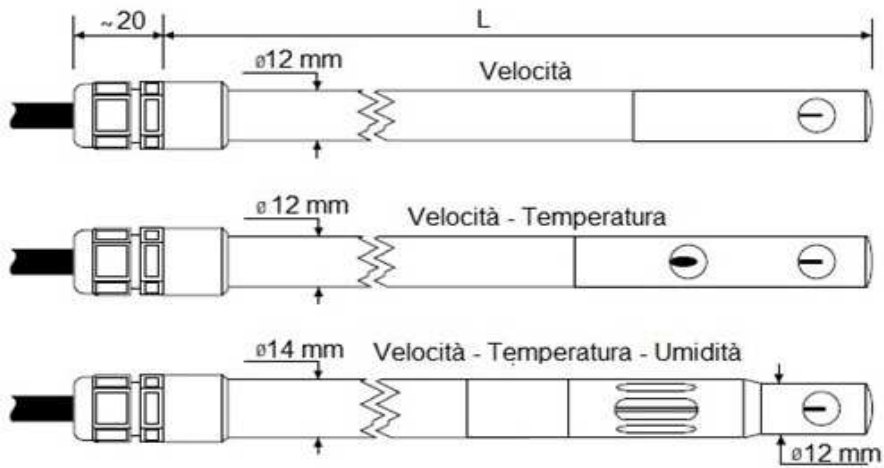
### Versione compatta

### Compact version



### Versione remota con cavo

### Remote version w/cable



**SATEMA**

13856 VIGLIANO B.SE - Via Milano, 395

Tel. +39 015811102 - Fax 0158853029

Mail: [info@satema.it](mailto:info@satema.it) <http://www.satema.it>

## APPLICATION NOTES

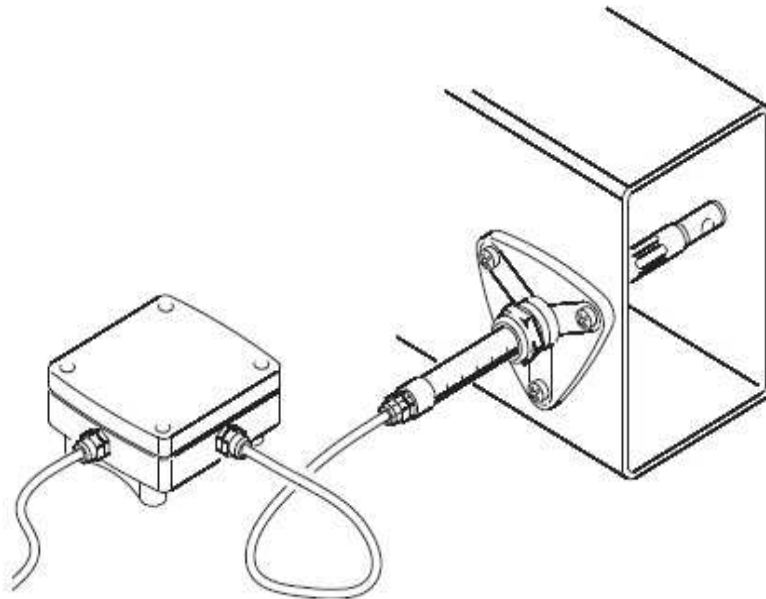
Energy efficiency measures and returns to the valley of the air handling unit (AHU) or neutral gas pretreated at low static pressures.

The measuring points are recommended to be selected in sections upstream, downstream, expulsion and / or renewal outside air.

Separate electronic sensor in IP67 waterproof case by rapid circular connector on the cable connection. Sensor insertion with scale for easy reading of the correct depth of tip position sensitive within the duct, before the final attachment.

The attachment can be made:

- with flange (FLTR code)
- PG16 metal cable gland diameter 10 ... 14 mm
- universal double cone connection 3/8 "



**SATEMA**

13856 VIGLIANO B.SE - Via Milano, 395

Tel. +39 015811102 - Fax 0158853029

Mail: [info@satema.it](mailto:info@satema.it) <http://www.satema.it>