

O2Z6801 IN SITU OXYGEN TRANSMITTER 600... 1200°C

Zirconium Oxide Oxygen Transmitter. Harsh work rate by direct insertion into chimney. Gas temperatures between 600 and 1200°C, up to 1500°C on request. Concentration measurement residual oxygen in the flue gases produced by combustion processes, or the amount of oxygen remained after the complete oxidation of the fuel. Construction materials selected to resist corrosion processes. Calibration in situ enabled, without probe disassembly. Dedicated electronics, also available in ATEX version, for hazardous areas, zone 1, installation according to the directives 94/9 / EC.



ELETRONICA DEDICATA



STANDARD



IP65



ATEX

Applications:

- Check the combustion efficiency in boilers, furnaces and kilns
- Industrial and residential Incinerators
- Annealing and preheating furnaces
- Glassworks
- Exhaust gases

TECHNICAL SPECIFICATIONS

Accuracy: +/- 5% v.m. or 0.05% O2 including linearity; 5% v.m. for fields in ppm
 Zero drift: 2 mV after 12 months under normal conditions of combustion
 Class protection: IP65
 Weight: from 1.5 to 2.5 kg without protection tube

Option	Standard	On request		
Thermocouple TC:	B	K	R	S
Range TC °C:	200...1820	0...1370	0...1700	0...1760

M701 ELECTRONIC

Display: 4 dgt LED
 Supply: 230Vac or 115Vac 50/60Hz
 Dimensions: M701 96x96x185 mm, back panel mounting, standard version
 M701P 265x241x312 mm, wall / panel mounting, transparent door, On the front, IP65 version
 Operative conditions: temperature 0...50°C, humidity 10...90% non-condensing
 Clock: Gregorian, backup c/lithium battery (life 1year without power), accuracy 1sec /month
 Input: from probe O2Z6802
 from sensor TC
 Retransmitted output: 4/20 mA analog isolated, proportional to 100% of the field, 1500V isolation
 Serial Output (Option): RS232C
 Optional Alarms: 1 or 2 configurable alarms
 ATEX Version M701X: II 2 GD EEx d IIC T6 IP65 T85°C Tamb -20 ÷ +60°C, zone 1, 2

Models	M701A	M701B
Working range (2 models with the following configurable range):	0-25%	98-100%
	0-10%	95-100%
	0-5%	90-100%
	0-2%	80-100%
	0-1%	50-100%
	0-1000 ppm	10-100%
	0-100 ppm	0-100%
	free	on request



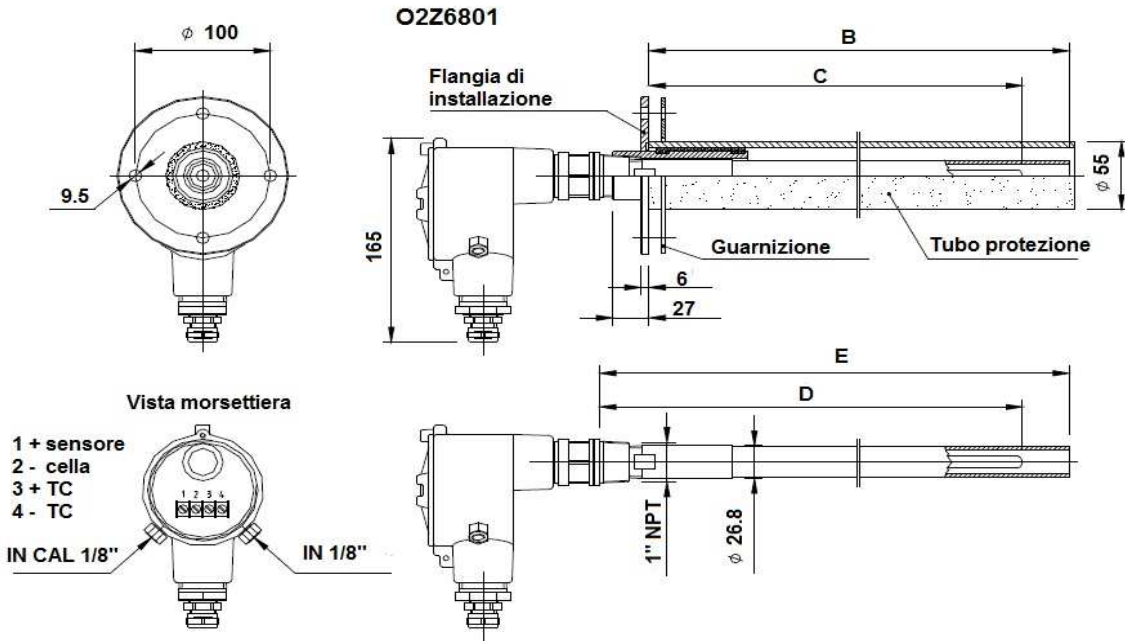
SATEMA

13856 VIGLIANO B.SE - Via Milano, 395

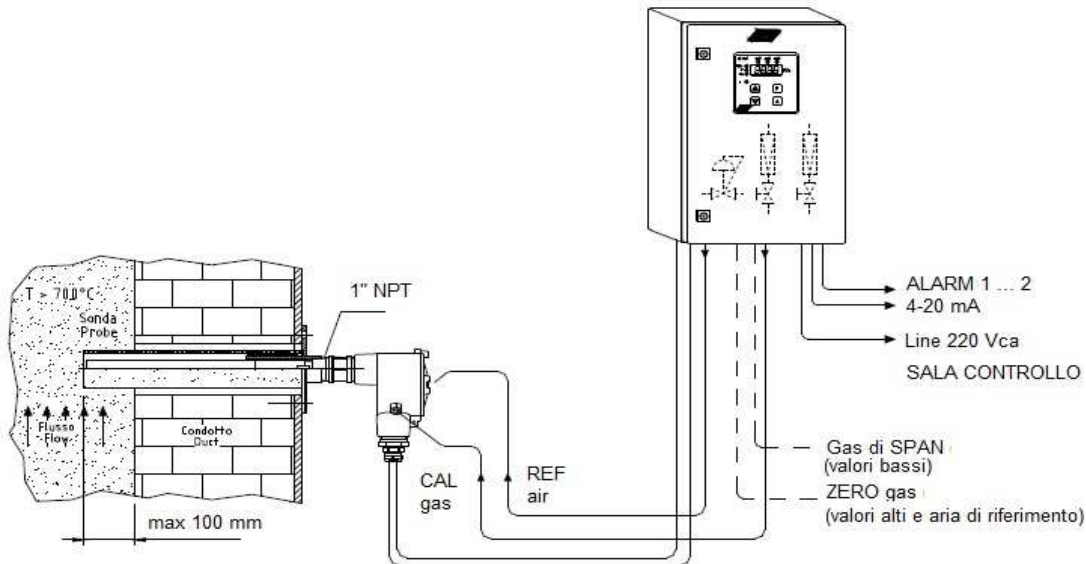
Tel. +39 015811102 - Fax 0158853029

Mail: info@satema.it <http://www.satema.it>

DIMENSIONS



Dimensions mm						
Probe length	A	B	C	D	E	Installation tube code
350	320	316	282	318	353	A42132
500	450	441	402	438	478	A42133
650	620	616	582	618	653	A42134
800	840	835	780	818	873	A42150



SATEMA

13856 VIGLIANO B.SE - Via Milano, 395

Tel. +39 015811102 - Fax 0158853029

Mail: info@satema.it <http://www.satema.it>