

5470 BURKERT - 4/2 ELECTRO-PNEUMATIC VALVE

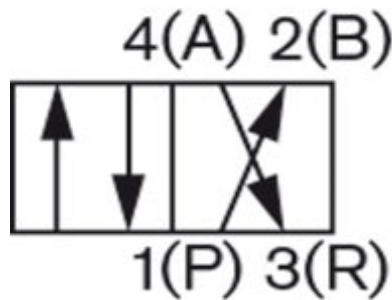
Type 5470 valves consist of a Type 6106 pilot rocker solenoid valve and a pneumatic valve. An armature with a tilt bearing, similar to a rocker, tilts inside the pilot valve body and switches the valve. The minimal tilt movement of the balance wheel is wear-free and basic lubrication is not necessary. Suitable for compressed air, neutral gases (5 µm filtration)

18VDISBUR5470G4G24CC

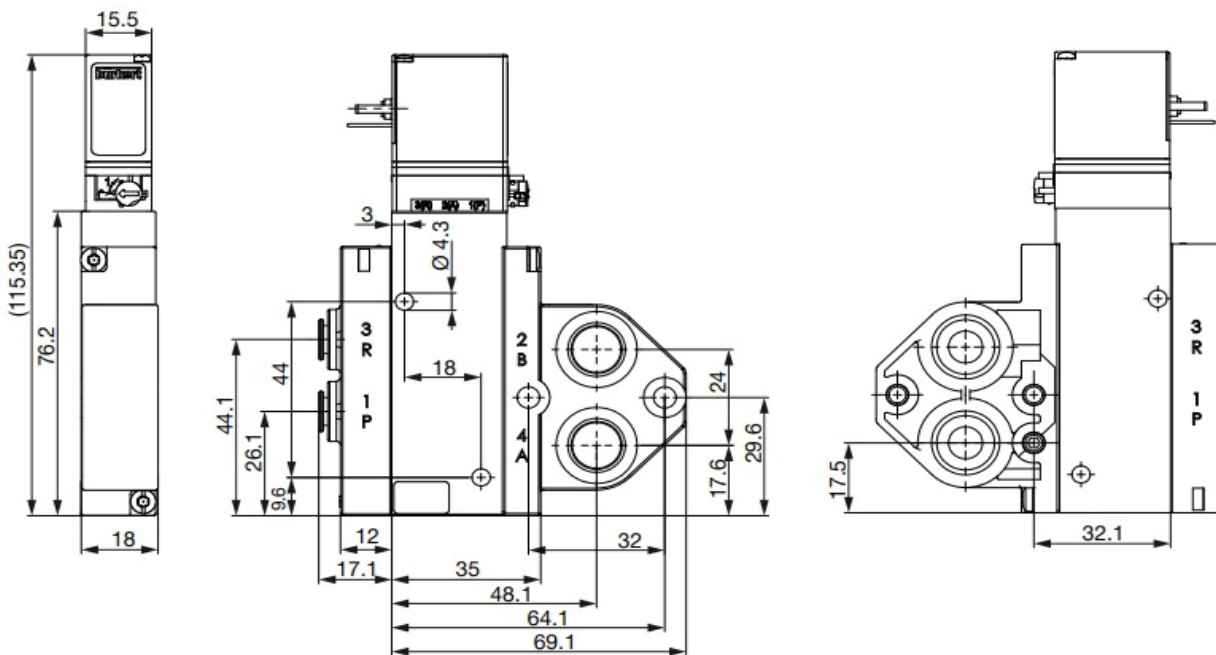
4/2 valve - Namur - 6x4 connections

Function G - Normally open - Input 1 (P) connected to output 2 (B), Output 4 (A) to exhaust 3 @

Body:	Polyamide
Seals:	NBR
Nominal Diameter:	DN 4
Operating pressure:	2...10 bar
Flow:	300 l/min
Connections:	6 mm
Power supply:	24Vdc



5470



SATEMA

13856 VIGLIANO B.SE - Via Milano, 395

Tel. +39 015811102

Mail: info@satema.it

<http://www.satema.it>

470 BURKERT - 3/2 ELECTRO-PNEUMATIC VALVE

470 type - 3/2 valve, pilot operated seat with diaphragm, rocker arm.

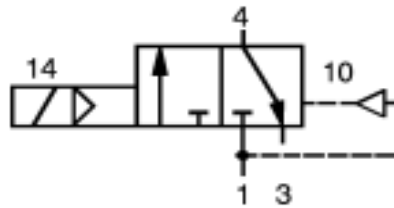
3/2 valve, at rest, outlet 4 to exhaust

18VDISBUR470C124DC

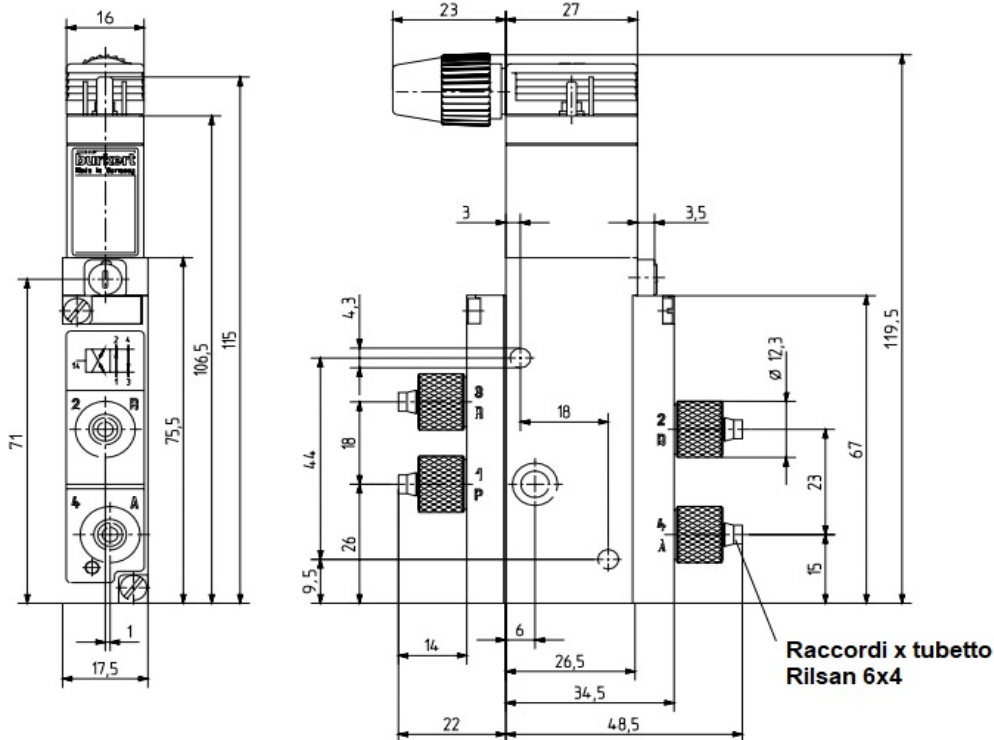
3/2 valve - 6x4 connections

Function G - Normally open - Input 1 (P) connected to output 2 (B), Output 4 (A) to

Body:	Polyamide
Seals:	NBR
Nominal Diameter:	DN 4
Operating pressure:	2...10 bar
Flow:	300 l/min
Connections:	6 mm
Power supply:	24Vdc



470



SATEMA

13856 VIGLIANO B.SE - Via Milano, 395

Tel. +39 015811102

Mail: info@satema.it

<http://www.satema.it>

413 BURKERT - 4/2 ELECTRO-PNEUMATIC VALVE

4-way solenoid valve, internally piloted, in de-energized position with port P connected to port B and port R connected to port A. With manual control

4/2 way valve, when de-energized, pressure port P is connected to port B, port A in exhaust

18V DISBUR41301220

4/2 valve

Function G - Normally open - Input 1 (P) connected to output 2 (B), Output 4 (A) to

Body: Polyamide with incorporated metal inserts

Seals: NBR

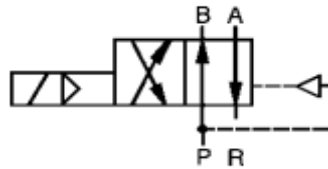
Nominal Diameter: DN 6

Operating pressure: 1...10 bar

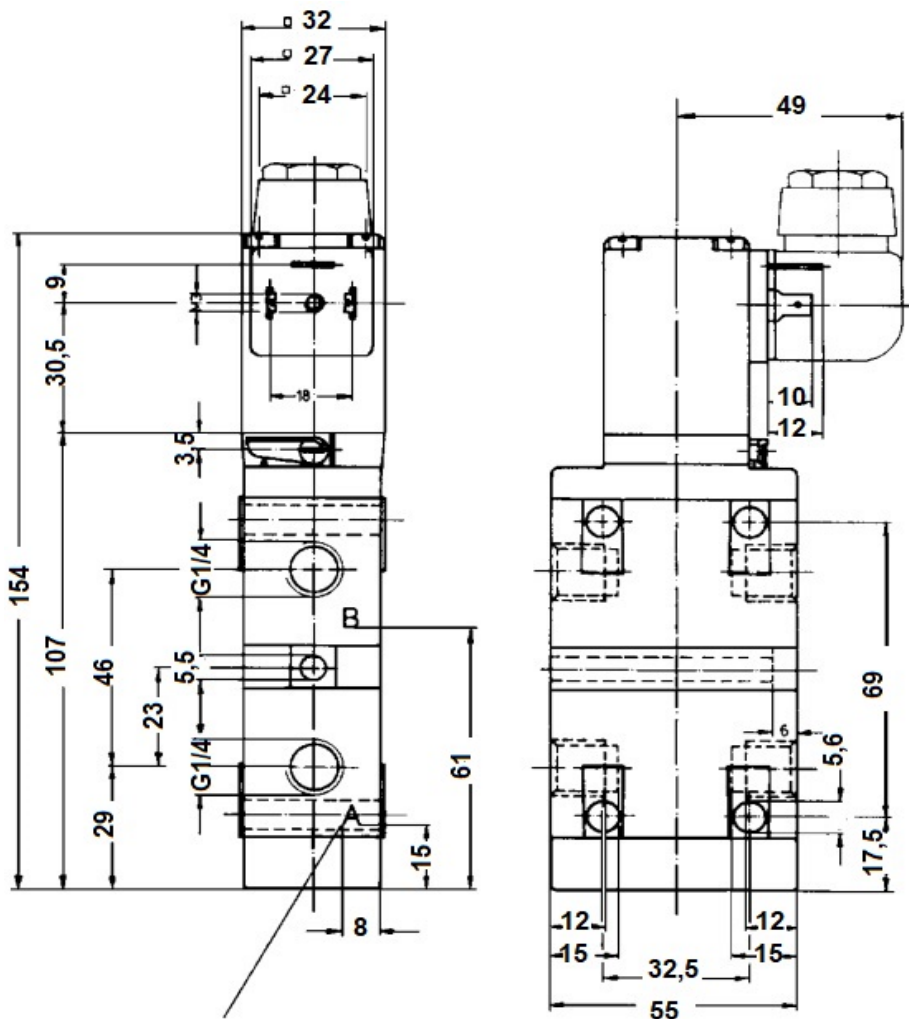
Flow: 900 l/min

Connections: CNOMO

Power supply: 220Vac 50-60Hz 2W



0413



SATEMA

13856 VIGLIANO B.SE - Via Milano, 395

Tel. +39 015811102

Mail: info@satema.it

<http://www.satema.it>

6106 BURKERT - ROCKER 3/2 NC SOLENOID VALVE

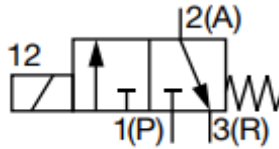
The 6106 type direct acting rocker solenoid valve is suitable for neutral gaseous fluids. The housing is separated from the battery by a stainless steel plate. Used for dosing, filling, mixing and dispensing small quantities of fluid.

18V DISBUR6106-10-24C

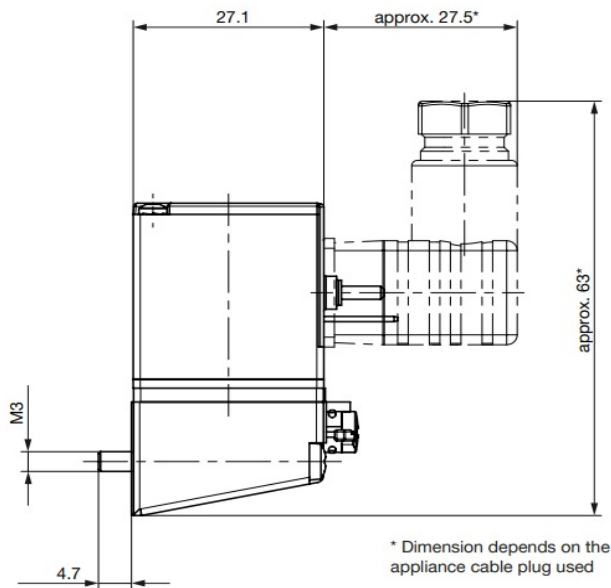
3/2 valve with CNOMO flange

Function C - 3/2 - Direct operation - Normally Closed

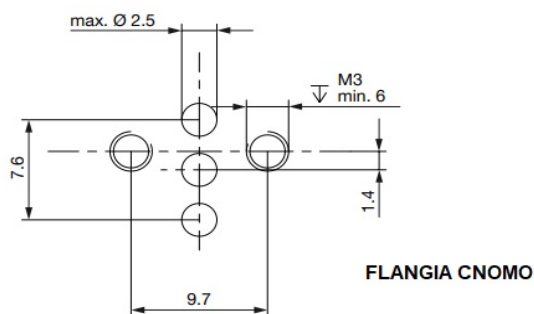
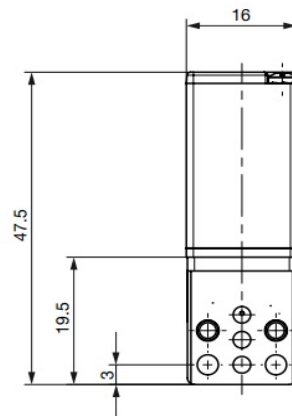
Body:	FKM
Seals:	FKM
Nominal Diameter:	1,2 mm
Operating pressure:	1...10 bar
Flow:	QN 1 -> 2 = 33 l/m; 2-> 3 = 38 l/m
Connections:	1/4"
Power supply:	220Vac 50-60Hz 2W



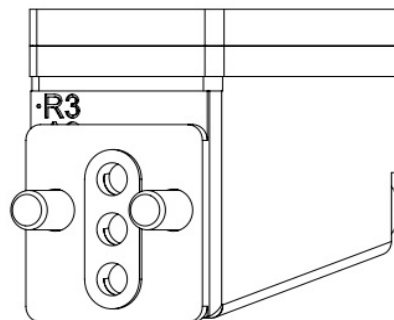
6106C



* Dimension depends on the appliance cable plug used



FLANGIA CNOMO



SATEMA

13856 VIGLIANO B.SE - Via Milano, 395

Tel. +39 015811102

Mail: info@satema.it

<http://www.satema.it>