

18VDISNOR* - NORGREN IN-LINE PNEUMATIC VALVES

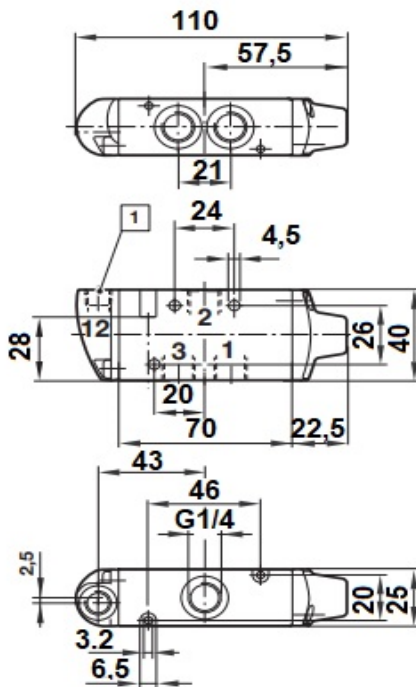
NORGREN IN-LINE PNEUMATIC VALVES V61 - 1/4

Fluid: Compressed air, filtered to 50 • m, lubricated or non-lubricated
 Temperature: -10...+50°C
 Materials: Body/sub-base Aluminium; stainless steel springs;
 NBR/stainless steel seals

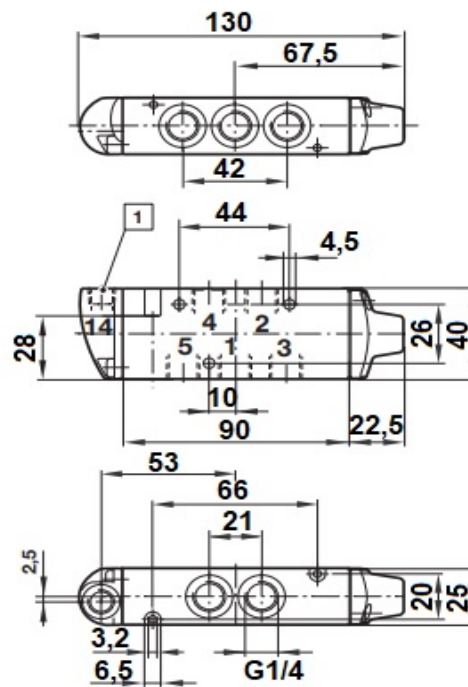


3/2 - 5/2 AIR / SPRING VALVES

Operation / Repositioning	Function	Diameter	Flow l/min	P bar	P pilot bar	Code
Air / Spring	3/2 - NC	1/4"	1300	-0,9...10	2,5...10	V61B4D7A
	5/2 - NC					V61B5D7A



V61B4D7A



V61B5D7A

COIL 22 mm REPLACEMENT V61 SOLENOID CONTROL VALVES

Voltage	Inrush/Hold consumption	Code	Code
24Vdc	2w	QM/48/13J/21	18VDISNORV61-COIL24C
220/240Vac	6/5,0 VA	QM/48/19J/21	18VDISNORV61-COIL220



SATEMA

13856 VIGLIANO B.SE - Via Milano, 395

Tel. +39 015811102

Mail: info@satema.it

<http://www.satema.it>

18VDIS* - NORGREN ELECTRO-PNEUMATIC VALVES

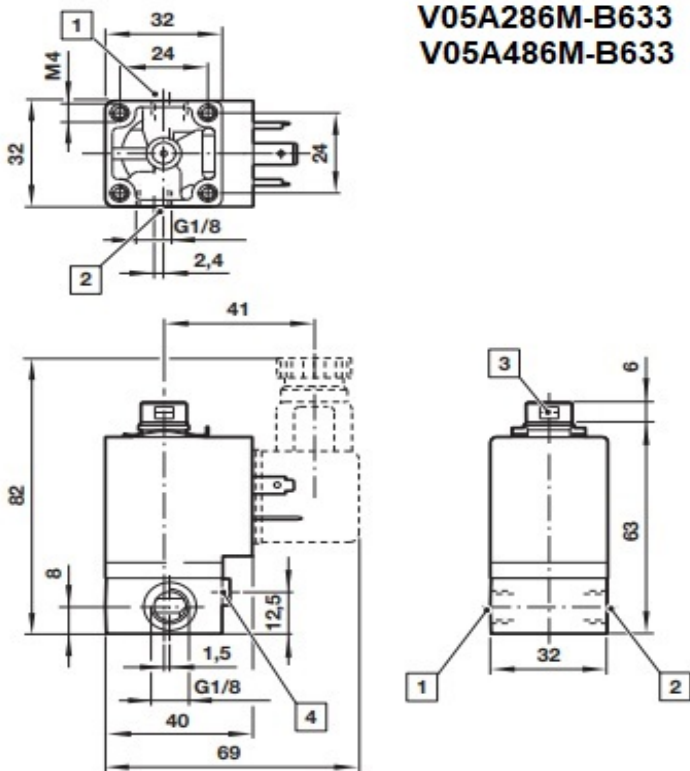
Industrial standard coil 30 mm for EN175-301-803 form A connectors:

Code		Consumption
18VDISNORV61-COIL24CC	24VDC 2W	V04X286A-Q1223 4,5W
18VDISNORV61-COIL24CA	24VAC 50-60Hz 4/2,5 VA	V04X286A-Q1224 14/10 VA
18VDISNORV61-COIL110	110/120VAC 50-60Hz 4/2,5 VA	V04X286A-Q1228 14/10 VA
18VDISNORV61-COIL220	220/240VAC 50-60Hz 6/5 VA	V04X286A-Q1229 14/10 VA



V04

Code		Orifice mm	Connection	Pressure	Flow
18VDISNORV05-2/2NC	V05A286M-B633A	2,5	G1/8"	0-10 bar	190 l/m
18VDISNORV05-3/2NC	V05A486M-B633A				



- 1 Inlet port
- 2 Outlet port
- 3 Port 3 (G1/8) with inserted diffuser
- 4 Manual override

ALUMINUM BASES

2 PLACES	M/P35598/2	18VDISNORV04BASE2P
5 PLACES	400353101	18VDISNORV04BASE5P



SATEMA

13856 VIGLIANO B.SE - Via Milano, 395

Tel. +39 015811102

Mail: info@satema.it <http://www.satema.it>

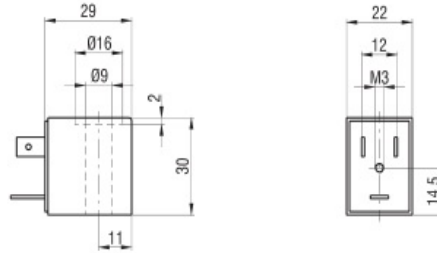
18VDIS* - WAIRCOM 3/2 VALVES ex CNOMO interface

Directly operated solenoid valve with Ø 9 mm shaft for ex Cnomo base

18VDISWAI-C/UECSVB

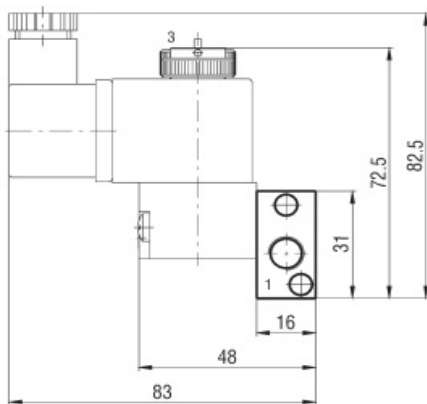
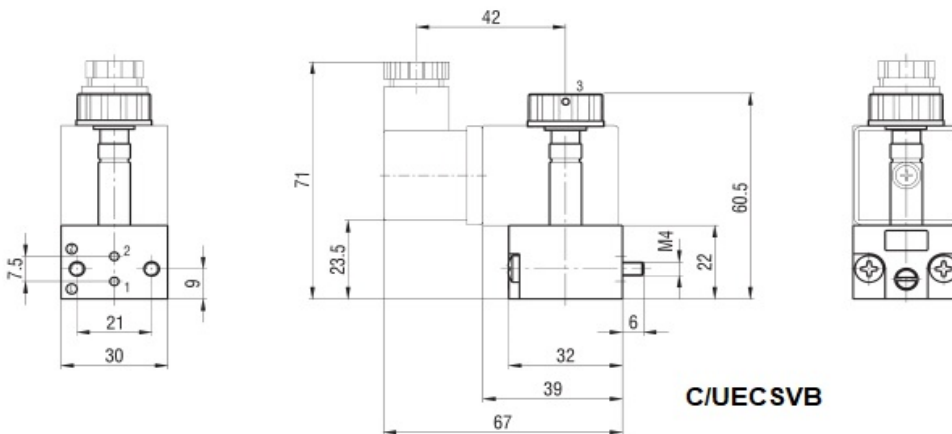
3/2 N.C. Electric/Spring

Flow: 36 NI/min P.A. 6 bar • P = 1 bar



COIL 22 mm

Voltage	Consumption Inrush/Hold	Code	
24Vcc	2w	QM/48/13J/21	18VDISNORV61-COIL24C
220/240Vca	6/5,0 VA	QM/48/19J/21	18VDISNORV61-COIL220



BASE MODULARE ex CNOMO ATTACCHI LATERALI G 1/8 - ELPG8S

Ex CNOMO modular base
with 1/8" side connections



SATEMA

13856 VIGLIANO B.SE - Via Milano, 395

Tel. +39 015811102 - Fax 0158853029

Mail: info@satema.it <http://www.satema.it>