

EPR - PROPORTIONAL SOLENOID VALVE 2/2 N.C.

The direct acting N.C. EPR proportional valves can be used as control valves in industrial processes and for vacuum technology. The valves are equipped with an electronic control that converts the direct control voltage into a PWM pulse modulation signal. This circuit is wired to the connector for direct mounting, or, to a DIN rail for remote installation.

Current or voltage control, optional digital control from PC / PLC with RS232 or RS485 interface.

Materials: Brass or stainless steel, FKM seals

DESCRIPTION

Model	Connection	Kv (water) m ³ / h	Orifice mm.	QNm l/min	Pressure max bar rel
EPR381	1/8"	0,018	0,8	19	16
EPR382	1/8"	0,040	1,2	43	12
EPR383	1/8"	0,060	1,5	65	10
EPR384	1/8" - 1/4"	0,100	2	108	8
EPR385	1/4"	0,150	2,5	162	5
EPR386	1/4"	0,220	3	237	3,5
EPR387	1/4"	0,320	4	345	2
EPR821	3/8"	0,120	2	129	25
EPR822	3/8"	0,250	3	270	10
EPR823	3/8"-1/2"	0,450	4	485	8
EPR824	1/2"	0,800	6	862	4
EPR825	1/2"	1,100	8	1186	2
EPR6408	1/2" - 3/4"	1,400	8	1500	0,7
EPR6410	1/2" - 3/4"	2,000	10	2150	0,4
EPR6412	1/2" - 3/4"	2,800	12	3020	0,2



EPR38



EPR82



EPR64*



SATEMA

13856 VIGLIANO B.SE - Via Milano, 395

Tel. +39 015811102

Mail: info@satema.it

<http://www.satema.it>

TECHNICAL SPECIFICATIONS

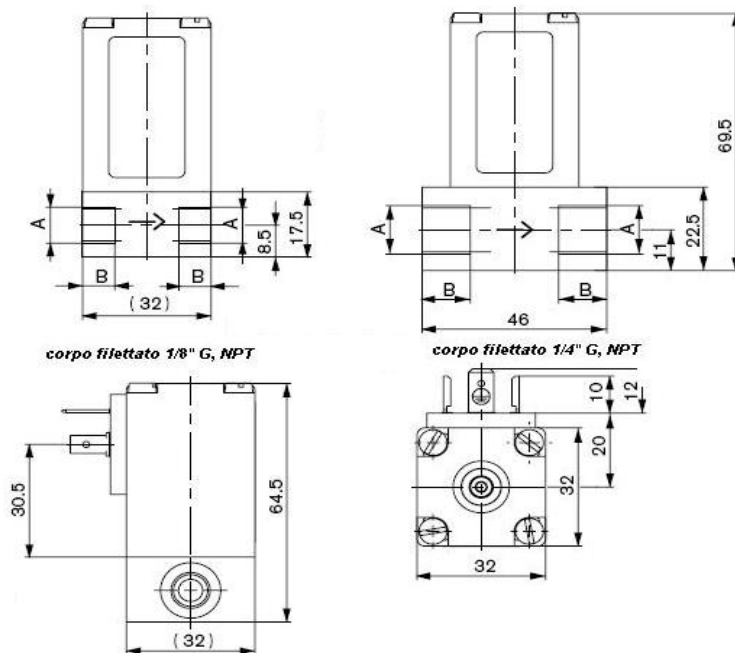
Body material:	Brass or stainless steel
Gasket materials:	FKM, on request EPDM su richiesta
Fluid Temperature:	-10...+90°C
Environment Temperature:	max + 55°C
Viscosity:	max 21 mmq/s
Power supply:	24Vdc, 9W, 100% E.D.
Electrical Connection:	DIN EN 175301-803 form A plug cable
Installation:	preferable with coil up
Response time:	<20ms (10-90%)
Hysteresis:	<5%
Repeatability:	<0,5% f.s. EPR381, <0,25% f.s. EPR82
Sensitivity:	<0,25% f.s.
Resolution range:	1:100
Class Protection:	IP65
Options:	Ex version - II 2G Eex m IIC T4, PTB No 02 ATEX 2094X with/without terminal block, UR, CSA, Degreased version for Oxygen



Features electronic control

Operating voltage :	12-24Vdcc, +/-10%, residual ripple <5%, 1W (without valve)
Valve current output:	max 2A
Input signal:	0-4...20mA, 0...5V, 0...10V configurable
Input impedance:	<200 Ohm (with current input) > 20 kOhm (with voltage input)
Output signal:	for valve PWM frequency signal, adjustable from 80 Hz to 6 kHz
Protection (material):	IP65 plug cable (Polyamide/PC), IP40 DIN rail (Polyamide/PBT)

DIMENSIONS



EPR38



SATEMA

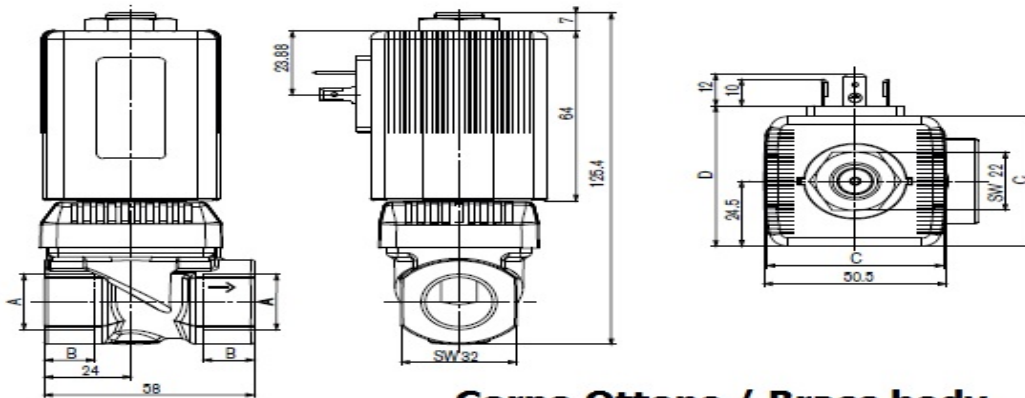
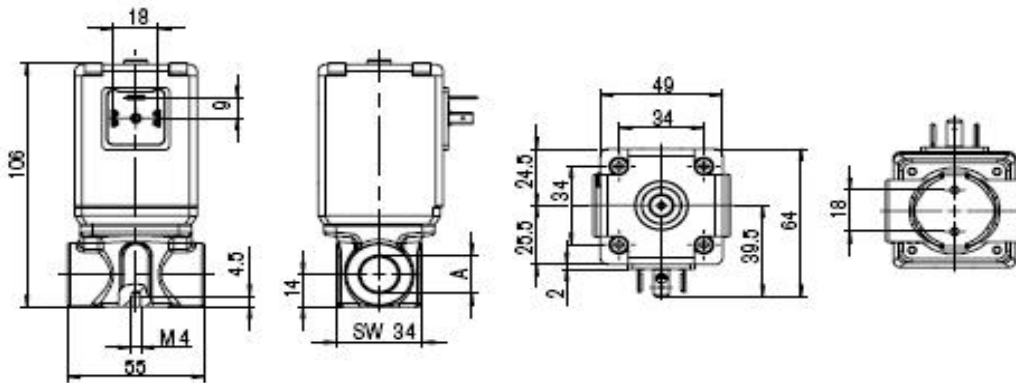
13856 VIGLIANO B.SE - Via Milano, 395

Tel. +39 015811102

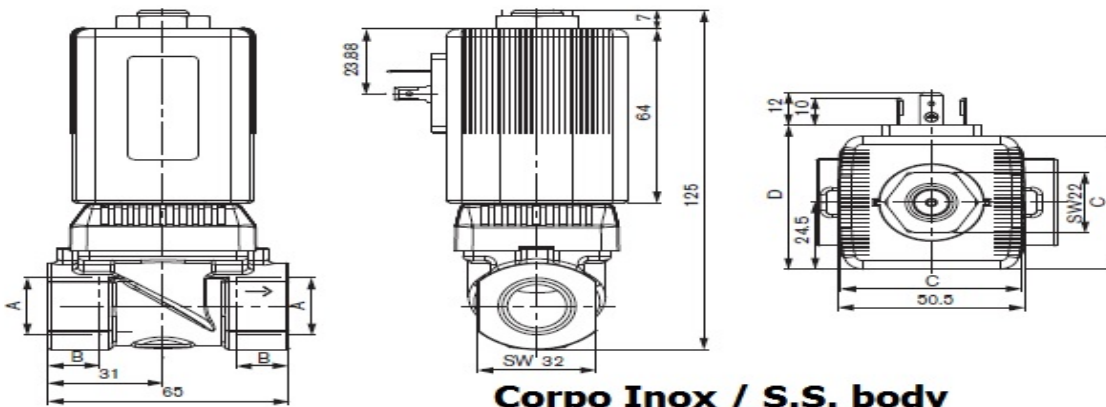
Mail: info@satema.it <http://www.satema.it>

DIMENSIONS

EPR82



Corpo Ottone / Brass body



Corpo Inox / S.S. body

Taglia	B	C	D	Magnete	Consumo A
G1/2"	14	49	53	49 mm	8
G3/4"	16	49	53	49 mm	8



SATEMA

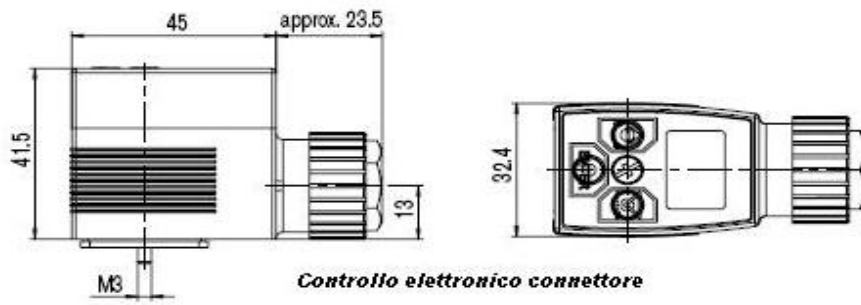
13856 VIGLIANO B.SE - Via Milano, 395

Tel. +39 015811102

Mail: info@satema.it

<http://www.satema.it>

DIMENSIONS



Controllo elettronico connettore

Electronic control connector



SATEMA

13856 VIGLIANO B.SE - Via Milano, 395

Tel. +39 015811102

Mail: info@satema.it

<http://www.satema.it>