

VSR*SM* BRASS BALL VALVES + ON/OFF ELECTRIC ACTUATOR

Shut-off 2-way and 3-way T or L ball valves, brass body for ventilation, heating and air conditioning.

Nominal pressure:

Body:

Ball and spindle:

Spindle seat:

Valve seat:

Fluid temperature:

DPs closing pressure:

Max differential pressure:

Fluid:

Leakage:

	2-way and "T" 3-way	"L" 3-way
Nominal pressure:	PN16	
Body:	nickel-plated brass	
Ball and spindle:	stainless steel	chrome plated brass
Spindle seat:	EPDM O-ring	
Valve seat:	PTFE, EPDM O-ring	
Fluid temperature:	-10-120°C	-10-100°C
DPs closing pressure:	1400 kPa	500 kPa
Max differential pressure:	1000 kPa	350 kPa
Fluid:	Hot and cold water with max 50% glycol volume	
Leakage:	Leakage rate A, tight (EN 12266-1); 3-way T, port A - AB: leakage rate A, air-tight (EN 12266-1), bypass B - AB: leakage class I (EN 1349 and EN 60534-4) max. 1% of the kvs value	



3-way ball valve + SMLFR24 actuator

TECHNICAL SPECIFICATIONS

Shut-off ball valves features

DN	Rp	2-way	3-way "T"	kvs m ³ /h	DN	Rp	3-way "L"	kvs m ³ /h
15	1/2"	VSR215	VSR315	15.00	15	1/2"	VSR315L	5.50
20	3/4"	VSR220	VSR320	32.00	20	3/4"	VSR320L	11.00
25	1"	VSR225	VSR325	26.00	25	1"	VSR325L	10.00
					32	1*1/4	VSR330L	9.00
32	1*1/4	VSR232	VSR332	32.00	32	1*1/4	VSR332L	15.00
					40	1*1/2	VSR339L	14.00
40	1*1/2	VSR240	VSR340	31.00	40	1*1/2	VSR340L	47.00
					50	2"	VSR349L	24.00
50	2"	VSR250	VSR350	49.00	50	2"	VSR350L	75.00

Electric actuator choice

2 way	3-way "T"	90° - 90 seconds			90° - 9 seconds		
		SMRLR*	SMRNR*	SMRSR*	SMLFR24	SMLFR28	SMLFR36
VSR215	VSR315	XX	XX	XX	XX	XX	XX
VSR220	VSR320	XX	XX	XX	XX	XX	XX
VSR225	VSR325	XX	XX	XX	XX	XX	XX
VSR232	VSR332	-	XX	XX	-	XX	XX
VSR240	VSR340	-	XX	XX	-	XX	XX
VSR250	VSR350	-	-	XX	-	-	XX
3-way "L"		SMRLR*	SMRNR*	SMRSR*	SMLFR24	SMLFR28	SMLFR36
VSR315L		XX	XX	XX	XX	XX	XX
VSR320L		XX	XX	XX	XX	XX	XX
VSR325L		XX	XX	XX	XX	XX	XX
VSR330L		XX	XX	XX	XX	XX	XX
VSR332L		-	XX	XX	-	XX	XX
VSR339L		-	XX	XX	-	XX	XX
VSR340L		-	-	XX	-	-	-
VSR349L		-	XX	XX	-	-	XX
VSR350L		-	-	XX	-	-	-

For technical specifications refer data-sheet 12_044en: ON-OFF PART TURN ELECTRIC ACTUATORS



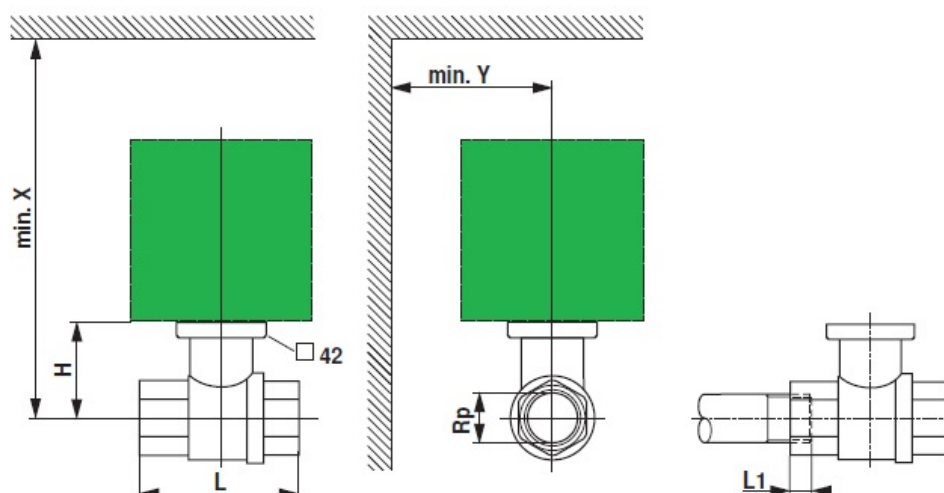
SATEMA

13856 VIGLIANO B.SE - Via Milano, 395

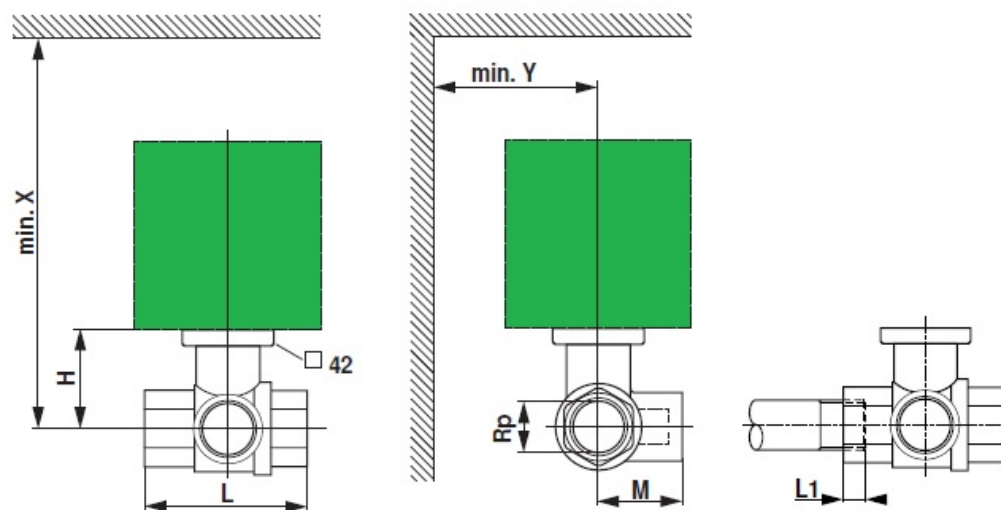
Tel. +39 015811102 - 015510156 - Fax 0158853029

Mail: info@satema.it <http://www.satema.it>

DIMENSIONS mm



2-way	Rp	L	L1	H	X	Y	Weight kg
VSR215	1/2"	67	13	44	230	90	0.24
VSR220	3/4"	78	14	46	235	90	0.42
VSR225	1"	87	16	46	235	90	0.5
VSR232	1"1/4	105	19	50.5	240	90	0.85
VSR240	1"1/2	111	19	50.5	240	90	0.91
VSR250	2"	125	22	56	245	90	1.35



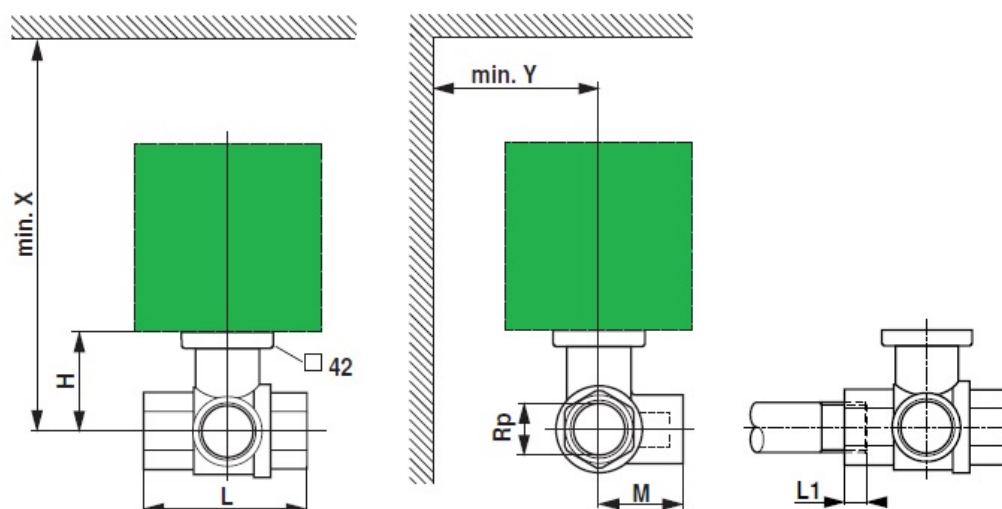
3-way "T"	Rp	L	L1	M	H	X	Y	Weight kg
VSR315	1/2"	67	13	36	44	230	90	0.27
VSR320	3/4"	78	14	41.5	46	235	90	0.46
VSR325	1"	87	16	45	46	235	90	0.6
VSR332	1"1/4	105	19	55.5	50.5	240	90	0.92
VSR340	1"1/2	111	19	56	50.5	240	90	1.2
VSR350	2"	125	22	68	56	245	90	1.8



SATEMA

13856 VIGLIANO B.SE - Via Milano, 395
 Tel. +39 015811102 - 015510156 - Fax 0158853029
 Mail: info@satema.it <http://www.satema.it>

DIMENSIONS mm



3-way "L"	Rp	L	L1	M	H	X	Y	Weight kg
VSR315L	1/2"	67	13	36	44	230	90	0.45
VSR320L	3/4"	78	14	41.5	46	235	90	0.6
VSR325L	1"	87	16	45	46	235	90	0.9
VSR330L	1"1/4	105	19	55.5	46	240	90	1.2
VSR332L	1"1/4	105	19	55.5	50.5	240	90	1.3
VSR339L	1"1/2	111	19	56	50.5	240	90	1.5
VSR340L	1"1/2	122	19	66.5	62	250	90	1.8
VSR349L	2"	125	22	68	56	245	90	2.4
VSR350L	2"	142	22	79	68	262	90	2.8



SATEMA

13856 VIGLIANO B.SE - Via Milano, 395
 Tel. +39 015811102 - 015510156 - Fax 0158853029
 Mail: info@satema.it <http://www.satema.it>