

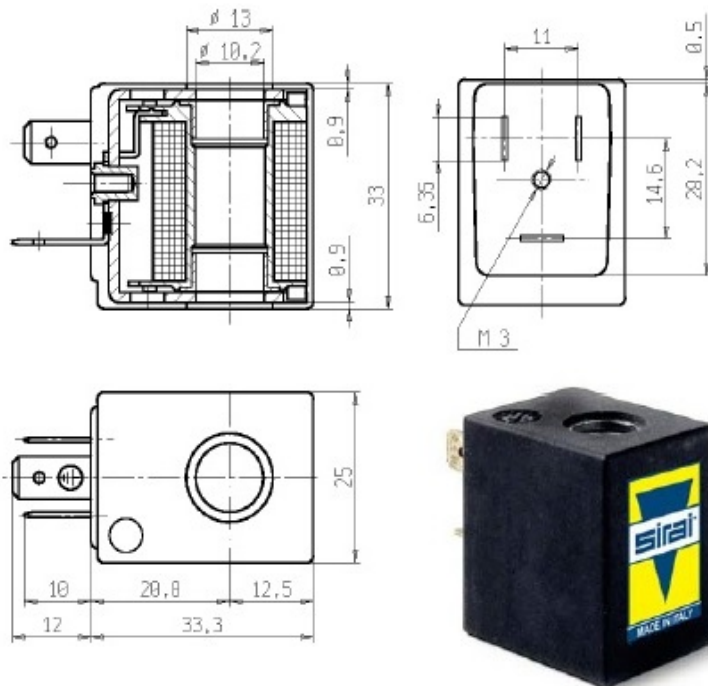
SIRAI - SPARE COIL

Z610A - Z614A (ex Z723 - Z734)

Continuous duty: ED100%

Insulation class: Z610A: F (155°C), Z614A: H (180°C)

Protection: IP65 with connector



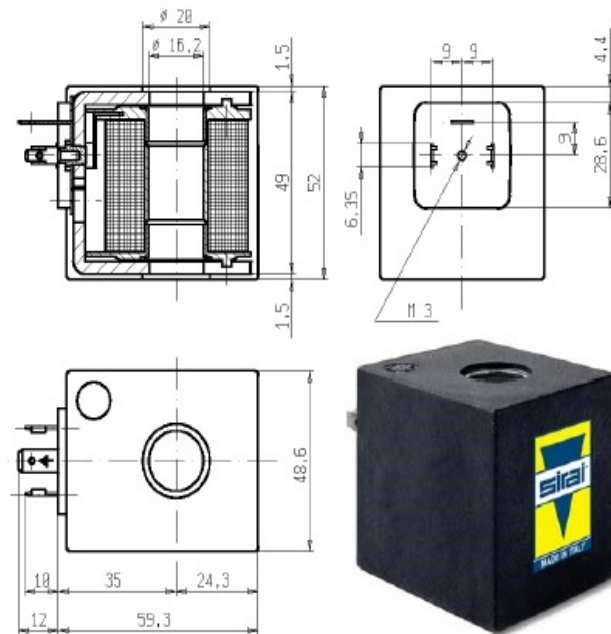
Available voltages	
CA 50-60Hz 16VA Inrush 10VA Hold	CC 6W
48V	12V
110V	

Z923A (ex Z914A)

Continuous duty: ED100%

Insulation class: H (180°)

Protection: IP65 with connector



Available voltages	
CA 50-60Hz 50VA Inrush 27VA Hold	
24V	
110V	



SATEMA

13856 VIGLIANO B.SE - Via Milano, 395

Tel. +39 015811102

Mail: info@satema.it

<http://www.satema.it>

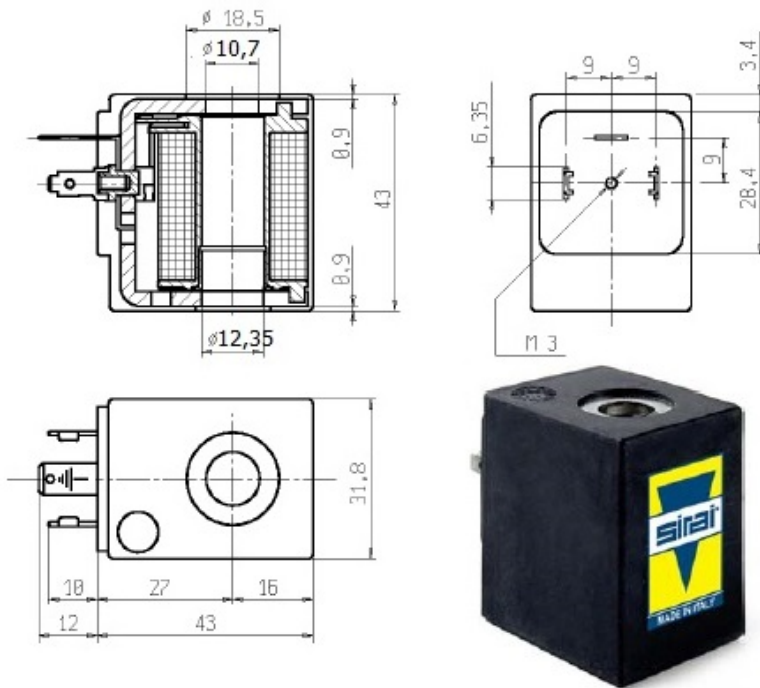
SIRAI - COIL RICAMBIO

Z530A - Z534A

Continuous duty: ED100%

Insulation class: Z530A: F (140°C), Z534A: H (165°C)

Protection: IP65 with connector



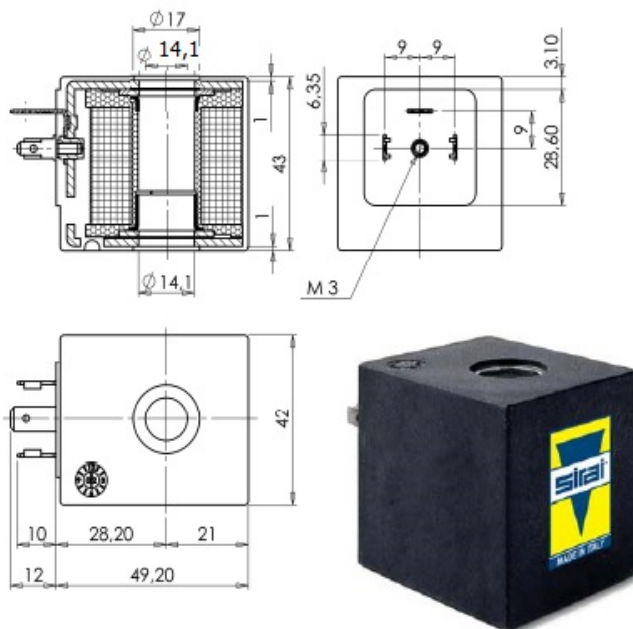
Available voltages	
CA 50-60Hz 23VA Inrush 14VA Hold	CC 9W
24V	12V
110V	24V
230V	

Z130A - Z134A (EX Z114A)

Continuous duty: ED100%

Insulation class: Z530A: F (140°C), Z534A: H (165°C)

Protection: IP65 with connector



Available voltages	
CA 50-60Hz 44VA Inrush 24VA Hold	
24V	



SATEMA

13856 VIGLIANO B.SE - Via Milano, 395

Tel. +39 015811102

Mail: info@satema.it

<http://www.satema.it>