

EX-T** ATEX CERTIFIED TRANSDUCERS

Wide range of HVAC sensors and transmitters for explosion proof applications in hazardous zones 1, 2, 21, 22. They do not require intrinsically safe wiring circuits or modules added in the control panel. Selectable outputs 0 / 10V DC or 4/20 mA. Adjustable span. All parameters can be configured in the field without measuring instruments and / or special tools.



ATEX certified

II2 (1) G Ex and ma [ia] IIC T6

II2(1) D Ex tD A21 [iad] IP66 T80°C



Ex-P

EX-TTU	Temperature and humidity transducer		
	Connectable sensors:		
Model	Variable	Range	Use
EX-T50	Temperature	-40...+80°C (T90 20s)	Ambient/Duct
EX-T100		-40...+125°C (T90 20s)	Duct
EX-T150		-40...+125°C (T90 20s)	Duct
EX-T200		-40...+125°C (T90 20s)	Duct
EX-U50	Humidity	0...100%RH (T90 4s)	Ambient/Duct
EX-U100			Duct
EX-U150			Duct
EX-U200			Duct
EX-CTU50	Temperature Humidity combined	-40...+80°C - 0/100%RH	Ambient/Duct
EX-CTU100		-40...+125°C - 0/100%RH	Duct
EX-CTU150		-40...+125°C - 0/100%RH	Duct
EX-CTU200		-40...+125°C - 0/100%RH	Duct

Option: extension sensor temperature / humidity / combined (remote), cable m 3



sonda ambiente

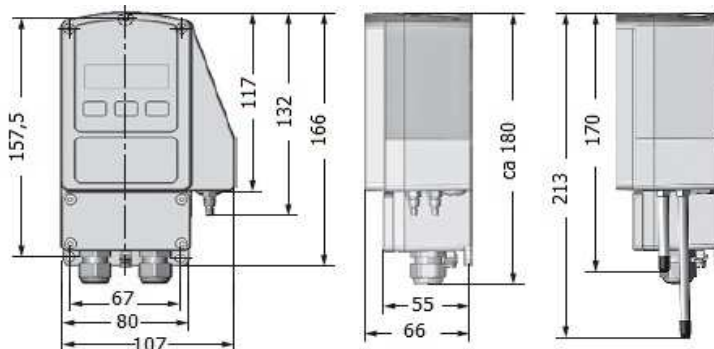


sonda da canale



prolunga 3 mt.

EX-TP Sensor pressure transducer					
Model	Max adjustable range Pa	Min adjustable range Pa	Max overload protection Pa		
EX-P100	+/- 100 Pa	+/- 20 Pa	25000		
EX-P250	+/- 250 Pa	+/- 50 Pa	25000		
EX-P500	+/- 500 Pa	+/- 100 Pa	50000		
EX-P1250	+/- 1250 Pa	+/- 250 Pa	50000		
EX-P2500	+/- 2500 Pa	+/- 500 Pa	50000		
EX-P5000	+/- 5000 Pa	+/- 1000 Pa	75000		
EX-P7500	+/- 7500 Pa	+/- 1500 Pa	120000		



SATEMA

13856 VIGLIANO B.SE - Via Milano, 395

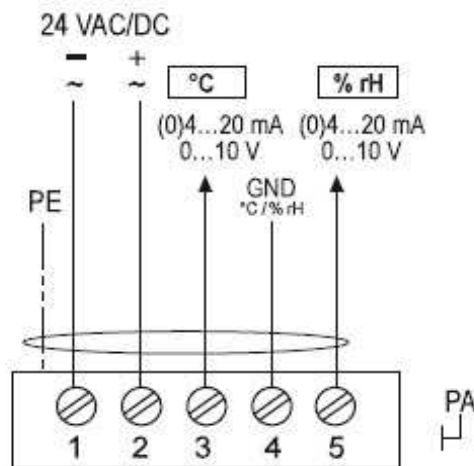
Tel. +39 015811102 - Fax 0158853029

Mail: info@satema.it <http://www.satema.it>

EX-TTU - TECHNICAL SPECIFICATIONS

Power supply:	24V ac/dc +/-20% (19.2...28.8 V ac/dc) 50...60 Hz
Power consumption:	150 mA, about 4W, internal fuse 500 mA, without bracket, not removable
Galvanic isolation:	power supply and analog output 1,5 kV (Ex 60V)
Electrical connection:	0.14 ... 2.5 mm ² to the box integrated Ex-e
Cable input:	M16x1.5 mm Ex-e comply, 5...10 mm cable diameter
Protection class:	Class I
Display:	2x16 digits, dot-matrix backlit
Configuration:	by 3 keys
Enclosure Protection:	IP66 according to IEC 60529
Enclosure material:	painted aluminum
Environmental conditions:	-20...+50°C -0/95%rH not condensing
Sensor connection:	front or back connector (ambient or duct)
Response time:	T90 1s
Temperature accuracy:	+/- 0.2% f.s. + sensor accuracy 0.3°C @ 25°C +/- 0.025°C/°C
Humidity accuracy:	+/- 0.2% f.s. + sensor accuracy 10/90%RH +/- 2% and <10%RhiH +/- 4% + 1% hysteresis
Non-linearity & hysteresis:	+/- 0.1% final value
Delay start:	5 s
Selectable outputs:	from 0/10 Vcc > 1 kOhm, influence <0.05% / 100 Ohm from 0/20 mA, < 500 Ohm, influence < 0.1% / 100 Ohm,
Sensors:	L = 50 mm = plastic, temperature 80°C; L = 100 ... 200 = stainless steel 1.4305
Filter element:	for humidity probes, porous filter 100 micron
Explosion Proof:	PTB 07 ATEX 2061, directive 94/9/EC (ATEX) GAS approval IIC (1) G Ex and ma [ia] IIC 1 zone 1, 2 DUST approval IIC(1) D Ex tD A21 [iad] IP66 T80°C zone 21, 22 ID EC No. 0158 EMC 2004/108/EC 2006/95/EC Low Voltage Directive IP66 EN 60529 protection Potential compensation terminal 4 mm ² external PA about 950 gr.

Weight



Schema elettrico EX-TTU

EX-TTU Wiring diagram



SATEMA

13856 VIGLIANO B.SE - Via Milano, 395

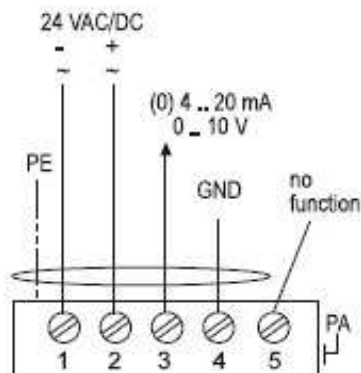
Tel. +39 015811102 - Fax 0158853029

Mail: info@satema.it <http://www.satema.it>

EX-TP - TECHNICAL SPECIFICATIONS

Power supply:	24V ac/dc +/-20% (19.2...28.8 Vac/dc) 50...60 Hz
Power consumption:	150 mA, about 4W, internal fuse 500 mA, without bracket, not removable
Galvanic isolation:	power supply and analog output 1,5 kV (Ex 60V)
Electrical connection:	0.14 ... 2.5 mm ² to the box integrated Ex-e
Cable input:	M16x1.5 mm Ex-e comply, 5...10 mm cable diameter
Protection class:	Class I
Display:	2x16 digits, dot-matrix backlit
Configuration:	by 3 keys
Enclosure Protection:	IP66 according to IEC 60529
Enclosure material:	painted aluminum
Environmental conditions:	-20...+50°C -0/95%rH not condensing
Sensor response time:	T90 5s
Pressure accuracy:	+/- 1%, max 2% reading value +/- 1 Pa
Non-linearity & hysteresis:	+/- 0.05%, max 0.25% final value
Delay start:	5 s
Selectable outputs:	from 0/10 Vdc > 1 kOhm, influence < 0.05% /100 Ohm from 0/20 mA, < 500 Ohm, influence < 0.1% / 100 Ohm,
Sensor:	Internal, piezoresistive
Pressure connection:	P+ / P- = 4x6 mm fittings
Zero Setpoint:	menu, mechanical short circuit (autozero)
Explosion Proof:	PTB 07 ATEX 2061, directive 94/9/EC (ATEX) GAS approval IIC (1) G Ex and ma [ia] IIC 1 zone 1, 2 DUST approval IIC(1) D Ex tD A21 [iad] IP66 T80°C zone 21, 22 ID EC No. 0158 EMC 2004/108/EC 2006/95/EC Low Voltage Directive IP66 EN 60529 protection Potential compensation terminal 4 mm ² external PA about 950 gr.

Weight:



Schema elettrico

EX-TP Wiring diagram



SATEMA

13856 VIGLIANO B.SE - Via Milano, 395

Tel. +39 015811102 -Fax 0158853029

Mail: info@satema.it <http://www.satema.it>