

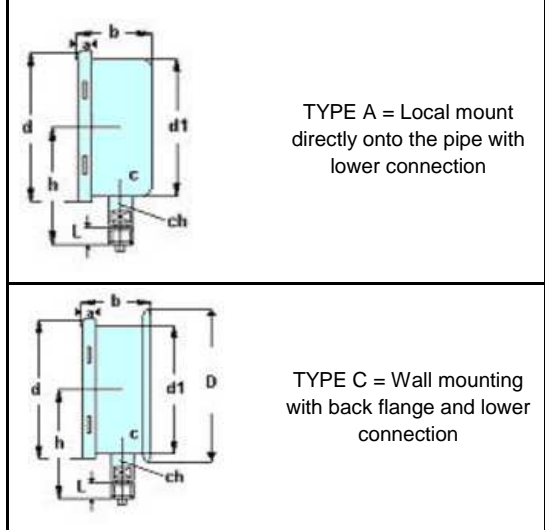
MI-MIG - STAINLESS STEEL GAUGE BOURDON

MI - Manometers designed for the petrochemical industry, food, pharmaceutical, textile, etc.

MIG - With glycerine filling for plants subject to vibration: presses, hydraulic power units, turbines, etc.

DESCRIPTIONS

Fitting and spring:	S.S. 316
Bourdon:	stainless steel
Housing, ring:	S.S. 304
Indication hand:	steel balanced with zeroing
Bottom dial:	whit Aluminum with black gradation and numbering
Seals, vent cap:	polychloroprene rubber
Transparent:	Glass, thickness 4 mm (DN 100/150)
Protection:	IP55
Ambient Temperature:	-30...+60°C
Max Fluid Temperature:	+ 300°C w/out glycerin + 65°C with glycerin
Accuracy:	class 1 DN100 / 150
Overpressure:	25% v.f.s. up to 100 bar 15% f.s.v over 100 bar
Welding:	316 Argonarc



Type A - B - C - D- E dimensions (approximate)

DN	a	b	b1	d	d1	h	D (A-C type)	D (B-D-E type)
100	13	48.5	52.6	110.6	101	86	130	152
150	15	50,5	54	161	150	118	190	190

<p>TYPE D = Local mount directly onto the pipe; back connection, eccentric</p>	<p>TYPE E = Panel Mount; with front flange back connection</p>	<p>TYPE B = For flush mounting; bracket with back connection</p>
--	--	--

Range bar

Gauges	0...1	0...1,6	0...2,5	0...4	0...6
	0...10	0...16	0...25	0...40	0...60
	0...100	0...160	0...250	0...400	0...600
Vacuum Gauges	-1...0 bar				
	-76...0cmHg				
Compound gauges	-1...0,6	-1...1,5	-1...3	-1...5	-1...9
	-1...15	-1...25			



SATEMA

13856 VIGLIANO B.SE - Via Milano, 395

Tel. +39 015811102 - Fax 0158853029

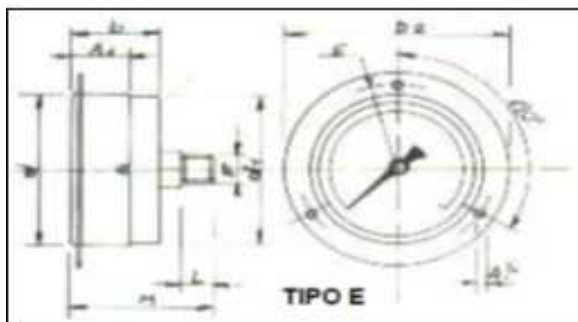
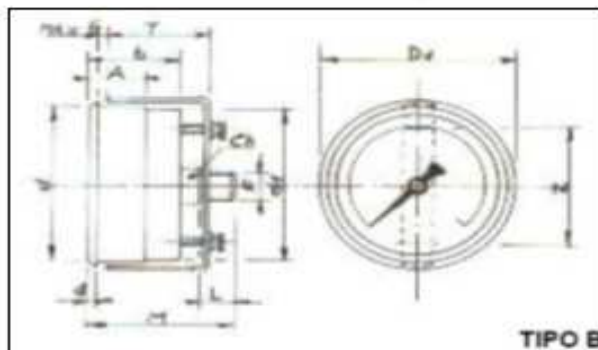
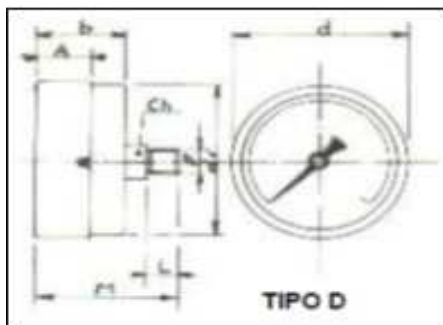
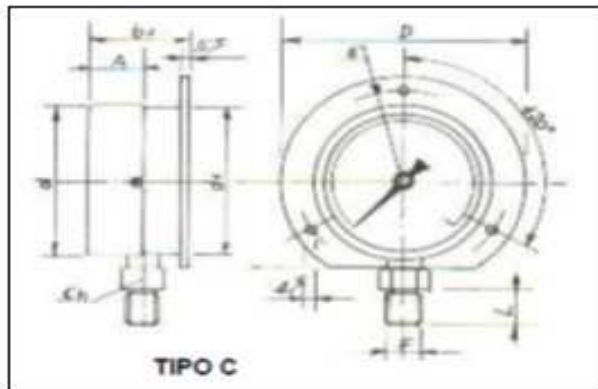
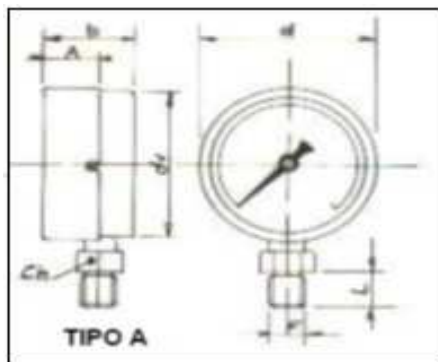
Mail: info@satema.it <http://www.satema.it>

MIP - LOW PRESSURE CAPSULE GAUGE

Capsule gauges, Ø 63, 100, 150 dial, to measure fumes discharges and gas depressions at very low pressures and depressions. Version made in painted black steel or stainless steel. Reference standard EN 837-3. IP 32 to IEC 529.

Range: from -25 mbar (vacuum gauge) up to 1000 mbar relative pressure
 Precision class: $\pm 1.6\%$
 Temperature: -20+60°C ambient ; max 60°C fluid
 Operative pressure: 75% F.S.value (max 15 min); impermissible overpressure

Housing:	Ring	Dial	Hand indic.	Transparent	Element	Connection
black paint steel	chrome steel	aluminum, white background black graduations numbers	Black aluminum	glass, EPDM gasketed	bronze capsule. Brass movement.	brass OT 58



SATEMA

13856 VIGLIANO B.SE - Via Milano, 395

Tel. +39 015811102 - Fax 0158853029

Mail: info@satema.it <http://www.satema.it>

MIP - LOW PRESSURE CAPSULE GAUGE - dimensions

DN TYPE	DN63		DN100		DN150	
	A - C	B - D - E	A - C	B - D - E	A - C	B - D - E
F	1/4"	1/4"	1/2"	1/2"	1/2"	1/2"
L	12	12	20	20	28	28
A	17	17	14	14	16	16
A1	-	20	-	28	-	30
b	35	35	41,5	41,5	53	53
b1	36	-	46	-	59	-
d	64	64	100,5	100,5	150	150
d1	62	62	99	99	149	149
D	85	85	128	128	195	180
E	75	75	116	116	172	164
M	-	52	-	86	-	89
N	-	44	-	75	-	125
T	-	37	-	50	-	45
ch	14	14	22	22	22	22



SATEMA

13856 VIGLIANO B.SE - Via Milano, 395

Tel. +39 015811102 - Fax 0158853029

Mail: info@satema.it <http://www.satema.it>