

PDBL DIFFERENTIAL AIR PRESSURE SWITCH

Switches for controlling the differential pressure of non-corrosive and non-flammable air and gas. Alarm signal to the switching point. For use in domestic, commercial or industrial in air conditioning and ventilation.



Applications

- Filter clogging Control
- Proper operation filters Check
- Pressure and overpressure control
- Battery's interruption in the absence of air

DESCRIPTIONS

Model	Range mbar	Differential mbar	Max pressure mbar
PDBL-106	0.2...3.0	0.1	50
PDBL-106A	0.5...5.0	0.2	50
PDBL-106B	1...10	0.4	50
PDBL-106C	5...20	1	50
PDBL-106D	10...50	2.5	50
PDBL-205A	0.4...2.0	0.2 +/-15%	50
PDBL-205B	0.5...5.0	0.2 +/-15%	50
PDBL-205D	2...10	1.0 +/-15%	50
PDBL-205E	5...25	1.5 +/-15%	50
PDBL-205F	0.2...2.0	0.1 +/-15%	50

TECHNICAL SPECIFICATIONS

Contact:	to VDE 0630 (EN1854) PDBL-1: 1 x SPDT switch PDBL-2: micro switch with changeover contact
Contact capacity:	PDBL-1: 5 (0.8) A, 250 Vca - PDBL-2: 1.5 (0.4) A, 250 Vca
Differential:	fixed (see description)
Work temperature:	PDBL-1: -30...+85°C - PDBL-2: -20...+85°C
Max pressure:	PDBL-1: 75 mbar (< 75°C); 50 mbar (> 75°C) - PDBL-2: 50 mbar
Membrane:	silicon (LSR for models PDP-1)
Storage temperature:	-30...+85°C
Housing:	synthetic material
Protection:	IP54
Process connection:	6.0 mm for PVC pipe 5 x 8 mm.
Electrical connections:	P1 for high pressure or low depression - P2 for low pressure or high depression PDBL-1: increasing differential pressure, closes 1-3 contacts and opens 1-2 contacts PDBL-2: increasing differential pressure, closes 2-3 contacts and opens 1-3 contacts



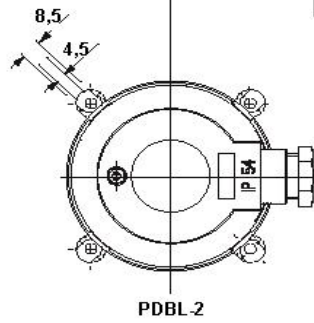
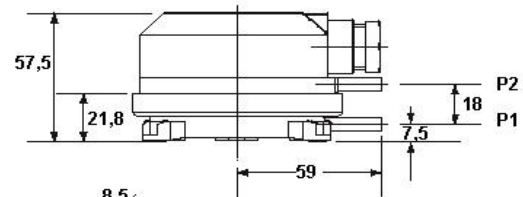
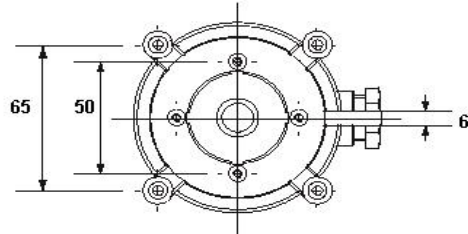
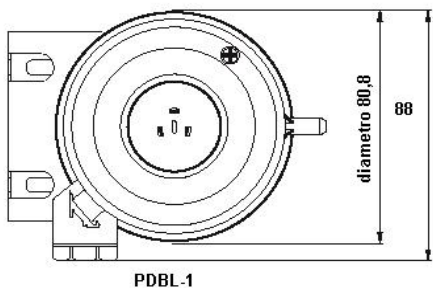
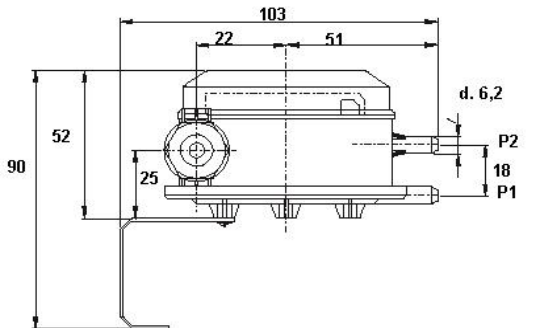
SATEMA

13856 VIGLIANO B.SE - Via Milano, 395

Tel. +39 015811102 - Fax 0158853029

Mail: info@satema.it <http://www.satema.it>

DIMENSIONS



SATEMA

13856 VIGLIANO B.SE - Via Milano, 395

Tel. +39 015811102 - Fax 0158853029

Mail: info@satema.it <http://www.satema.it>