

101DP* ULTRASONIC LEVEL TRANSMITTER

Ultrasonic transmitter for non-contact level measurement of liquids and solids.
Easy calibration with integrated LCD display under cover (compact version) or in wall panel watertight (in the remote version).

Models:

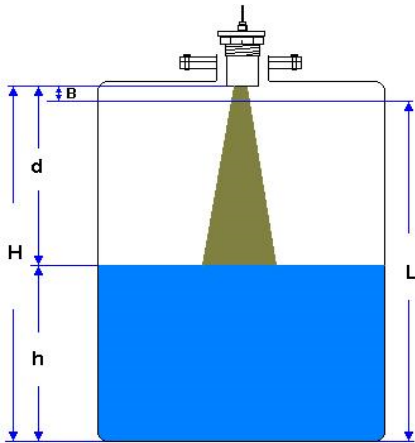
-101DP1B Compact version, sensor standard PVC, 24V DC

-101DP2B Remote version, sensor standard PVC, 24V DC

On request:

PTFE Sensor Model 101DF

Ex Explosion-proof design



Remote version 101DP2



Compact version 101DP1

TECHNICAL SPECIFICATIONS

		WORKING RANGES						
Height H	Liquids	4.00 m	6.00 m	8.00 m (A)	10.00 m	15.00 m	20.00 m	30.00 m
Height H	Solids			3.00 m	4.00 m	6.00 m	10.00 m	15.00 m
Resolution		1 mm			1 cm.			
Accuracy		0.2% f.s. in air						
Distance (B)		0.20 m	0.25 m	0.30 m	0.40 m	0.60 m	0.80 m	1.20 m
Beam transmission		8° (3db);			5° (3db) 8 m (A)			
Output :		4/20 mA, load 0-500 Ohm, resolution 0.03% f.s.						
Operating temperature:		-40...+80°C compensated						
Pressure range:		+/- 1 bar						
Supply:		24 V dc						
Measurement time:		1 second						
Enclosure:		ABS						
Sensor:		PVC on request PTFE						
Protection:		IP67						



SATEMA

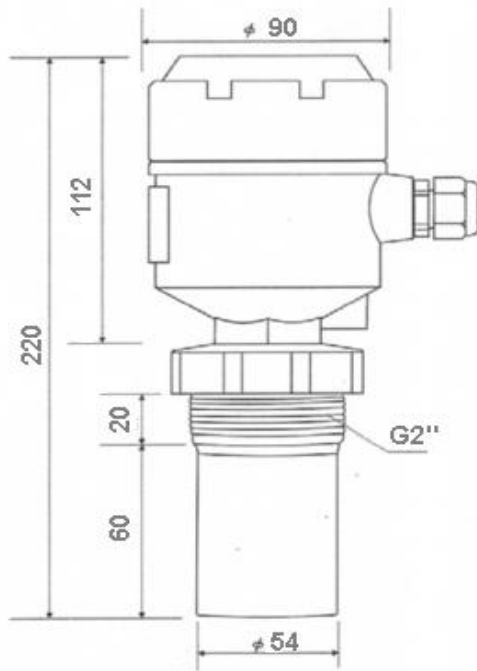
13856 VIGLIANO B.SE - Via Milano, 395

Tel. +39 015811102 - 015510156 Fax 0158853029

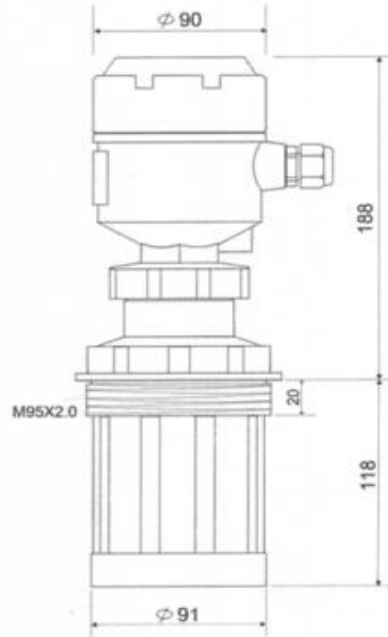
Mail: info@satema.it <http://www.satema.it>

COMPACT DIMENSION

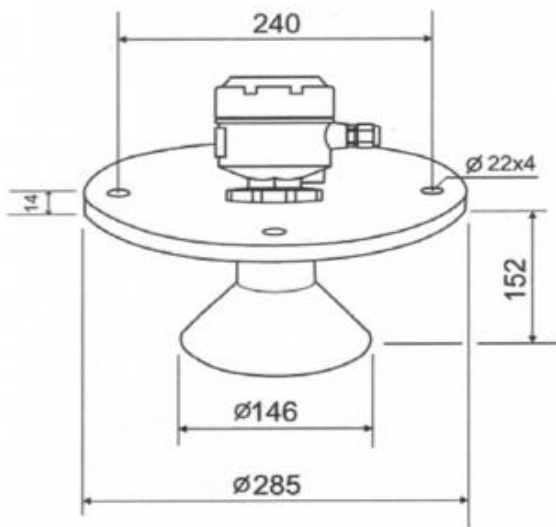
DIMENSIONI VERSIONE COMPATTA



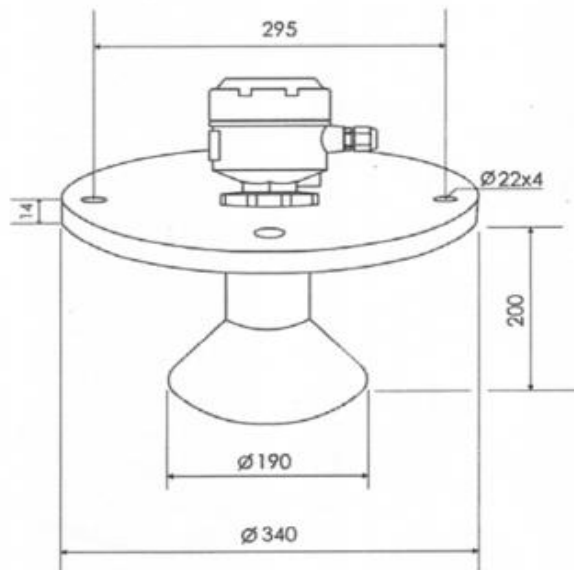
4m/6m/8m



10m/12m



15m



20m/30m/40m

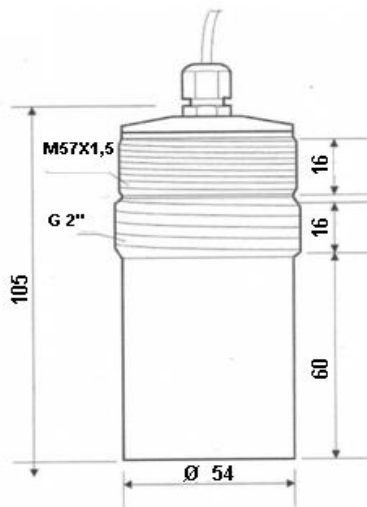
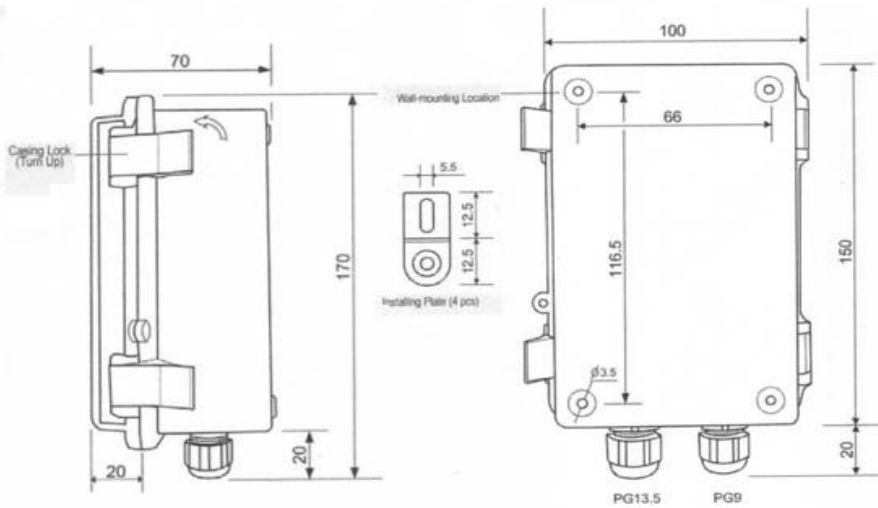


SATEMA

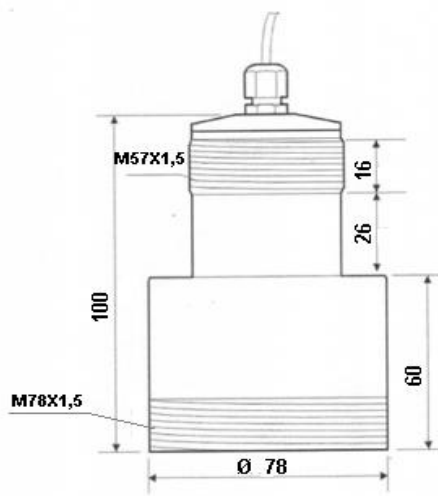
13856 VIGLIANO B.SE - Via Milano, 395
 Tel. +39 015811102 - 015510156 Fax 0158853029
 Mail: info@satema.it <http://www.satema.it>

REMOTE DIMENSION

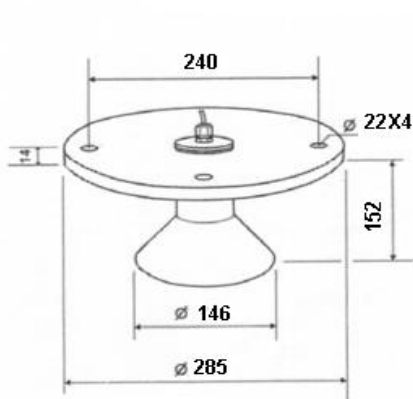
DIMENSIONI VERSIONE REMOTA



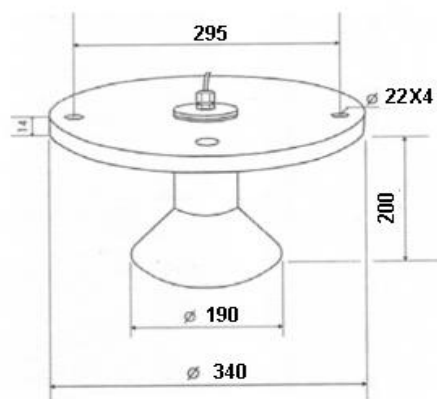
4 / 6 / 8 m



10 m



15 m



20 / 30 / 40 m



SATEMA

13856 VIGLIANO B.SE - Via Milano, 395
 Tel. +39 015811102 - 015510156 Fax 0158853029
 Mail: info@satema.it <http://www.satema.it>