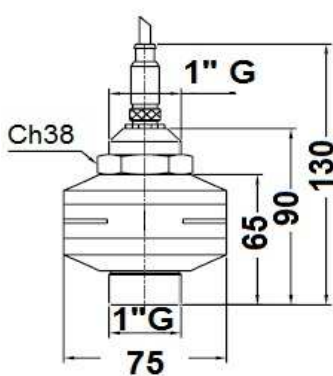


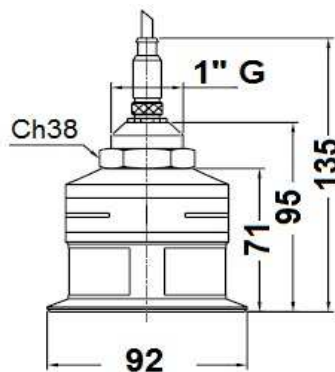
USVE* ULTRASONIC LEVEL TRANSMITTER

Compact, 4-20mA. Suitable for measurements on dense and aggressive liquids, solids in tanks or tanks. Calibration with REG311 or ModBus controller / viewer via PC. Temperature range -25 ... + 75 ° C.

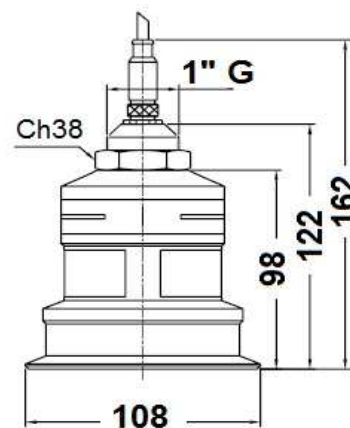
Process connection:	1" gas Male, ring in PP Option flange in PP DN100 USVE50-51 DN125 USVE56
Pressure:	from 0,5 up to 1,5 bar abs
Cover:	PP polypropylene
Power supply:	24Vdc, 1.5 W absorbed power
Output:	4/20 mA max 750 Ohm
Range:	USVE50 0,05...1,5 m USVE51 0,3...6 m USVE56EOT 0,5...12 m
Accuracy:	+/- 0,2% of the measured distance; 3 mm (USVE50 1 mm)
Sensor Protection:	IP68



USVE50



USVE51



USVE56EOT



SATEMA

13856 VIGLIANO B.SE - Via Milano, 395

Tel. +39 015811102 - Fax 0158853029

Mail: info@satema.it <http://www.satema.it>