

TLMA DIAPHRAGM LEVEL TRANSMITTER

The level transmitter model TLMA has been designed for general use in the measurement of industrial level. Typical applications in mechanical engineering, plant engineering, automation pneumatic-hydraulic, refrigeration and air conditioning. Running with piezoresistive sensor tested up to 100 m water column. Thin film sensor over 160 meters. a.c.. Wetted parts in AISI 316 stainless steel. Class 0.5% . Electrical outputs standard 4 ... 20 mA (2-wire), or 0 ... 10 V, 1 ... 5 V and 1 ... 6 V (3-wire) option. Immunity to electromagnetic interference RFI / EMI - according to EN 61 326. DIN43650 IP65 standard electric connection. On option: 0.2% class version



DESCRIPTION

CLASS 0.5% Range m. w.c. - (Overpressure m.) connections 3/4" gas M up to a 16 mt., beyond 1/2" gas M

1 (10)	1,6 (15)	2,5 (20)	4 (20)	6 (40)	10 (50)	16 (100)	25 (100)	40 (170)
60 (350)	100 (350)	160 (500)	250 (500)	400 (800)	600 (1200)	1000 (2000)	1600 (3200)	2500 (5000)

CLASS 0.2% Overpressure 2x m. Connection 3/4" gas M

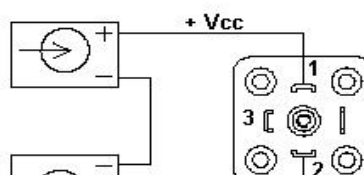
0...2,5	0...4	0...6	0...10	0...16	0...25	0...40	0...60	0...100
---------	-------	-------	--------	--------	--------	--------	--------	---------

TECHNICAL FEATURES

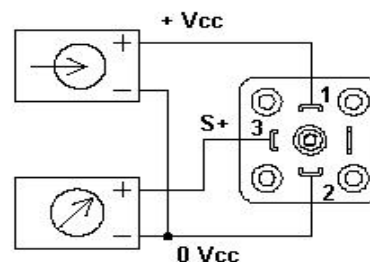
Process connection:	G3/4"BSP (class 0.5 - 0.2) up to 16 mt. c.a. - overrange G1/2" BSP
Materials:	wetted parts 316L S.S., diaphragm 316 S.S.
Separator fluid:	siliconic oil (up to 10 bar)
Supply:	10...30 Vdc Out 4/20 mA, 14...30Vdc Out 0/10, 1/5, 1/6V
Max load:	4...20mA, 2F=700 Ohm (24V), 0...10V 3F=10 kOhm, 1...5V 3F=5 kOhm, 1...6V 3F=6 kOhm
Accuracy class:	0,5 % f.s.
Working temperature:	-40...+100°C
Ambient temperature:	-30...+80°C



COLLEGAMENTO 2 FILI (4/20mA)



COLLEGAMENTO 3 FILI (0/10Vcc)



SATEMA

13856 VIGLIANO B.SE - Via Milano, 395

Tel. +39 015811102 - Fax 0158853029

Mail: info@satema.it <http://www.satema.it>

TLMA2 COMPACT DIAPHRAGM LEVEL TRANSMITTER

Thin film relative pressure transmitter, with a diaphragm suitable for food or industrial applications where the solid residue or the frozen water may block the hole traditional and distort the measurements, with the output signal 4 ... 20 mA. Ideal for hydraulic applications or hydraulic on wide range of pressures with good accuracy and repeatability.



DESCRIPTIONS

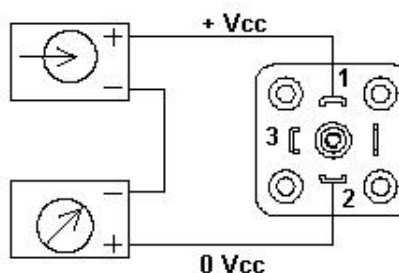
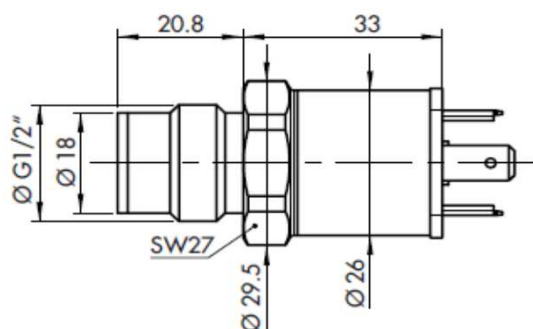
CLASS 0,3% Connection 1/2" gas M

Range mbar:	0...200	0...400	0...600		
Range bar:	0...1	0...4	0...6	0...10	0...100

TECHNICAL SPECIFICATIONS

Hydraulic connection:	G1/2" BSP
Materials:	body and diaphragm S.S.316L
Seal:	FKM oring 70 Sh
Power supply:	2 wires 24Vdc (9 ... 32 Vdc)
Response time:	typ. 1 ms/10...90%
Accuracy:	0.3% f.s.
Repeatability:	+/-0.2% f.s.
Temperature range:	-40...+125°C
Ambient temperature:	-40...+85°C
Protection:	IP65

COLLEGAMENTO 2 FILI (4/20mA)



SATEMA

13856 VIGLIANO B.SE - Via Milano, 395
 Tel. +39 015811102 - Fax 0158853029
 Mail: info@satema.it <http://www.satema.it>