

## TLIC67 ON/OFF CAPACITIVE LEVEL SENSOR

Electronic regulator level with high-frequency capacitive sensor, suitable for solids (powder, granules) or liquids conductive and insulating liquids. Application in food and pharmaceutical sectors. PNP on/off threshold signal, 1 internal led. Adjustable sensitivity. Partial regulation hysteresis.



### Applications

- oils in general, refrigerating liquids
- cereals and wheat, water, powders
- mills, cement plants, glassworks, feed mills

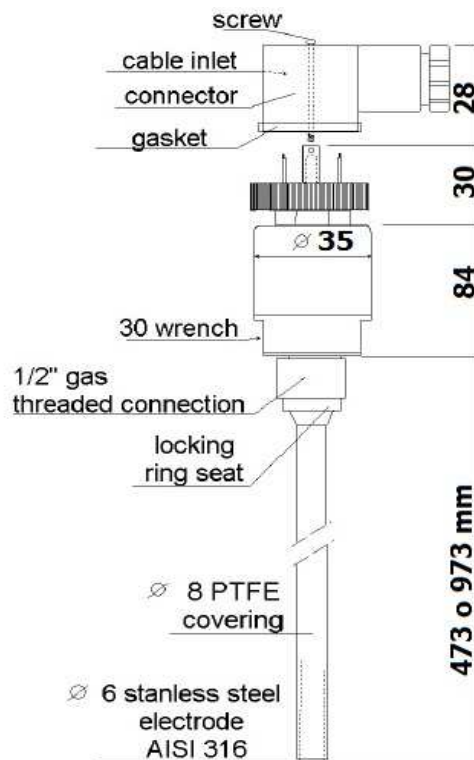
## TECHNICAL SPECIFICATIONS

Electric connection: DIN 43650 PG11

Protection: IP65

Supply: 24Vdc

Model	TLIC67	
Temperature	120°C	
Pressure	25 bar	
Process	1/2"	
AISI316 electrode	diameter 6 mm, PTFE coated, 1 mm thick	
	AISI303 body	AISI316 body
L 473 mm	X	X
L 973 mm	X	X



**SATEMA**

13856 VIGLIANO B.SE - Via Milano, 395

Tel. +39 015811102 - Fax 0158853029

Mail: [info@satema.it](mailto:info@satema.it) <http://www.satema.it>

## TLIC4\* CONTINUOUS CAPACITIVE LEVEL TRANSMITTER

Capacitive rod level transmitters for continuous level measurement. Probe body in stainless steel. Process connection 1/2" and 1" Gas.



Applications:

TLIC44: water, oil, diesel, liquids and powders in general

TLIC44HT: water and liquids with conductivity > 5µS / cm

TLIC45: oil, diesel oil, insulating liquids

### TECHNICAL SPECIFICATIONS

Electric connection: DIN 43650-A  
 Protection: IP65  
 Supply: TLIC44, TLIC45: 13...30Vdc; TLIC44HT: 24VDC +/- 10%  
 Absorbed power: TLIC44 and TLIC45: 0,6 VA; TLIC44HT: 0,9 VA  
 Accuracy: 0,5% f.s. @ 25°C

Model	TLIC44		TLIC44HT	TLIC45
Temperature	120°C		215°C	120°C
Pressure	25 bar		20 bar	25 bar
Process	1/2"		1/2"	1"
AISI316 electrode	diameter 8 mm PTFE coated		diameter 8 mm PTFE coated, diameter external diameter 12 mm	6 mm up to L 960 mm, 8 mm up to L 3000 mm PTFE coated on request with 15 mm cap on the bottom. Stainless steel counter electrode diam. 25 mm
Output	4...20 mA, max 500 Ohm		4...20 mA calibrated, max 250 Ohm, fixed delay 3"	4...20 mA, max 500 Ohm
	AISI303 body	AISI316 body	AISI303 body	AISI303 body
L 460 mm	-	-	-	X
L 500 mm	X	-	X	-
L 960 mm	-	-	-	X
L 1000 mm	X	-	X	-
L 1500 mm	X	X	-	X
L 2000 mm	X	-	-	X
L 2500 mm	-	-	-	X
L 3000 mm	-	-	-	X



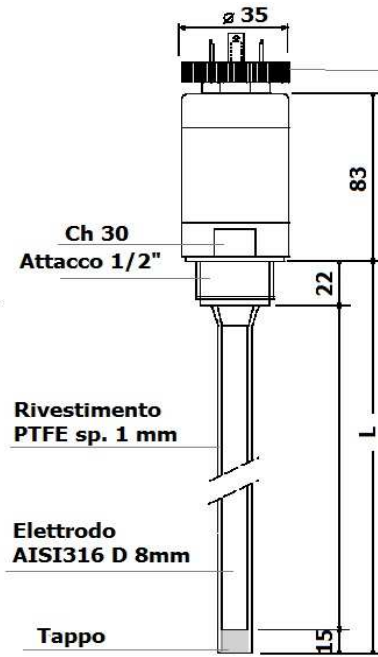
**SATEMA**

13856 VIGLIANO B.SE - Via Milano, 395

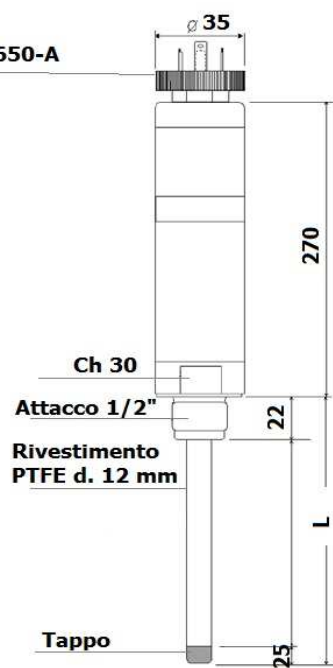
Tel. +39 015811102 - Fax 0158853029

Mail: [info@satema.it](mailto:info@satema.it) <http://www.satema.it>

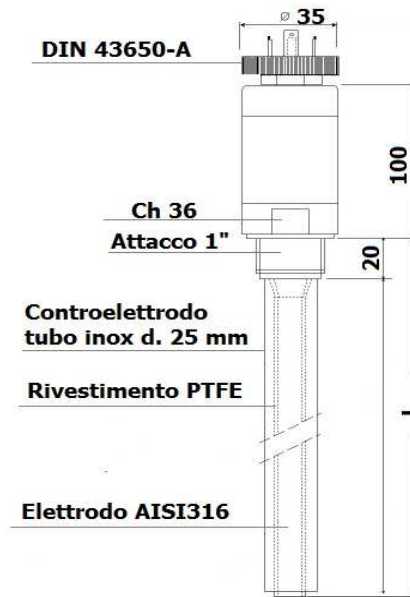
**TLIC4\* CONTINUOUS CAPACITIVE LEVEL TRANSMITTER**



**TLIC44**



**TLIC44HT**



**TLIC45**



**SATEMA**

13856 VIGLIANO B.SE - Via Milano, 395

Tel. +39 015811102 - Fax 0158853029

Mail: [info@satema.it](mailto:info@satema.it) <http://www.satema.it>