

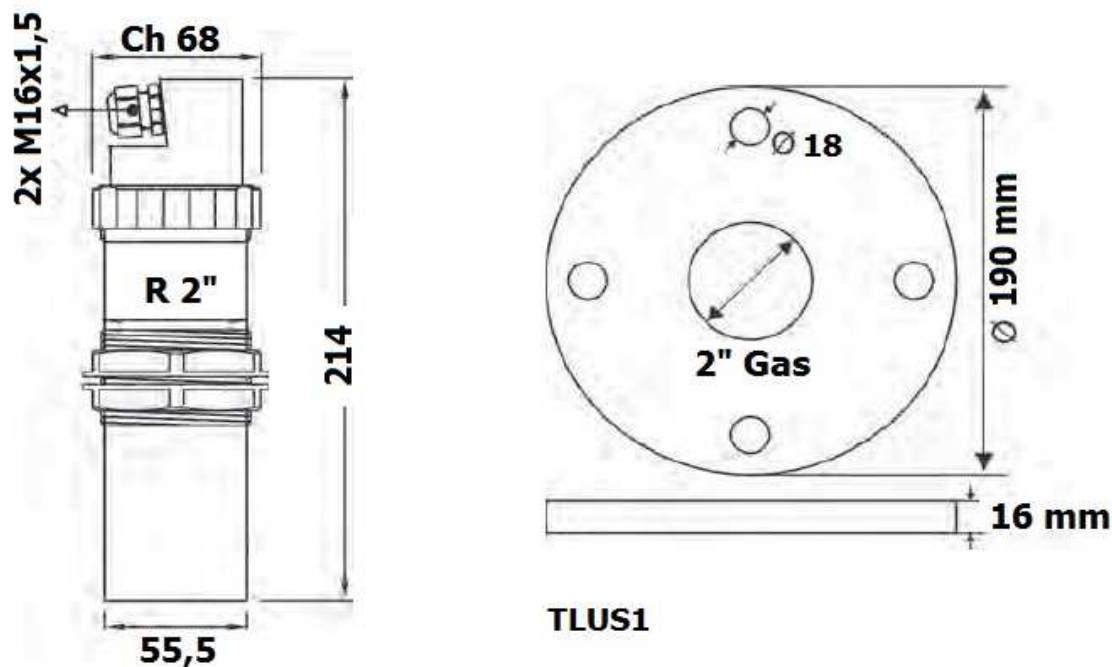
TLUS1 COMPACT SONIC LEVEL

For liquids and granulated solid materials general applications IP65/68 ultrasonic level sensor with two threshold relays.



TECHNICAL SPECIFICATIONS

Enclosure:	PP polypropilene
Process connection:	2" GAS Male; on request with PP DN80 PN6 flange screwed
Protection:	IP66, sensor IP68
Connection:	removable terminal pin
Working Temperature:	-30...+70°C
Pressure:	0,5...1,5 bar abs
Power supply:	24 - 115 - 230Vac 50Hz, 24Vdc, 12Vdc - 2W
Analog Output	4-20 mA max 750 Ohm
Relays:	2X 3A 230Vac N.O.
Serial port:	ModBus RTU
Range:	0,25...5 mt; 0,4...8 mt
Temperature Compensation:	digital from -30 to +80°C
Accuracy:	+/- 0,2% v.m., +/- 3mm
Resolution:	1 mm
Warm time:	5 min typically



SATEMA

13856 VIGLIANO B.SE - Via Milano, 395

Tel. +39 015811102 - 015510156 Fax 0158853029

Mail: info@satema.it <http://www.satema.it>

TLUS2 COMPACT SONIC LEVEL

Compact ultrasonic level transmitter for liquids and granules, temperature compensated and suitable for connection with acquisition systems via MODBUS RTU (4-wire version) and HART (option for 2-wire version). Analog output, version 4 file includes 2 freely addressable relays.



Standard versions: **TLUS2-06-PVDF-4F**
TLUS2-10-PVDF-4F

TECHNICAL SPECIFICATIONS

Material:	wet parts PP or PVDF, PC or Al case
Process connection:	2" gas M, option PP DN80 PN6 flange screwed
Protection:	IP67, sensor IP68
Electrical connection:	terminal pin
Working Temperature:	-30...+70°C
Pressure:	0,5...1,5 bar abs
Power supply:	20...30Vdc (2 wires), 24Vdc (4 wires), 12Vdc (2 wires, max 5 m)
Absorbed power:	0,6W (2wires), 1,5W (4wires)
Analog output:	4-20 mA max 750 Ohm (4wires)
Relays:	2X 3A 230Vac N.O. , 4 wires only
Communication:	ModBus RTU (4wires), 2-wires HART version option
Range:	0.25...6 m; 0.4...10 m
Temperature Compensation:	digital from -30 to +80°C
Accuracy:	+/- 0,2% v.m., +/- 3mm
Resolution:	1 mm
Warm time:	5 min typically
ATEX 4W PVDF:	ATEX II 1/2G Ex ia II C T6 Tamb -20...+60°C



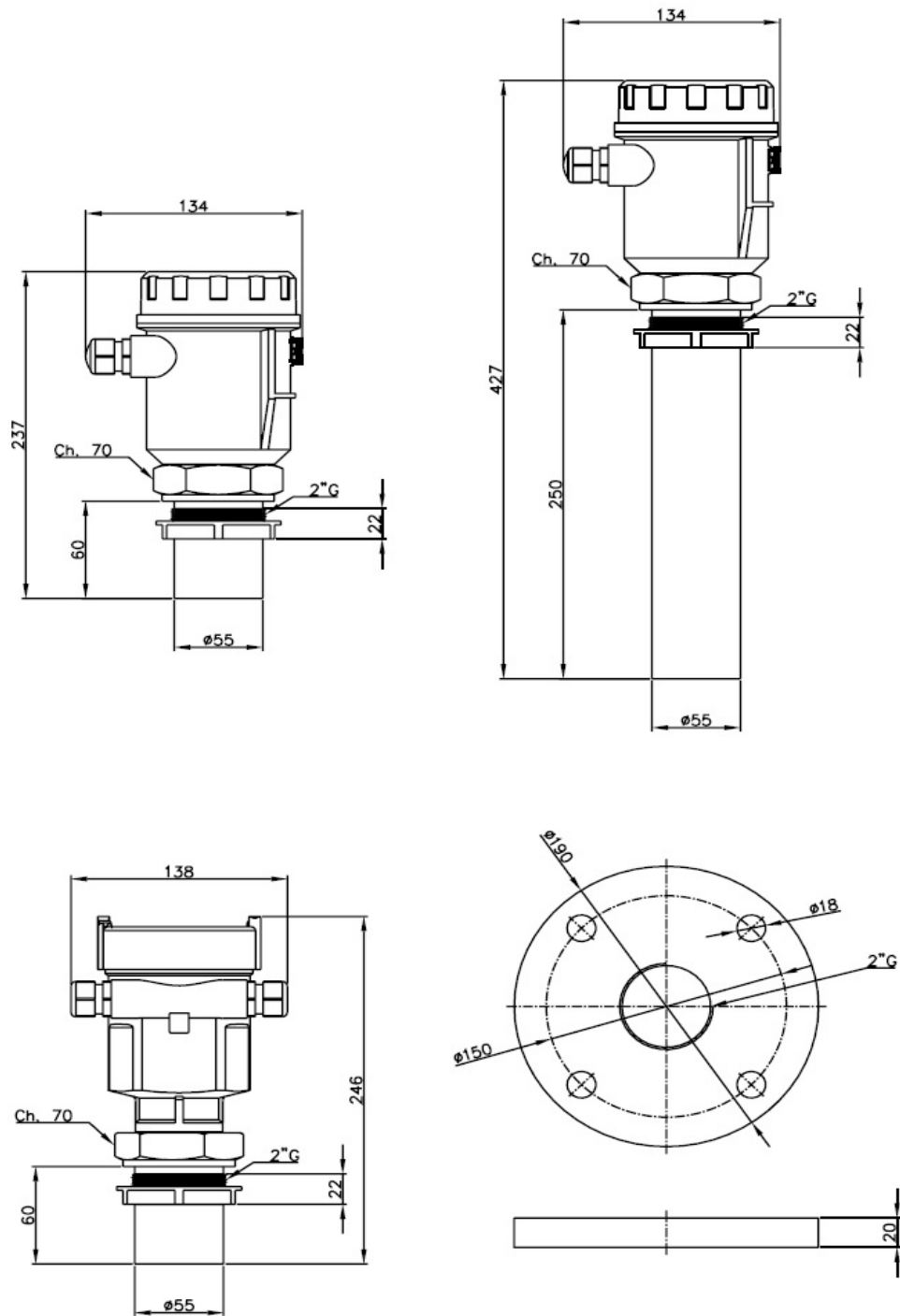
SATEMA

13856 VIGLIANO B.SE - Via Milano, 395

Tel. +39 015811102 - Fax 0158853029

Mail: info@satema.it <http://www.satema.it>

TLUS2 COMPACT SONIC LEVEL



SATEMA

13856 VIGLIANO B.SE - Via Milano, 395

Tel. +39 015811102 - Fax 0158853029

Mail: info@satema.it <http://www.satema.it>

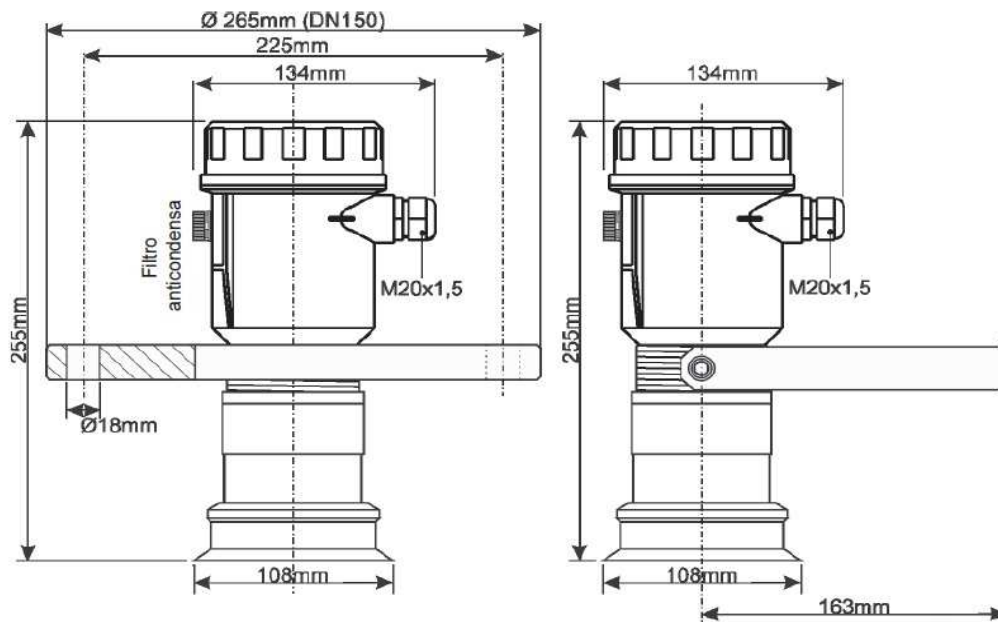
TLUS3 COMPACT SONIC LEVEL

Compact ultrasonic level transmitter for liquids and granules, temperature compensated and suitable for connection with acquisition systems via MODBUS RTU (4-wire version) and HART (option for 2-wire version). Analog output, version 4 file includes 2 freely addressable relays.



TECHNICAL SPECIFICATIONS

Material:	PC, wet parts PP polypropilene
Process connection:	PP DN150 flange screwed or bracket
Protection:	IP67, sensor IP68
Electrical connection:	terminal block
Working Temperature:	-30...+70°C
Pressure:	0,5...1,5 bar abs
Power supply:	24 - 115 - 230Vac 50Hz, 24Vdc
Absorbed power:	1,5W
Analog output:	4-20 mA max 750 Ohm
Relays:	2X 3A 230Vac N.O.
Communication:	ModBus RTU
Range:	0,5...12 meters
Temperature Compensation:	digital from -30 to +80°C
Accuracy:	+/- 0,2% m.v. , +/- 3mm
Resolution:	1 mm
Warm time:	5 min typically



SATEMA

13856 VIGLIANO B.SE - Via Milano, 395

Tel. +39 015811102 - Fax 0158853029

Mail: info@satema.it <http://www.satema.it>