

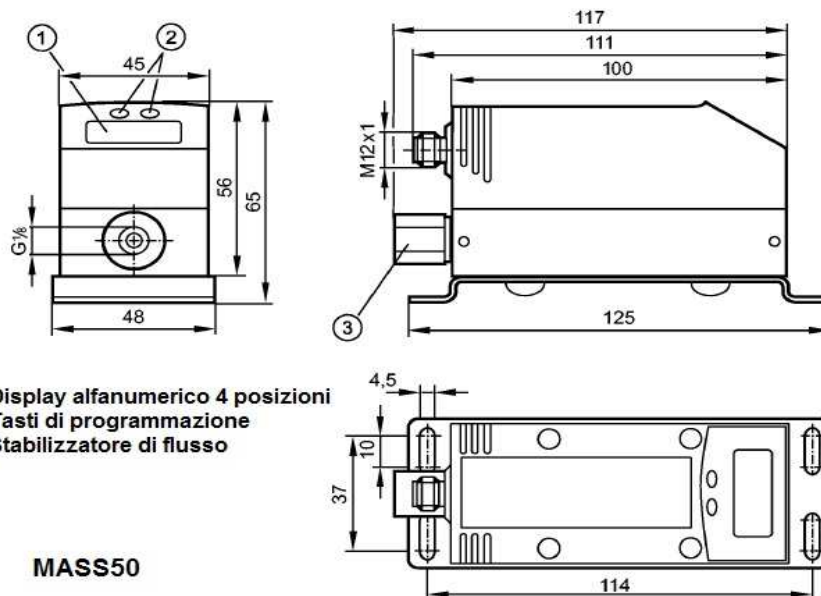
## MASS50 - LIQUIDS BATCH MICROFLOMETER

Low flowrate measurements, calorimetric principle based on by Prandtl number effect. Suitable for liquids as water solutions dosing so as monitoring applications. Readout mode selection between analog, on-off, pulses. 4 digits LCD display to show running values of flow rate, total flow counter and temperature.



### TECHNICAL FEATURES

Measuring range	1...200 ml/min	
Reading scale:	0...240 ml/min	
Pulse setting:	0.1-2000000000	
Response time:	<0.3 ...2.5 s	
Accuracy:	<100 ml/min = $\pm 5\%$ m.v. +0.8 % f.s. or mew (final value of measuring range)	
	>100 ml/min = +/- 15% m.v.	
Port connections:	1/8" G BSP female	
Pressure max:	10 bar	
Medium temperature:	0...60 °C	
Power supply:	19...30 Vdc; current consumptions < 110 mA, reverse polarity protected	
2 x Output:	1 x On/Off Nc/NO or on pulses programmable	
	1 x On/Off Nc/NO or analog 4-20 mA programmable	
Wetted parts:	316L SS - NBR	
Inner body:	316L SS	
Housing:	PC; PBT-GF 20; POM; FKM	
Wiring plug:	M12x1 - 4PIN male circular plug	
Display:	3 x dot green leds (ml/min, ml, °C); 2 x dot yellow leds mode indicators; alphanumeric matrix 4 position for measure and setting	2 x
CE conformity:	EN 61000-4-2 ESD: 4 kV CD / 8 kV AD	EN 61000-4-3 HF radiated: 10 V/m
	EN 61000-4-4 burst voltage: 2 kV	EN 61000-4-6 HF conducted: 10 V
Shocking test::	DIN IEC 68-2-27: 30 g (11 ms)	
Vibration rating:	DIN IEC 68-2-6: 5 g (55...2000 Hz)	



**SATEMA**

13856 VIGLIANO B.SE - Via Milano, 395

Tel. +39 015811102 - Fax 0158853029

Mail: [info@satema.it](mailto:info@satema.it) <http://www.satema.it>