

DPFLOW - PISTON FLOW TRANSMITTERS

Electronic Flow Transmitter with analog current output 4/20 mA, in piston principle. Suitable for water, glycol solutions, oils, cooling lubricants, liquids in general, clean, non-aggressive. Magnetic field detection due to piston moving by flow stream. Current out proportional to flow rate scale.

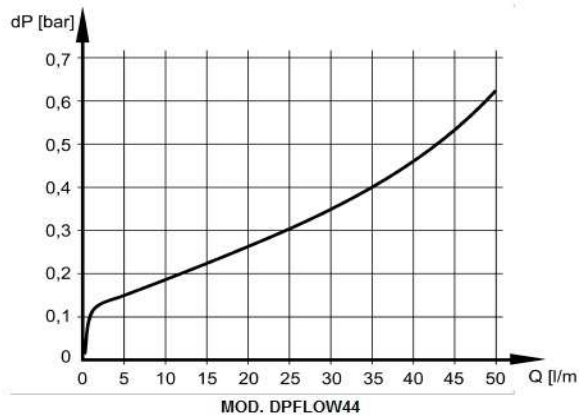
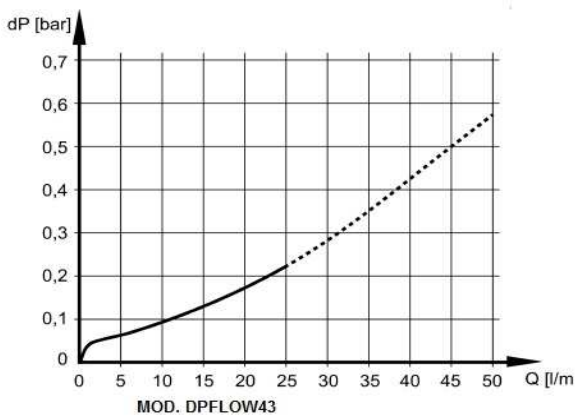
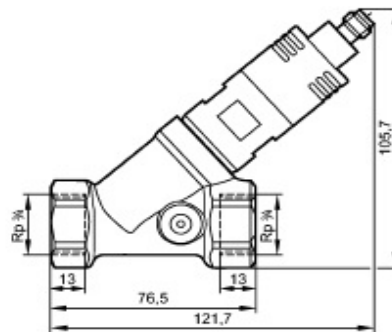
High temperature version mod.DPFLOW64

Modelli	Diameter	Range l/m
DPFLOW43	3/4"	1...25
DPFLOW44	3/4"	2...50
DPFLOW64	3/4" HT	0.3..25
DPFLOW84	1"	4...100
DPFLOWA4	1"1/2	8...200



TECHNICAL SPECIFICATIONS

Fluid temperature: -10...+85°C; DPFLOW64 model 20...+180°C
 Pressure max: 25 bar; DPFLOW64 model 15 bar
 Power supply: 24V dc (-15%, +10%); current consumption <30 mA
 Insulation class: III, reverse polarity protection
 Protection: IP65/IP67
 Analog output: 4/20 mA Short-circuit protection. Overload protect.
 Rangeability: < 100 l/m
 Status indication: 1% measured value
 Accuracy: +/- 5% f.s.
 Material: stainless steel (1.4301 / 304); nickel-plated brass; bra:
 housing: nickel plated brass, aluminum, polypropylene
 Electrical connection: M12 connector; model DPFLOW64 with silicone cable



PERDITA DI PRESSIONE (DP) / FLUSSO (Q)

Pressure loss (DP) / flow (Q)



SATEMA

13856 VIGLIANO B.SE - Via Milano, 395

Tel. +39 015811102 - Fax 0158853029

Mail: info@satema.it <http://www.satema.it>