

MPFCH - NEUTRAL LIQUIDS TURBINE METER

Small flow turbine meters for water and neutral liquids.
Horizontal or vertical mounting with filter upstream.

Flow range:	0.5...30 l/min		
Inner Diameter:	9.2 mm		
Square wave output:	PNP w/integrated resistor		
Pulse output approx:	480 pulse/l at 20°C water		
Viscosity:	from 1 up to 20 mPas		
Accuracy:	+/- 3%		
Repeatability:	<0.5%		
Work Pressure bar:	PA body	OT body	
	continued	5	8
	peak	10	16
pressure drop	0.1		
Temperature range:	PA body	OT body	
	-10...60°C	-10...80°C	
Connections:	2xG1/2"		
Materials:	ROTOR	ORING	SPINDLE
Body PA12	POM	EPDM	S.S.316L
Body OT	POM	EPDM	S.S.316L
Power supply:	5...24Vdc		
Weitgh g.:	PA12	OT	
	55	105	



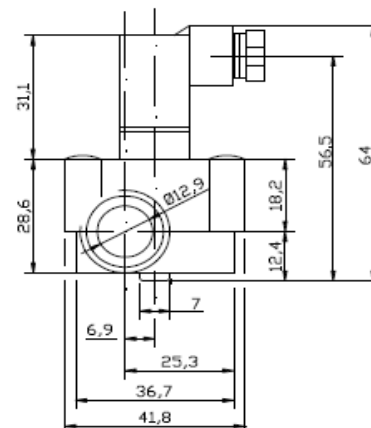
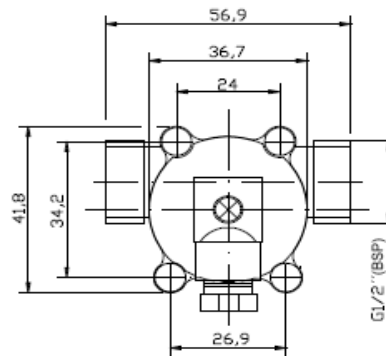
PIN:
1 = +VDC 5-24 VDC
2 = - GND
S = Signal (+)

Cavo/Cable
Rosso/Red
Nero/Black
Bianco/White

Resistenza integrata: Pull-up
Pull-up resistor embedded

SIGNAL OUTPUT PNP

+ UB 5...24VDC GND



To maintain an accuracy and repeatability ensure a constant stable pressure downstream of the meter, especially if present regulating valves.

Avoid water hammer and air bubbles or gas.

Observe the flow direction as the arrow.



SATEMA

13856 VIGLIANO B.SE - Via Milano, 395

Tel. +39 015811102 - Fax 0158853029

Mail: info@satema.it <http://www.satema.it>