

## MISEL VISCIOUS LIQUIDS FLOW METER

Helical screws volumetric flowmeter for viscous liquids. Stainless steel 1.4305 (AISI303) body. One pair of helical screw is rotating due to the fluid streaming inside to the axial cylindrical measuring chamber. The revolution is detected by an external proximity sensor without direct contact. The electrical pulses generated are proportional to the volume flow through the meter. High accuracy and repeatability over a wide flow range (rangeability 1: 100), with small drop pressure.



w/displayed flow transmitter

Applications: liquids and high viscosity media. Polyurethanes, polymers, epoxies, adhesives, sealants, waxes, oils and heavy fuels, petroleum products, chemicals, acids. Wide variable range of viscosity. Mineral oil for hydraulic testing bench.

### TECHNICAL SPECIFICATIONS

Accuracy:  $\pm 0,5\%$  m.v.(from 30 up to 100 cst)  
 $\pm 0,25\%$  m.v. over 100 cst

Repeatability:  $\pm 0,1\%$  m.v.

Work pressure: 16 ... 40 nominal bars (up to 400 bar on option)

Work temperature: max 150°C (over on request)

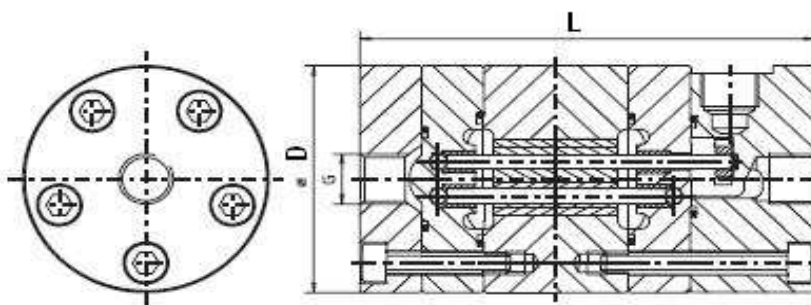
Ambient temperature: -10...+50°C



w/pulse frequency amplifier

Models	Diameters	Range Lt/1'	Output K pulse/l	Frequency Hz	Dimensions mm	
					L	D
MISEL 10	1/4"	0.01...4	16500	3...1140	110	60
MISEL 20	1/2"	0.04...16	9000	6...2500	125	76
MISEL 40	3/4"	0.4...4,0	3500	20...2400	155	85
MISEL 100	1"	1.0...100	850	8...850	221	110
MISEL 400	1"1/2	4.0...400	214	14...1450	318	134

Viscosity mm <sup>2</sup> /s - cSt	30	90	150	600	1500	6000
DP bar max Pressure drop	1.8	3.0	5.0	8.0	15.0	30.0



Most accurate factory calibration is performed for each instrument, specifying, on referring to, specific chemical and physical properties of the fluid and operating conditions as temperature, pressure and viscosity and density.



**SATEMA**

13856 VIGLIANO B.SE - Via Milano, 395

Tel. +39 015811102 - Fax 0158853029

Mail: [info@satema.it](mailto:info@satema.it) <http://www.satema.it>

## FLOW SENSORS AMPLIFIER - TRANSMITTERS

### VTEP Pulses frequency of blind amplifier. On board version.

Work Range: 2Hz...4 KHz  
Power supply: 8...29 VDC  
Temperature: -40...+50°C environmental (120°C fluids)  
Connector: cylindrical 5 PIN  
Direct mounting on the meter body.



VTEP

### VTM Displayed Flow transmitter. Smart compact version.

Weatherproof housing IP65 - DN100  
2 x frequency outputs  
1 x analogue output 4/20 mA  
8-digit LCD display, height 7 mm  
For indication of: flow rate, totalized and programming parameters.  
Direct mounting on flowmeters screw / gear.



VTM



**SATEMA**

13856 VIGLIANO B.SE - Via Milano, 395  
Tel. +39 015811102 - Fax 0158853029  
Mail: [info@satema.it](mailto:info@satema.it) <http://www.satema.it>