

MGN - ELECTROMAGNETIC FLOW METER

MGM electromagnetic flow meter is designed to measure both flow rates and volumes counting of conductive liquids. They contain no moving mechanical parts so the liquid does not encounter obstacles during the transition, thus avoiding possible damage caused by the presence of solid waste. The inner measuring tube is electrically insulated by inert full lining covered out of flanges, therefore the process liquid never comes into contact with body's material. This allows the measurement of any kind of liquid compatible with coating material.

Very low pressure loss for all mounting positions, suitable for the most varied chemical industry sectors as paper, food, water plants.

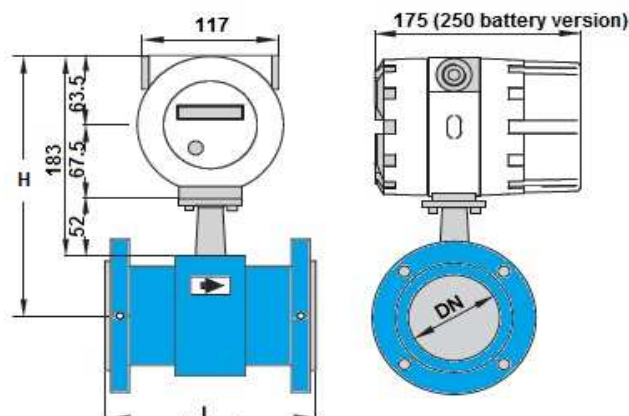


TECHNICAL SPECIFICATIONS

Diameters:	from DN 15 up to DN 2000
Pressure:	PN 10 PN 16 PN 25 PN 40
Flanges according to:	UNI EN 1092, ANSI150, ANSI300, DIN2501, BS45404, AWWA
Class protections:	IP68
Reading error:	+/-0.2% max
Fluid velocity:	10 m/s max
Electrical conductivity:	> 20 mS/cm
Linings material:	PTFE - Ebanite
Max fluid temperature:	compact version -40...+80°C, remote version PTFE -40...+130°C, ebanite -40...+80°C
Pipe material:	Stainless steel AISI 304
Flanges material:	carbon steel
Electrodes material:	Hastelloy C
Electrodes:	Number 3 (on request 4 th electrode allarm pipe not completely full)
Power supply:	90...240VAC or 24VDC or interchangeable battery (life 3...6 years)
Display:	LCD graphic 128x64 pixels retrofit
Output (powered version):	4-20 mA, pulse, frequency, MODBUS RTU RS485
Output (battery version):	pulses
External communication:	Interface IrDA for PC connection, MODBUS on RS485
According to standard:	89/336/EEC EN61326-1:2006 2006/95/EC EN ISO 6817

DIMENSIONS mm

DN	L	H
15	200	223
20	200	223
25	200	215
32	200	221.5
40	200	224
50	200	232
65	200	240
80	200	246.5
100	250	259
125	250	272
150	300	286
200	350	311.5
250	450	338.5
300	500	364
350	550	380
400	600	405



SATEMA

13856 VIGLIANO B.SE - Via Milano, 395
 Tel. +39 015811102 - Fax 0158853029
 Mail: info@satema.it <http://www.satema.it>

TECHNICAL SPECIFICATIONS

DN	Flow rate table m3/h			
	Velocity m/s			
	0.05	0.5	5	10
15	0.0318	0.318	3.180	6.360
20	0.0570	0.564	5.640	11.340
25	0.0883	0.883	8.835	17.671
32	0.14	1.45	14.48	28.95
40	0.23	2.26	22.62	45.24
50	0.35	3.53	35.34	70.69
65	0.60	5.97	59.73	119.46
80	0.90	9.05	90.48	180.96
100	1.41	14.14	141.37	282.74
125	2.21	22.09	220.89	441.79
150	3.18	31.81	318.09	636.17
200	5.65	56.55	565.49	1130.97
250	8.84	88.36	883.57	1767.15
300	12.72	127.23	1272.35	2544.69
350	17.32	173.18	1731.80	3463.61
400	22.62	226.19	2261.95	4523.89
450	28.63	286.28	2862.78	5725.55
500	35.34	353.43	3534.29	7068.58
600	50.89	508.94	5089.38	11178.76
700	69.27	692.72	6927.21	13854.42
800	90.48	904.78	9047.79	18095.57
900	114.51	1145.11	11451.11	22902.21
1000	141.37	1413.72	14137.17	28274.33
1200	203.58	2035.75	20357.52	40715.04
1400	277.09	2770.88	27708.85	55417.69
1600	361.91	3619.11	36191.15	72382.29
1800	408.56	4085.64	40856.41	81712.82
2000	565.49	5654.87	56548.67	113097.34

Velocity range from 0.5 to 5 m/s is advised



SATEMA

13856 VIGLIANO B.SE - Via Milano, 395

Tel. +39 015811102 - Fax 0158853029

Mail: info@satema.it <http://www.satema.it>