

FLUX1 - ONLINE LIQUIDS FLOW SWITCH

Controlling limit flows for neutral non-corrosive liquids for small and medium volumes rates with low pressure loss and excellent performances.



Applications

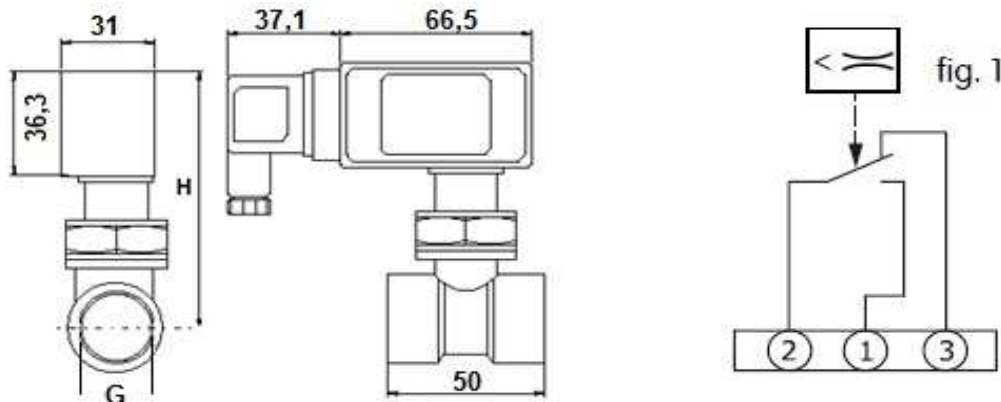
- Heating and air conditioning
- Refrigeration Equipment
- Equipment for oils controlling
- Lubrication circuits

DESCRIPTIONS

Size	DN	Type	Range adjustment l/min H2O	Max flow rate Q l/min Water	Pressure loss (Qmax) bar	Tolerance +/-% Fs	H mm	Weight kg
3/8"	10	FLUX1-10MI	5 - 6	10	0,01	15	83	0,300
1/2"	15	FLUX1-15MI	6 - 7	20	0,01	15	83	0,300
3/4"	20	FLUX1-20MI	7,5 - 11	40	0,01	15	85	0,346
3/4"	20	FLUX1-21MI	13 - 16	40	0,01	15	88	0,35
1"	25	FLUX1-25MI	19 - 24	60	0,01	15	90	0,386
1"1/4	32	FLUX1-32MI	30 - 50	80	0,01	15	92	0,518
1"1/2	40	FLUX1-40MI	50 - 60	100	0,01	15	97	0,642
2"	50	FLUX1-50MI	70 - 90	150	0,01	15	104	0,990

TECHNICAL SPECIFICATIONS

- Contacts: dust sealing, contacts SPDT microswitch (nc / no)
- Contact capacity: 5 A, 250 VCA
- Fluid temperature: -20...+110°C
- Max pressure: 25 bar
- Hysteresis: minimum 0.7 l/min
- Electrical connector: female DIN 43650-A for cable diameters 6 ... 9 mm.
- Materials: brass body, steel paddle, ABS housing, NBR gasket
- Storage temperature: -20...+70°C
- Class protection: IP65, class II
- Installation: straightness lines upstream / downstream = 5x diameter



SATEMA

13856 VIGLIANO B.SE - Via Milano, 395

Tel. +39 015811102 - Fax 0158853029

Mail: info@satema.it <http://www.satema.it>

FLUX2 - PADDLE FLOW SWITCH FOR LIQUIDS

Controlling the flow of corrosive liquids, sea water and standard media. Warning function for absence or excessive flow reduction (safety switch). Available in brass body, for neutral liquids and stainless steel 316L body, for sea water and corrosive liquids.

Applications

- Heating and air conditioning
- Refrigeration Equipment
- Fire protection systems
- Heat pumps
- Equipment for oils control
- Lubrication circuits

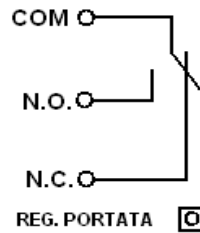


DESCRIPTIONS

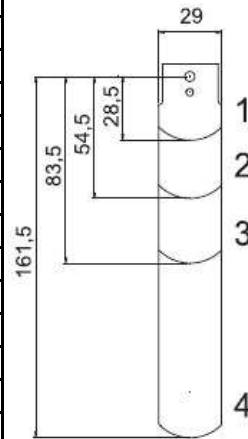
Models	Fitting	Pipe	Body	Press.Max
FLUX2-1EN	1" GAS M	1"...8"	S.S.316	30 bar
FLUX2-2EN	1" GAS M	1"...8"	Brass	11 bar

TECHNICAL SPECIFICATIONS

Contacts:	dust sealing, golden contacts SPDT microswitch
Contact capacity:	15 (8) A, 24...250 VCA
Work temperature:	-40...+85°C
Max fluid temperature:	120°C
Paddle:	S.S. 316 split sections. Mounting by overlap
Housing:	ABS base, PC transparent cover
Dimensions, weight:	140 x 62 x 65 mm, 950 gramms
Protection:	IP65, class I
Option:	NPT thread
Approval:	TUV



Diam.-Paddle
1" - 1
1"1/4 - 1
1"1/2 - 1
2" - 1,2
2"1/2 - 1,2
3" - 1,2,3
4" - 1,2,3
4"Z - 1,2,3,4
5" - 1,2,3
5"Z - 1,2,3,4
6" - 1,2,3
6"Z - 1,2,3,4
8" - 1,2,3
8"Z - 1,2,3,4



Pipe diameter	Flow rate setting				
	Min adjustment m3 / h		Max adjustment m3/h		Max range advised m3 / h
	switch On	Switch Off	switch On	Switch Off	
1"	0,60	1,00	2,00	2,10	3,60
1"1/4	0,80	1,30	2,80	3,00	6,00
1"1/2	1,10	1,70	3,70	4,00	9,00
2"	2,20	3,10	5,70	6,10	15,00
2"1/2	2,70	4,00	6,50	7,00	24,00
3"	4,30	6,20	10,70	11,40	36,00
4"	11,40	14,70	27,70	29,00	60,00
4" Z	6,10	8,00	17,30	18,40	60,00
5"	22,90	28,40	53,30	55,60	94,00
5" Z	9,30	12,90	25,20	26,80	94,00
6"	35,90	43,10	81,70	85,10	120,00
6" Z	12,30	16,80	30,60	32,70	120,00
8"	72,60	85,10	165,70	172,50	240,00
8" Z	38,6	46,5	90,8	94,2	240,00



SATEMA

13856 VIGLIANO B.SE - Via Milano, 395

Tel. +39 015811102 - Fax 0158853029

Mail: info@satema.it <http://www.satema.it>