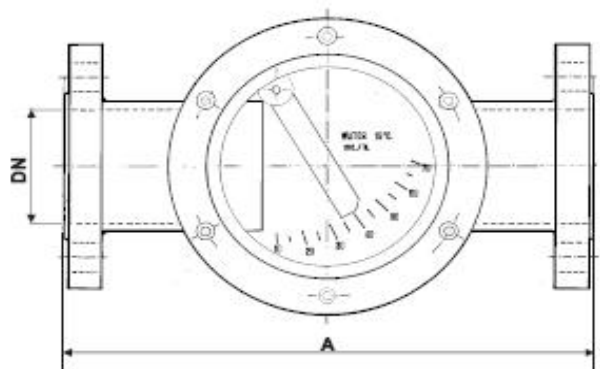


IVFW VISUAL FLOW INDICATORS

Flow indicators with windows and external return for visual control of liquids in industrial processes and sensing external mechanical liquid very dirty. They are made of different materials, indicating movable pallet, a free pass. The attacks can be axial, threaded or flanged. Operating pressure: 10 bar. A request can be made for PN16, PN25, PN40. Installation only in horizontal pipe.



type	Q max mc/h	Flangiato DN	Filettato gas	Dima A
IVFW 40	12	40	1"1/2	260
IVFW 50	20	50	2"	280
IVFW 65	40	65	2"1/2	300
IVFW 80	60	80	3"	330
IVFW 100	100	100	4"	400
IVFW 125	150	125	5"	420
IVFW 150	200	150	6"	420
IVFW 200	250	200	8"	520



SATEMA

13856 VIGLIANO B.SE - Via Milano, 395

Tel. +39 015811102 - Fax 0158853029

Mail: info@satema.it <http://www.satema.it>

IVFW VISUAL FLOW INDICATORS - VERSIONS

Square



Straight

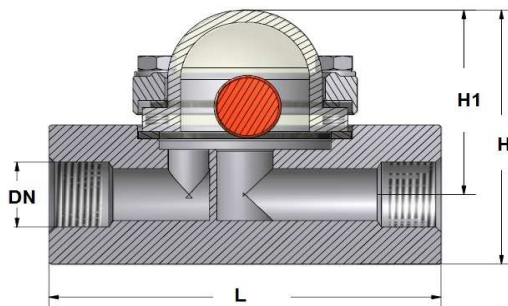


DN 15 - 50
(Covers square)

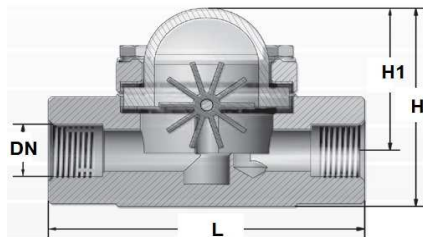


DN 65 - 200
(Covers round)

IVFXSM Indicatore di passaggio in acciaio inox AISI316L con cupola in policarbonato e sfera mobile in moplén.



IVFXSM Indicatore di passaggio in acciaio inox AISI316L con cupola in policarbonato e sfera mobile in moplén.



SATEMA

13856 VIGLIANO B.SE - Via Milano, 395

Tel. +39 015811102 - Fax 0158853029

Mail: info@satema.it <http://www.satema.it>