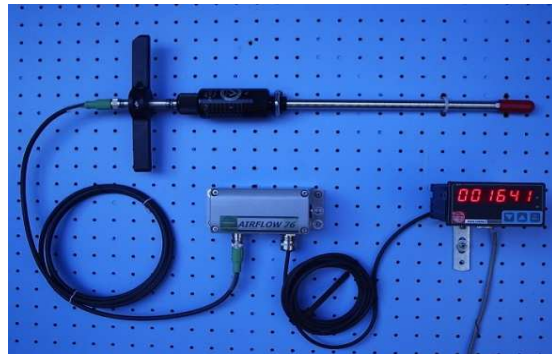


## AIRFLOW76 - AIR SPEED INDUSTRIAL TRANSMITTER

AIRFLOW76 transmitter is a high precision for the retransmission on two distinct outputs of normalized standard speed or flow rate and pulse for the totalization in function of the diameter of the duct up to DN300. The sensor element is based on thin film technology with particular construction technique, to ensure maximum sensitivity in gaseous flows with speeds up to 200 m/s.

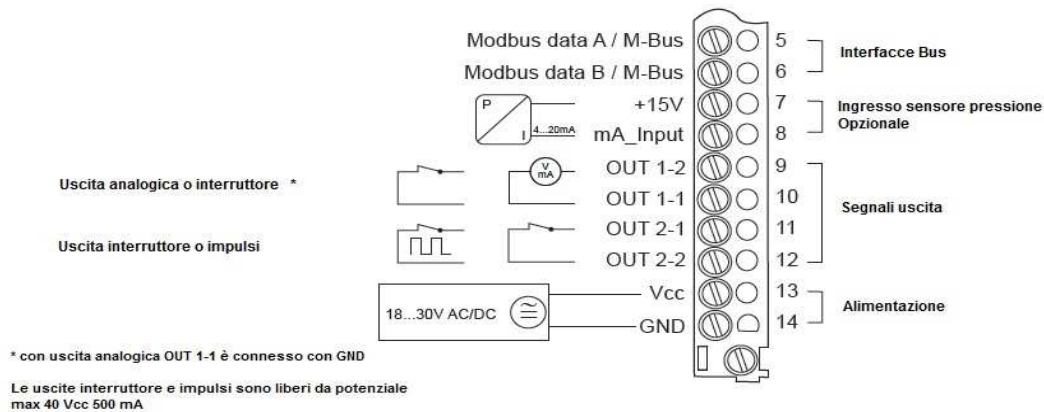
### Applications

- Energy monitoring compressed air, nitrogen, CO2 and other neutral gaseous media up to 16 bar



## TECHNICAL SPECIFICATIONS

Range:	0,2...100 m/s or 0,2...200 m/s								
Accuracy:	(in air @ 9 bar - 23°C) +/- 1,5% m.v. + 0,8% f.s.								
Temperature coefficient:	+/- 0,1% m.v. /°C								
Pressure coefficient:	+ 0,5% m.v./bar								
Response time:	< 1 sec.								
Sample time:	0,5 sec.								
Outputs:	<table border="0"> <tr> <td>Out 1</td> <td>1 x Analogical 0...10V (max 1 mA), ; 0...20 mA o 4...20 mA (&lt;500 Ohm)</td> </tr> <tr> <td></td> <td>Related parameters: standard speed Nm/s; mass flow rate kg/h; flow rate Nm3/h;</td> </tr> <tr> <td>Out 2</td> <td>1 x digital pulse totalization, duration 0.02 ... 2 sec</td> </tr> <tr> <td></td> <td>Related parameter: totalizer Nm3; flow rate Nm3/h; mass flow rate kh/h</td> </tr> </table>	Out 1	1 x Analogical 0...10V (max 1 mA), ; 0...20 mA o 4...20 mA (<500 Ohm)		Related parameters: standard speed Nm/s; mass flow rate kg/h; flow rate Nm3/h;	Out 2	1 x digital pulse totalization, duration 0.02 ... 2 sec		Related parameter: totalizer Nm3; flow rate Nm3/h; mass flow rate kh/h
Out 1	1 x Analogical 0...10V (max 1 mA), ; 0...20 mA o 4...20 mA (<500 Ohm)								
	Related parameters: standard speed Nm/s; mass flow rate kg/h; flow rate Nm3/h;								
Out 2	1 x digital pulse totalization, duration 0.02 ... 2 sec								
	Related parameter: totalizer Nm3; flow rate Nm3/h; mass flow rate kh/h								
Supply:	18...30 V ac/dc - max 200 mA								
Electrical connection:	cable gland M16x1,5								
EM conformity:	EN61326-1 EN61326-2-3								
Materials:	Metallic enclosure AISi3Cu, Probe S.S., Protection sensor PBT, IP65/NEMA4								
Working temperature:	probe = -20...+80°C (+/-0,7°C), electronic = -20...+60°C								
Versions:	remote with separate probe with 2 m cable. (std) on req. 5, 10 m								
Probes:	165 mm standard length (up to DN100) mm. 315 (DN150. .. DN300)								
Option:	Optional Input pressure sensor 4/20 mA - 2 wire - 15V								



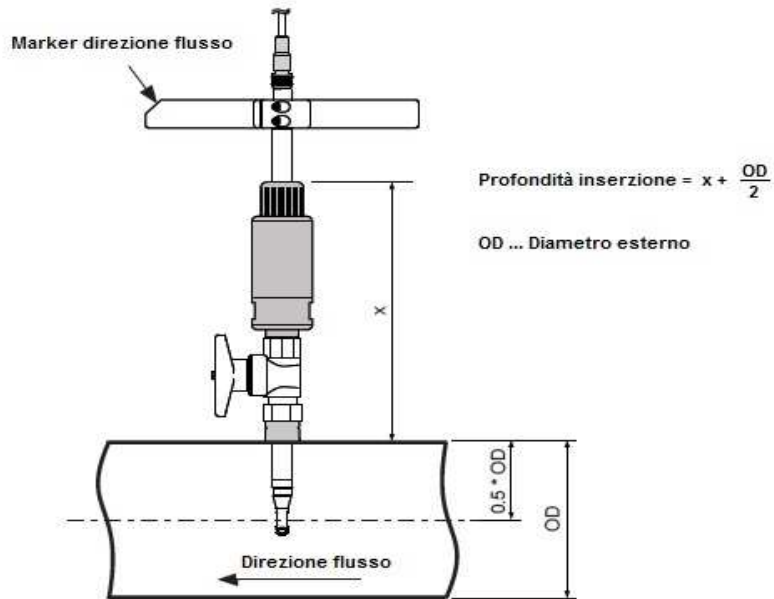
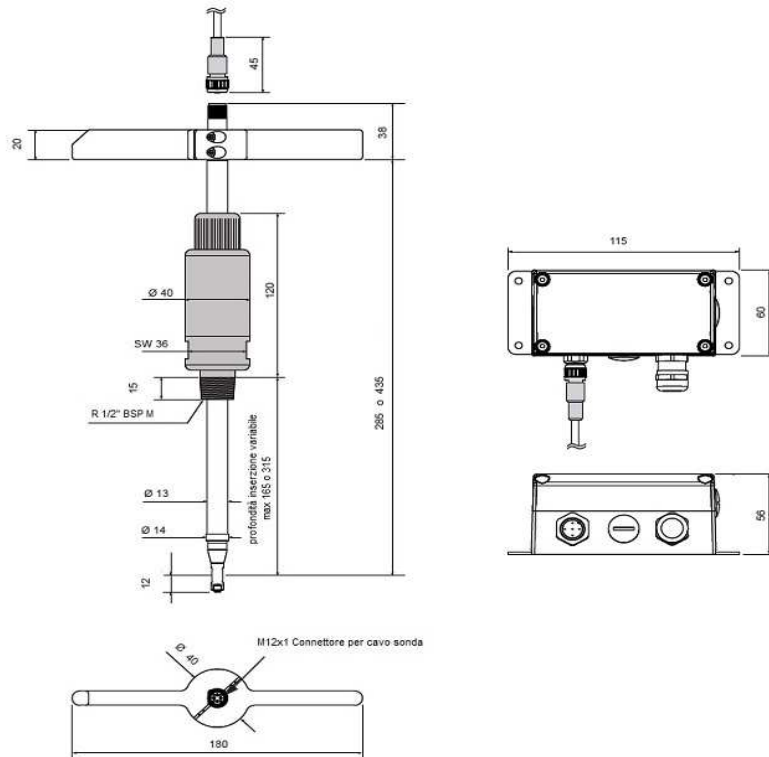
**SATEMA**

13856 VIGLIANO B.SE - Via Milano, 395

Tel. +39 015811102 - Fax 0158853029

Mail: [info@satema.it](mailto:info@satema.it) <http://www.satema.it>

## AIRFLOW76 - DIMENSIONS



**SATEMA**

13856 VIGLIANO B.SE - Via Milano, 395

Tel. +39 015811102 - Fax 0158853029

Mail: [info@satema.it](mailto:info@satema.it) <http://www.satema.it>

## AIRFLOW76 - FLOW TABLE CONFIGURABLE

DN	Internal Diameter mm	Flow Range Nm <sup>3</sup> /h	
		range 0,2...100 Nm/s	range 0,2...200 Nm/s
50	54,5	1,7...839	1,7...1679
65	70,3	2,8...1397	2,8...2793
80	82,5	3,8...1923	3,8...3847
100	107,1	6,5...3242	6,5...6483
125	131,7	9,8...4902	9,8...9803
150	159,3	14,3...7171	14,3...14343
200	206,5	24,1...12051	24,1...24101
250	260,4	38,3...19163	38,3...38325
300	309,7	54,2...27105	54,2...54211

Actual measured flow rate  $Q_v = V_n \cdot$  Sectional area of pipe



**SATEMA**

13856 VIGLIANO B.SE - Via Milano, 395

Tel. +39 015811102 - Fax 0158853029

Mail: [info@satema.it](mailto:info@satema.it) <http://www.satema.it>