

## TPTS\* DARCY S PITOT TUBE

Pitot tubes type S (Darcy) for measuring the speed punctual in chimneys with dirty fluids. Construction straight, ideal for direct immersion insertion into channels of different geometries. Rectilinear recommended 1,5xD upstream, downstream 8,5D.

**Working temperature: 815 °C**

Versions: TPTS\* smoother  
 TPTS\*R adjustable fitting 1" M NPT

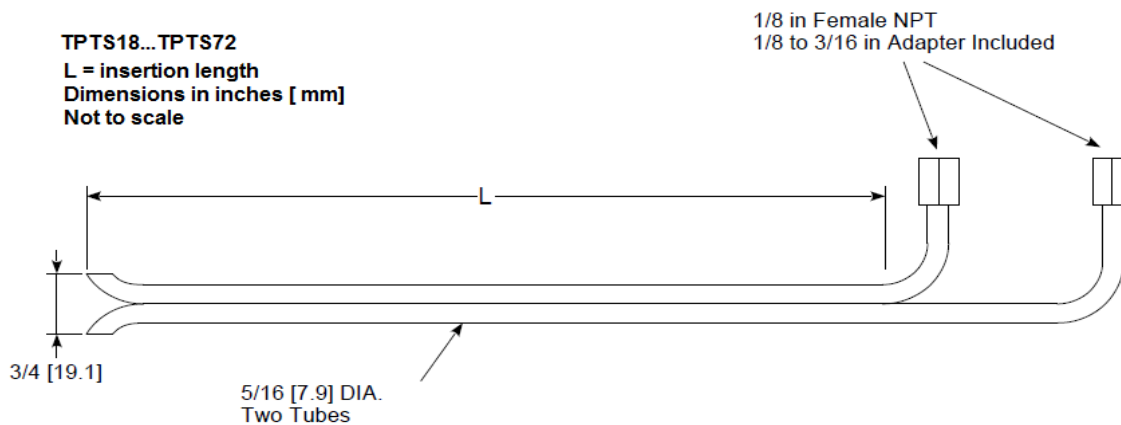


*Pitot tipo S*

	TPTS18	TPTS24	TPS36	TPS48	TPS60	TPS72
	TPTS18R	TPTS24R	TPS36R	TPS48R	TPS60R	TPS72R
Maximum insertion depth mm:	457	607	914	1219	1524	1829
Minimum pipe diameter mm:	100					
Flow coefficient K:	0.84					
Diameter pipe (2 parallel welded tubes):	7.9 mm					

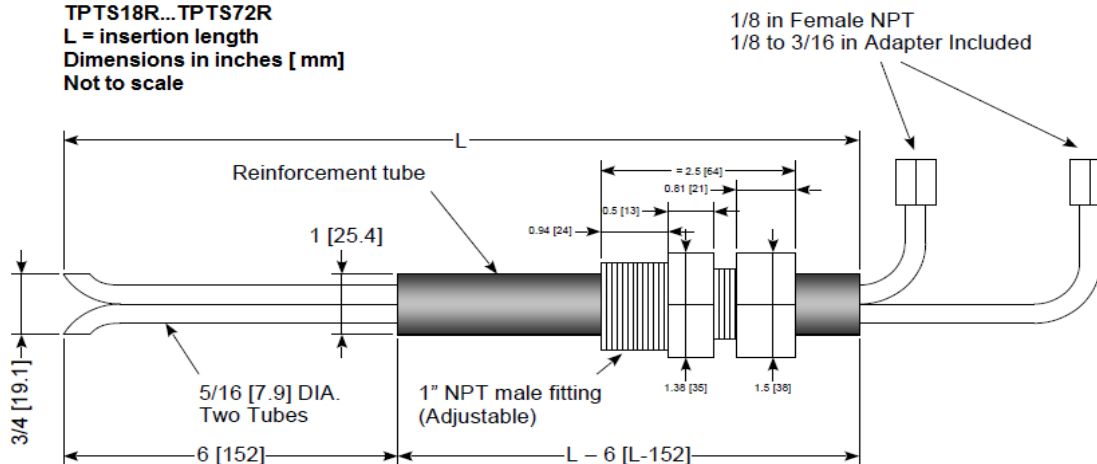
**TPTS18...TPTS72**

L = insertion length  
 Dimensions in inches [ mm]  
 Not to scale



**TPTS18R...TPTS72R**

L = insertion length  
 Dimensions in inches [ mm]  
 Not to scale



**SATEMA**

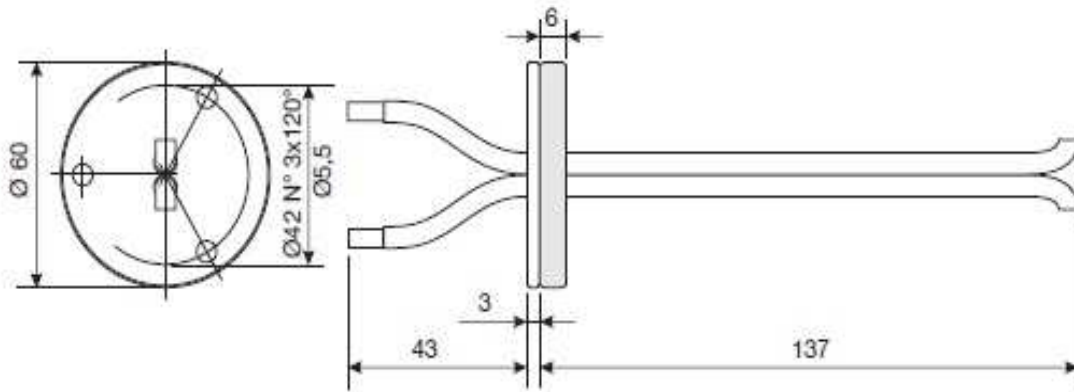
13856 VIGLIANO B.SE - Via Milano, 395  
 Tel. +39 015811102 - Fax 0158853029  
 Mail: [info@satema.it](mailto:info@satema.it) <http://www.satema.it>

## TPTS HVAC DARCY S PITOT TUBE

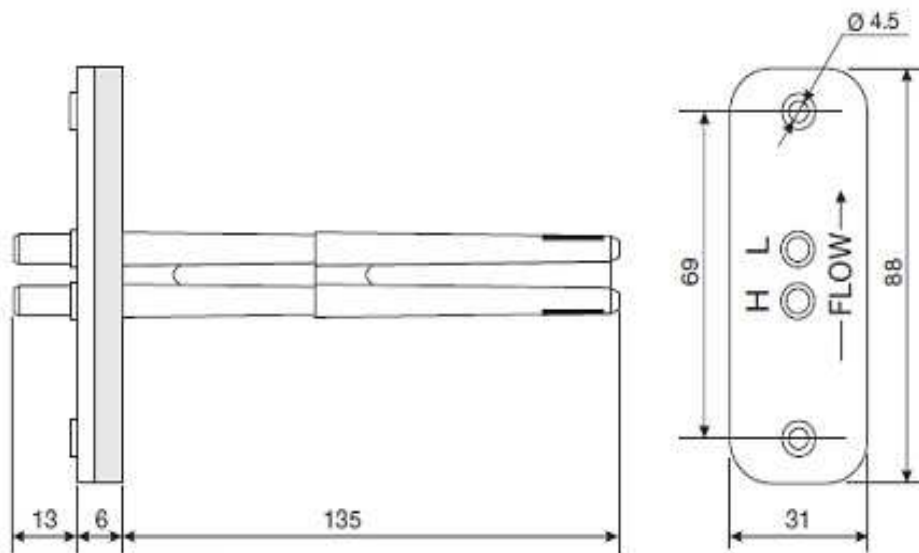
Pitot tubes type S (Darcy) to measure the precise speed in air conditioning ducts and

**TPTS3719** Compact version with straight flange connection, for square or cylindrical channels. Socket impulse for flex hose

**TPTS3721** Version for cylindrical channels. Synthetic material. Socket impulse for flex hose 6.4 mm. Rectangular flange



TPTS3719



TPTS3721



**SATEMA**

13856 VIGLIANO B.SE - Via Milano, 395

Tel. +39 015811102 - Fax 0158853029

Mail: [info@satema.it](mailto:info@satema.it) <http://www.satema.it>