

## WPM - PISTON METERING PUMPS

Dosing pump with positive displacement of the volumetric flow rate by handle adjustment between 0 and 100% of the max stroke. Composed of an electric motor driven by an eccentric crank, a plunger housed in the pump body equipped with suction and discharge valves. Pump body available in different materials on function of the fluid to be metered.



Options available:

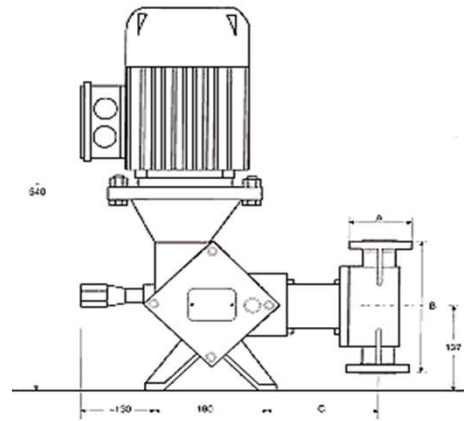
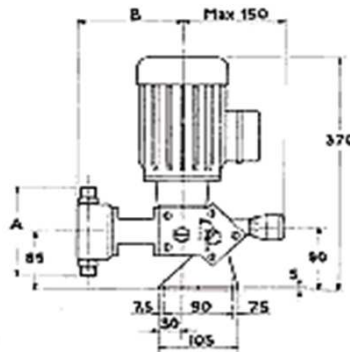
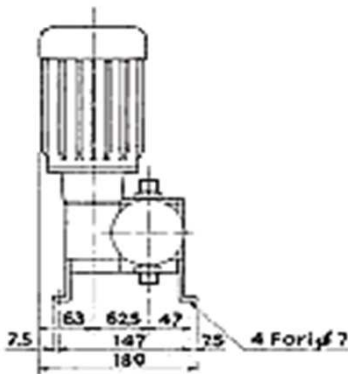
- version with pulse counter for batching dosages
- version with remote pneumatically operated and flow control (positioner signal 3/15 psi)
- version with remote electrical actuation and flow control (positioner signal 4/20mA)

## TECHNICAL SPECIFICATIONS

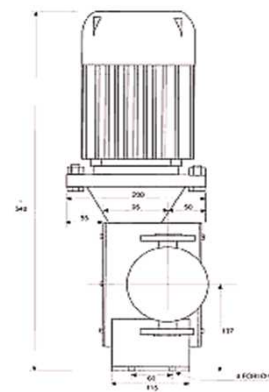
Executions:	type 1	type 2	type 3	type 4	type 5
Pump head	SS 316	SS 304	PVC	SS 316	SS 304
Plunger	SS 316	SS 304	Ceramic	Ceramic	SS 420
Valve	SS 316	SS 304	pyrex	SS 316	SS 420
Valve seat	SS 316	SS 304	PVC	SS 316	SS 420
Plunger seal	Viton	Viton	Viton	Viton	Dutral

*Possibility of providing the piston with a heating or cooling jacket*

Engine motor: CVE standard three-phase 1 or 1.5 HP, 220/380 Volts 50Hz IP44 B5  
 Suction height: 4 m (NPSH)  
 Working temperature: body PVC 50°C, body SS 100°C  
 Suction/discharge valves: single row ball



PISTON DIAMETER	WPM10-15		WPM25-35		
	A mm type 1 (3)	B mm type 1 (3)	A mm type 1-2 (3)	B mm type 1-2 (3)	C mm type 1-2 (3)
10	200 (245)	120 (120)			
20	130 (160)	120 (120)			
25	130 (160)	120 (120)		135 (160)	180 (170)
38	130 (185)	125 (140)	95 (110)	165 (170)	180 (170)
48	140 (190)	150 (150)	95 (110)	165 (170)	180 (170)
64	185 (215)	115 (145)	115 (120)	215 (220)	180 (180)
89			150 (160)	275 (285)	185 (195)



**SATEMA**

13856 VIGLIANO B.SE - Via Milano, 395

Tel. +39 015811102 - Fax 0158853029

Mail: [info@satema.it](mailto:info@satema.it) <http://www.satema.it>

## MODELS

	Stroke	Piston	Capacity max l/h		Pressure max bar		Connections	
			60 strokes/1"	120 strokes1"	type 1-2	type 3	type 1-2	type 3
<b>WPM10</b>	10	10	2.8	5.6	30	10	3/8" GM	3/8" GF
<b>WPM15</b>	15	10	4.2	8.4	30	10	3/8" GM	3/8" GF
<b>WPM18</b>	18	10	5	10	30	10	3/8" GM	3/8" GF
<b>WPM10</b>	10	20	11.3	22	30	10	3/8" GM	3/8" GF
<b>WPM15</b>	15	20	16.9	33	30	10	3/8" GM	3/8" GF
<b>WPM18</b>	18	20	20	40	30	10	3/8" GM	3/8" GF
<b>WPM10</b>	10	25	17	35	30	10	3/8" GM	3/8" GF
<b>WPM15</b>	15	25	26	52	30	10	3/8" GM	3/8" GF
<b>WPM18</b>	18	25	31	62	30	10	3/8" GM	3/8" GF
<b>WPM25</b>	25	25	44	88	30	10	1/2" GM	1/2" GF
<b>WPM35</b>	35	25	62	124	30	10	1/2" GM	1/2" GF
<b>WPM10</b>	10	38	40	81	13	10	1/2" GM	1/2" GF
<b>WPM15</b>	15	38	61	122	13	10	1/2" GM	1/2" GF
<b>WPM18</b>	18	38	73	146	13	10	1/2" GM	1/2" GF
<b>WPM25</b>	25	38	96	192	28	10	DN15	DN15
<b>WPM35</b>	35	38	135	270	28	10	DN15	DN15
<b>WPM10</b>	10	48	64	128	8	8	1/2" GM	1/2" GF
<b>WPM15</b>	15	48	96	192	8	8	1/2" GM	1/2" GF
<b>WPM18</b>	18	48	117	234	8	8	1/2" GM	1/2" GF
<b>WPM25</b>	25	48	163	326	17	10	DN15	DN15
<b>WPM35</b>	35	48	228	456	17	10	DN15	DN15
<b>WPM10</b>	10	54	82	164	6	6	3/4" GM	3/4" GF
<b>WPM15</b>	15	54	123	246	6	6	3/4" GM	3/4" GF
<b>WPM18</b>	18	54	148	296	6	6	3/4" GM	3/4" GF
<b>WPM10</b>	10	64	115	231	4	4	3/4" GM	3/4" GF
<b>WPM15</b>	15	64	172	347	4	4	3/4" GM	3/4" GF
<b>WPM18</b>	18	64	208	416	4	4	3/4" GM	3/4" GF
<b>WPM25</b>	25	64	289	578	9	9	DN25	DN25
<b>WPM35</b>	35	64	405	810	9	9	DN25	DN25
<b>WPM25</b>	25	89	559	1118	5	5	DN40	DN40
<b>WPM35</b>	35	89	783	1566	5	5	DN40	DN40



**SATEMA**

13856 VIGLIANO B.SE - Via Milano, 395

Tel. +39 015811102 - Fax 0158853029

Mail: [info@satema.it](mailto:info@satema.it) <http://www.satema.it>