

SX* - ISO GLANDLESS SPOOL VALVES

NITUFF® coated non-corrosive spool and sleeve for long trouble free life (100 million plus cycles)
ISO Size #1, #2, #3 (#4 contact Satema technical Office)

Fluid: Compressed air, 40µm filtered, lubricated or nonlubricated
Ambient temperature: -15...+50°C solenoid pilot; -15...+80°C air pilot
22 mm coil industrial standard :
18PNLQM4813J21 24VDC 2W
18PNLQM4814J21 24VAC 50-60Hz 4/2,5 VA
18PNLQM4818J21 110/120VAC 50-60Hz 4/2,5 VA
18PNLQM4819J21 220/240VAC 50-60Hz 6/5 VA



5/2 - SOLENOID PILOT ACTUATED VALVES - INTERNAL PILOT SUPPLY					
Actuation /Repositioning	ISO	Flow l/min	Pressure bar	Code	Drawing
Solenoid/Spring return	1	1230	1.8...10	SXE9573A8100	1
	2	2450	1.8...10	SXE9574A8100	1
	3	4400	1.8...10	SXE9575A7100	1
Solenoid / Air spring return	1	1230	1...10	SXE9573A8000	1
	2	2450	1...10	SXE9574A8000	1
	3	4400	1...10	SXE9575A7000	1
Solenoid / Solenoid	1	1230	2...10	SXE0573A6000	2
	2	2450	2...10	SXE0574A6000	2
	3	4400	2...10	SXE0575A5000	2
5/3 - SOLENOID PILOT ACTUATED VALVES - INTERNAL PILOT SUPPLY					
Actuation /Repositioning	ISO	Flow l/min	Pressure bar	Code	Drawing
Solenoid/Solenoid APB All ports blocked	1	1230	2...10	SXE9673A6000	2
	2	2450	2...10	SXE9674A6000	2
	3	4400	2...10	SXE9675A5000	2
Solenoid/Solenoid COE Center open exhaust	1	1230	2...10	SXE9773A6000	2
	2	2450	2...10	SXE9774A6000	2
	3	4400	2...10	SXE9775A5000	2
Solenoid / Solenoid COP Center open pressure	1	1230	2...10	SXE9873A6000	2
	2	2450	2...10	SXE9874A6000	2
	3	4400	2...10	SXE9875A5000	2
5/2 - AIR PILOT ACTUATED VALVES					
Actuation /Repositioning	ISO	Flow l/min	Pressure bar	Code	Drawing
Air / Spring return	1	1230	-0.9...16	SXP957318000	3
	2	2450	-0.9...16	SXP957418000	3
	3	4400	-0.9...16	SXP957517000	3
Solenoid/Solenoid COE Center open exhaust	1	1230	-0.9...16	SXP057318000	3
	2	2450	-0.9...16	SXP057418000	3
	3	4400	-0.9...16	SXP057517000	3
5/3 - AIR PILOT ACTUATED VALVES					
Actuation /Repositioning	ISO	Flow l/min	Pressure bar	Code	Drawing
Air / Air APB	1	1230	-0.9...16	SXP967318000	3
	2	2450	-0.9...16	SXP967418000	3
	3	4400	-0.9...16	SXP967517000	3
Air / Air COE	1	1230	-0.9...16	SXP977318000	3
	2	2450	-0.9...16	SXP977418000	3
	3	4400	-0.9...16	SXP977517000	3
Air / Air COP	1	1230	-0.9...16	SXP987318000	3
	2	2450	-0.9...16	SXP987418000	3
	3	4400	-0.9...16	SXP987517000	3

Note: Integral flow controls for cylinder speed control on size #1, and #2 models



SATEMA

13856 VIGLIANO B.SE - Via Milano, 395

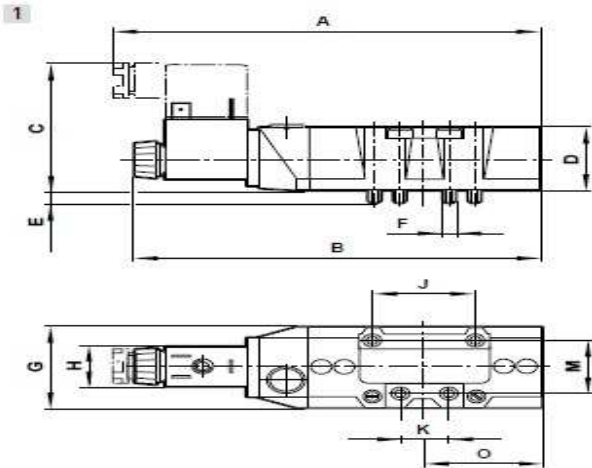
Tel. +39 015811102 - Fax 0158853029

Mail: info@satema.it <http://www.satema.it>

ON SUB-BASES SPOOL VALVES - ISO

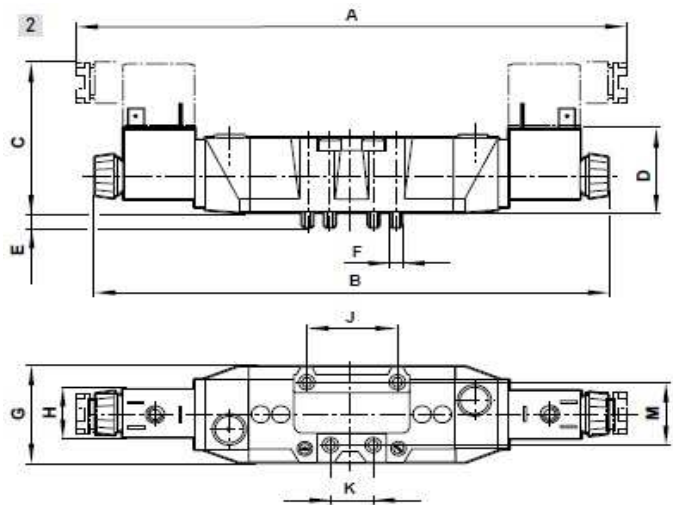
SINGLE SOLENOID

Drawing 1	ISO 1	ISO 2	ISO 3
A	153	181	207,5
B	144	173	197
C	65	71	72
D	33	42	43
E	7,5	8	11,5
F	M5	M6	M8
G	42	55	62,5
H	22	22	22
J	36	48	64
K	18	24	32
M	28	38	48
O	42	53	65,5



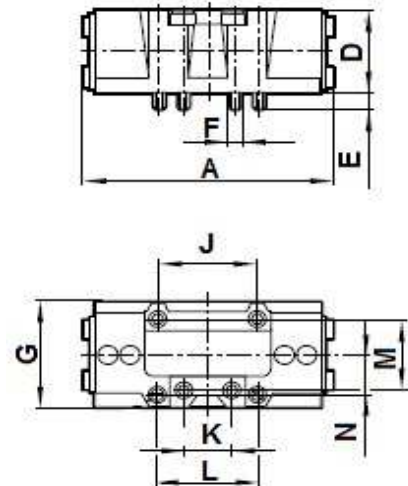
DOUBLE SOLENOID

Drawing 2	ISO 1	ISO 2	ISO 3
A	222	255	284
B	204	239	263
C	65	71	72
D	33	42	43
E	7,5	8	11,5
F	M5	M6	M8
G	42	55	62,5
H	22	22	22
J	36	48	64
K	18	24	32
M	28	38	48



SINGLE AND DOUBLE AIR PILOT VALVES

Drawing 3	ISO 1		ISO 2		ISO 3
	Single	Double	Single	Double	
A	88.5	93	109	120	170
B	36	36	48	48	64
C	18	18	24	24	32
D	42	42	55	55	62.5
E	28	28	38	38	48
G	M5	M5	M6	M6	M8
H	33	33	42	42	47
J	7	7	8	8	8.5
L	-	-	-	-	145



SATEMA

13856 VIGLIANO B.SE - Via Milano, 395

Tel. +39 015811102 - Fax 0158853029

Mail: info@satema.it <http://www.satema.it>

VDMA 24345 BASE RANGE

SINGLE STATION SUB-BASE SIDE PORTED	
Size	Code
ISO1	MP19126
ISO2	MP19132
ISO3	MP19138



MODULAR SUB-BASE Bottom Ported		END PLATES
Size	Code	Code
ISO1	CQM22152321	CQM22152322
ISO2	CQM22253321	CQM22253322
ISO3	CQM22456321	CQM22354321



SATEMA

13856 VIGLIANO B.SE - Via Milano, 395

Tel. +39 015811102 - Fax 0158853029

Mail: info@satema.it <http://www.satema.it>