

SX* - ISO GLANDLESS SPOOL VALVES

NITUFF® coated non-corrosive spool and sleeve for long trouble free life (100 million plus cycles)

ISO Size #1, #3

Fluid: Compressed air, 40• m filtered, lubricated or nonlubricated

Ambient temperature: -15...+80°C



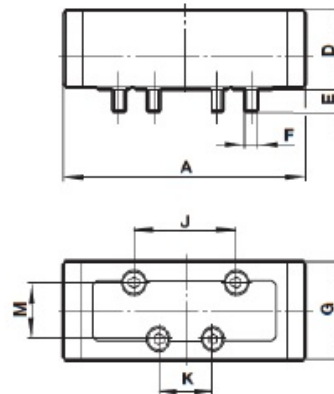
5/2 - AIR PILOT ACTUATED VALVES

Actuation /Repositioning	ISO	Flow l/min	Pressure bar	Code	Drawing
Air/Air	1	1200	-0,9...16	18VISO-UM/22152/3	4
	3	4150	-0,9...16	18VISO-UM/22354/3	4

AIR Actuation /Repositioning

Drawing 4	ISO 1	ISO 3
A	107	138
D	32	45
E	9,5	14
F	M5	M8
G	42,5	68
J	36	64
K	18	32
M	28	48

Drawing 4



INTERMEDIATE SUB-BASES WITH REAR OR BOTTOM OUTPUTS	
Size	Code
ISO1 1/4	18VISO-CQM22152/3/27
ISO2 3/8	18VISO-CQM22153/3/27

UNIVERSAL INLET AND EXHAUST TERMINAL	
Size	Code
ISO1 1/4	18VISO-CQM22152/3/31
ISO2 3/8	18VISO-CQM22153/3/31



MODULAR BASE COLLECTOR FORM C		FORM D TERMINALS
Size	Code	Code
ISO3	18VISO-CQM22456/3/21	18VISO-CQM22354/3/21



SATEMA

13856 VIGLIANO B.SE - Via Milano, 395

Tel. +39 015811102

Mail: info@satema.it

<http://www.satema.it>