

V6* - DIRECTIONAL CONTROL VALVES

V60-V61-V62-V63 - Diameters 1/8" - 1/4" - 3/8" - 1/2" Funcions 3/2, 5/2, 5/3

Fluid: Compressed air, filtered to 50 µm, lubricated or non-lubricated
 Temperature: -10...+50°C
 Materials: Housing and base plate: aluminum; Spindle: stainless steel; Piston, spacers and cover: synthetic material; Static and dynamic seals: NBR; Screws: zinc plated; Springs: stainless steel

22 mm coil industrial standard :
18PNLQM4813J21 24VDC 2W
18PNLQM4814J21 24VAC 50-60Hz 4/2,5 VA
18PNLQM4818J21 110/120VAC 50-60Hz 4/2,5 VA
18PNLQM4819J21 220/240VAC 50-60Hz 6/5 VA

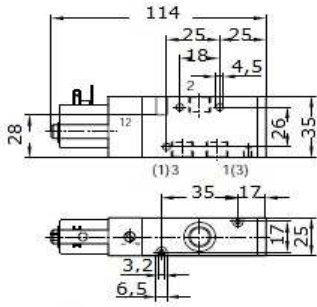
3/2 - MANUAL OVERRIDE					
Actuation /Repositioning	Diameter	Flow l/min	Pressure bar	Code *	Drawing No (Dis)
Solenoid/Air spring return	1/8"	750	2...8	V60A413A	1
	1/4"	1300	2...8	V61B413A	1
	3/8"	2600	2...8	V62C413A	1
	1/2"	4200	2...8	V63D413A	4
Solenoid/Spring return	1/8"	750	2...8	V60A417A	2
	1/4"	1300	2...8	V61B417A	2
	3/8"	2600	2...8	V62C417A	2
	1/2"	4200	2...8	V63D417A	5
Solenoid/Solenoid	1/8"	750	1.5...8	V60A411A	3
	1/4"	1300	1.5...8	V61B411A	3
	3/8"	2600	1.5...8	V62C411A	3
	1/2"	4200	1.5...8	V63D411A	6
5/2 - MANUAL OVERRIDE					
Actuation /Repositioning	Diameter	Flow l/min	Pressure bar	Code *	Drawing No (Dis)
Solenoid/Air spring return	1/8"	750	2...8	V60A513A	8
	1/4"	1300	2...8	V61B513A	8
	3/8"	2600	2...8	V62C513A	8
	1/2"	4200	2...8	V63D513A	11
Solenoid/Spring return	1/8"	750	2...8	V60A517A	9
	1/4"	1300	2...8	V61B517A	9
	3/8"	2600	2...8	V62C517A	9
	1/2"	4200	2...8	V63D517A	12
Solenoid/Solenoid	1/8"	750	1.5...8	V60A511A	10
	1/4"	1300	1.5...8	V61B511A	10
	3/8"	2600	1.5...8	V62C511A	10
	1/2"	4200	1.5...8	V63D511A	13
5/3 - MANUAL OVERRIDE					
Actuation /Repositioning	Diameter	Flow l/min	Pressure bar	Code *	Drawing No (Dis)
Solenoid/Solenoid APB ports blocked	All 1/8"	500	2...8	V60A611A	14
	All 1/4"	950	2...8	V61B611A	14
	All 3/8"	1900	2...8	V62C611A	14
	All 1/2"	2200	2...8	V63D611A	15
Solenoid/Solenoid COE Center open exhaust	1/8"	500	2...8	V60A711A	14
	1/4"	950	2...8	V61B711A	14
	3/8"	1900	2...8	V62C711A	14
	1/2"	2200	2...8	V63D711A	15
Solenoid/Solenoid COP Center open pressure	1/8"	500	1.5...8	V60A811A	14
	1/4"	950	1.5...8	V61B811A	14
	3/8"	1900	1.5...8	V62C811A	14



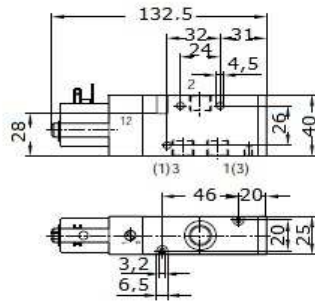
SATEMA

13856 VIGLIANO B.SE - Via Milano, 395
 Tel. +39 015811102 - Fax 0158853029
 Mail: info@satema.it <http://www.satema.it>

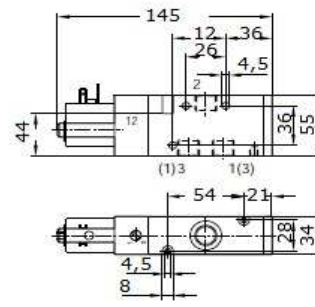
DIRECTIONAL CONTROL VALVES



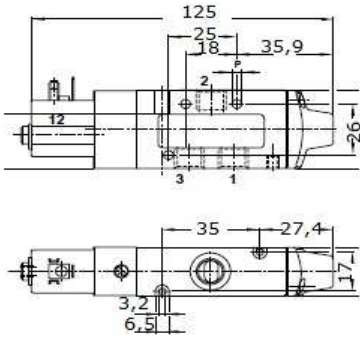
Dis. 1 V60



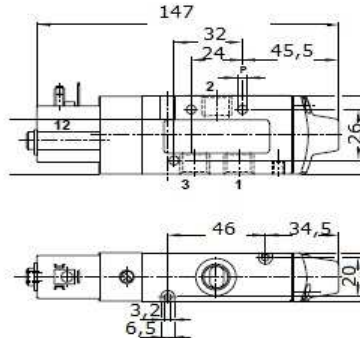
Dis. 1 V61



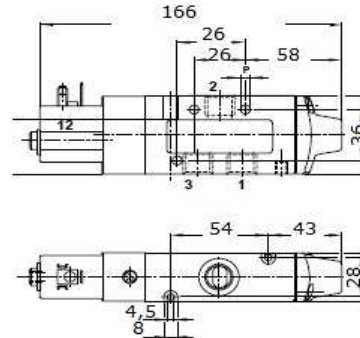
Dis. 1 V62



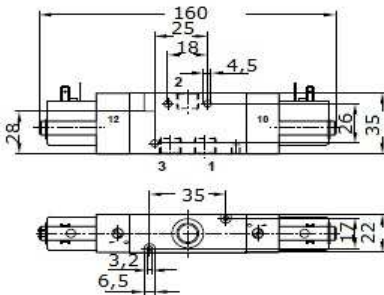
Dis. 2 V60



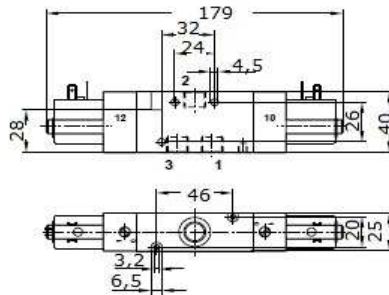
Dis. 2 V61



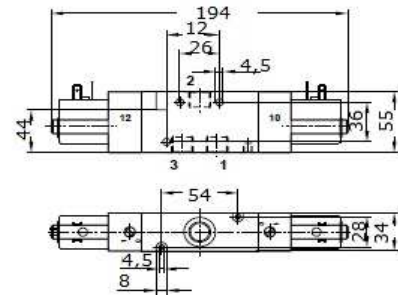
Dis. 2 V62



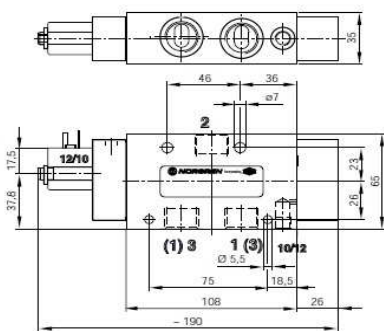
Dis. 3 V60



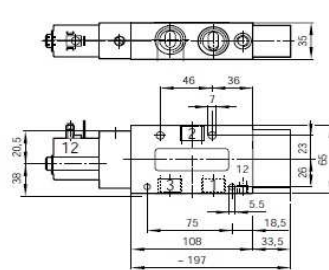
Dis. 3 V61



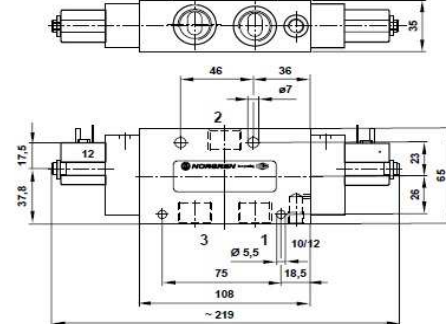
Dis. 3 V62



Dis. 4 V63



Dis. 5 V63



Dis. 6 V63



SATEMA

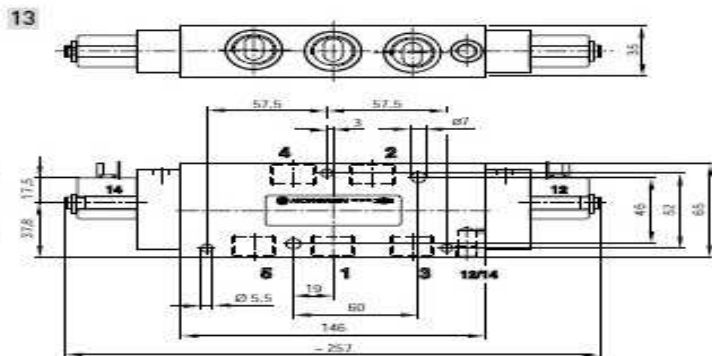
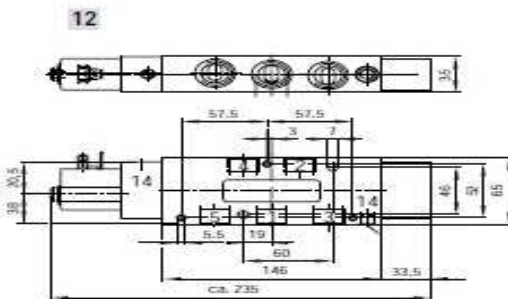
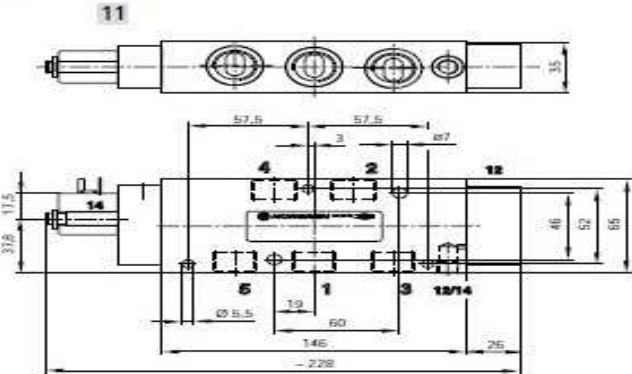
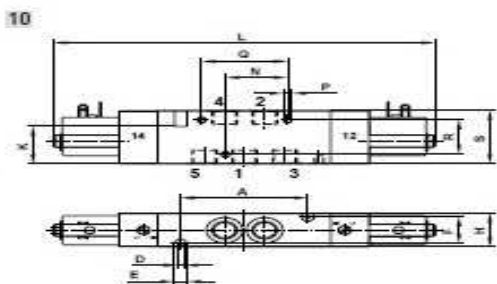
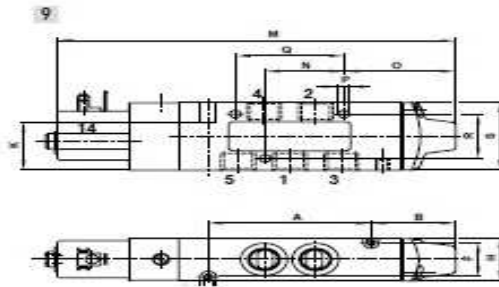
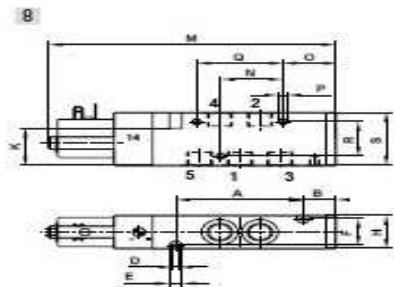
13856 VIGLIANO B.SE - Via Milano, 395

Tel. +39 015811102 - Fax 0158853029

Mail: info@satema.it <http://www.satema.it>

DIRECTIONAL CONTROL VALVES

	V60			V61			V62		
	Drawing 8	Drawing 9	Drawing10	Drawing 8	Drawing 9	Drawing10	Drawing 8	Drawing 9	Drawing10
A	50	50	50	66	66	66	78	78	78
B	17	17	-	20	34.5	-	21	43	-
D	3.2	3.2	3.2	3.2	3.2	3.2	4.5	4.5	4.5
E	6.5	6.5	6.5	6.5	6.5	6.5	8	8	8
F	17	17	17	20	20	20	28	28	28
H	22	22	22	25	25	25	34	34	34
K	28	28	28	28	28	28	44	44	44
L	-	-	175	-	-	199	-	-	218
M	129	140	-	152.5	167	-	170	191	-
N	25	25	25	32	32	32	12	12	12
O	25	35.7	-	31	45,5	-	60	82	-
P	4.5	4.5	4.5	4.5	4.5	4.5	4.5	4.5	4.5
Q	33.6	33.6	33.6	44	44	44	26	26	26
R	26	26	26	26	26	26	36	36	36
S	35	35	35	40	40	40	55	55	55



SATEMA

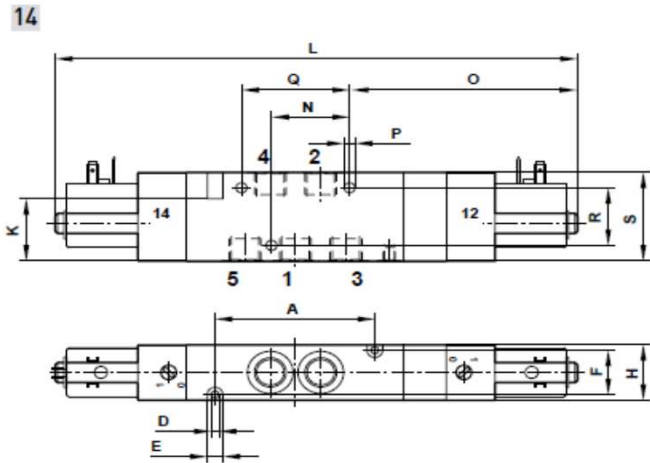
13856 VIGLIANO B.SE - Via Milano, 395

Tel. +39 015811102 - Fax 0158853029

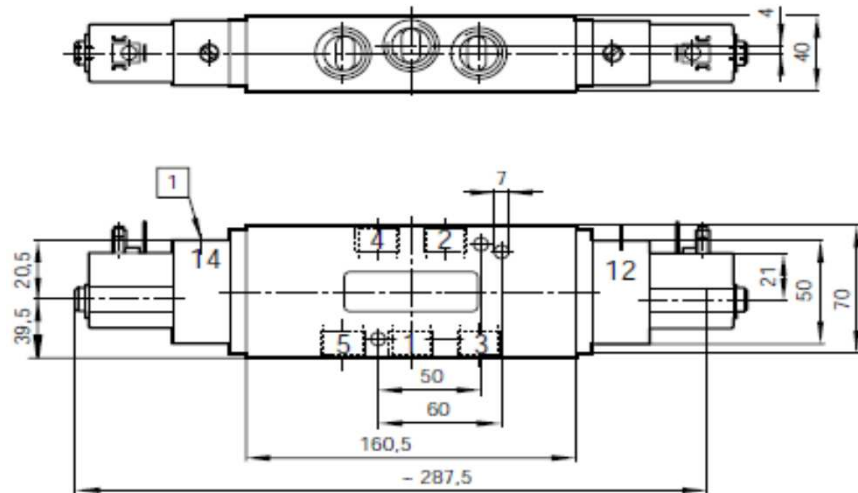
Mail: info@satema.it <http://www.satema.it>

DIRECTIONAL CONTROL VALVES

	Drawing 14		
	V60	V61	V62
A	50	66	78
B	-	-	-
D	3.2	3.2	4.5
E	6.5	6.5	8
F	17	20	28
H	22	25	34
K	28	28	44
M	189	217	241
N	25	32	12
O	84.5		132
P	4.5	4.5	4.5
Q	33.6	44	26
R	26	26	36
S	35	40	55



15



SATEMA

13856 VIGLIANO B.SE - Via Milano, 395

Tel. +39 015811102 - Fax 0158853029

Mail: info@satema.it <http://www.satema.it>