

F7* AIR TREATMENT FILTERS

GENERAL FILTERS EXCELON SERIES F72G, F73G, F74G MODELS

G1/4 to G3/4

Fluid:

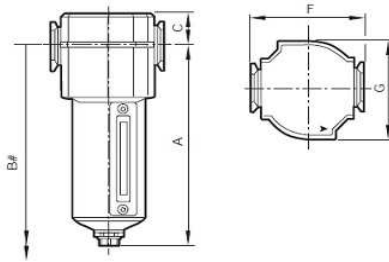
- Only compressed air

Inlet Pressure:

- 10 bar max

Ambient temperature:

- +2... +50°C (on request -34...50°C)



Dimensions

Model	Drain	Diameter	Code	A	B	C	F	G	Flow dm ³ /s	
F72 Clear cup	Auto	1/4"	F72G2GNAL3	141	192	19	50	48	30	
		3/8"	F72G3GNAL3							
	Manual	1/4"	F72G2GNQT3	134	185	19	50			
		3/8"	F72G3GNQT3							
F73 Clear cup	Auto	3/8"	F73G3GNAT3	147	207	25	68	62	35	
		1/2"	F73G4GNAT3						38	
	Manual	3/8"	F73G3GNQT3	156	216	25	68		62	35
		1/2"	F73G4GNQT3							38
74 Protected clear cup	Auto	1/2"	F74G4GNAP3	161	230	25	80	74		83
		3/4"	F74G6GNAP3							
	Manual	1/2"	F74G4GNQP3	177	246	25	80			
		3/4"	F74G6GNQP3							

B# minimum clearance for removal cup

OIL REMOVING FILTERS EXCELON SERIES F72C, F73C, F74C/H SERIES

G1/4 to G3/4

Fluid:

Only compressed air

Inlet pressure:

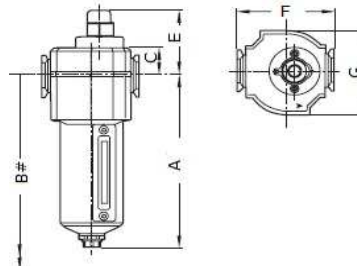
10 bar max clear or protected cup;

8 bar max 72C model automatic drain

Ambient temperature: 2... +50°C (on request -34...50°C)

Residual oil content: 0.01 mg/m³ @ 21°C

Particles removed: 0.01 µm



Model	Drain	Diameter	Code	A	B	C	E	F	G	Flow dm ³ /s		
F72C Transp. Cup	Auto	1/4"	F72C2GDAL0	141	192	19	53	50	48	4.5		
		3/8"	F72C3GDAL0									
	Manual	1/4"	F72C2GDQTO	134	185	19		60			50	
		3/8"	F72C3GDQTO									
F73C Transp. Cup	Auto	3/8"	F73C2GDAT0	147	207	25	60		68	62	10	
		1/2"	F73C4GDAT0									
	Manual	3/8"	F73C3GDQTO	156	216	25		60	68			
		1/2"	F73C4GDQTO									
F74C Protected Cup	Auto	1/2"	F74C4GDAP0	161	230	25	60		80	74	16	
		3/4"	F74H6GDAP0								28	
	Manual	1/2"	F74C4GDQP0	177	246	25		60	80		74	16
		3/4"	F74H6GDQP0									28



SATEMA

13856 VIGLIANO B.SE - Via Milano, 395

Tel. +39 015811102 - Fax 0158853029

Mail: info@satema.it <http://www.satema.it>

R7* - AIR TREATMENT - REGULATORS & FILTERS REGULATORS

PRESSURE REGULATORS R72G - R73G - R74G MODELS

G1/4 to G3/4

Fluid: Compressed air
 Inlet pressure: 20 bar max
 Gauge port: G1/8 Female
 Amb. Temperature: +2°C ...65°C (R72G), +80°C (R73-R74)
 On request for use below + 2 ° C
 Setting range: 0.3...10 bar
 Standard relieving
 Lockable knob

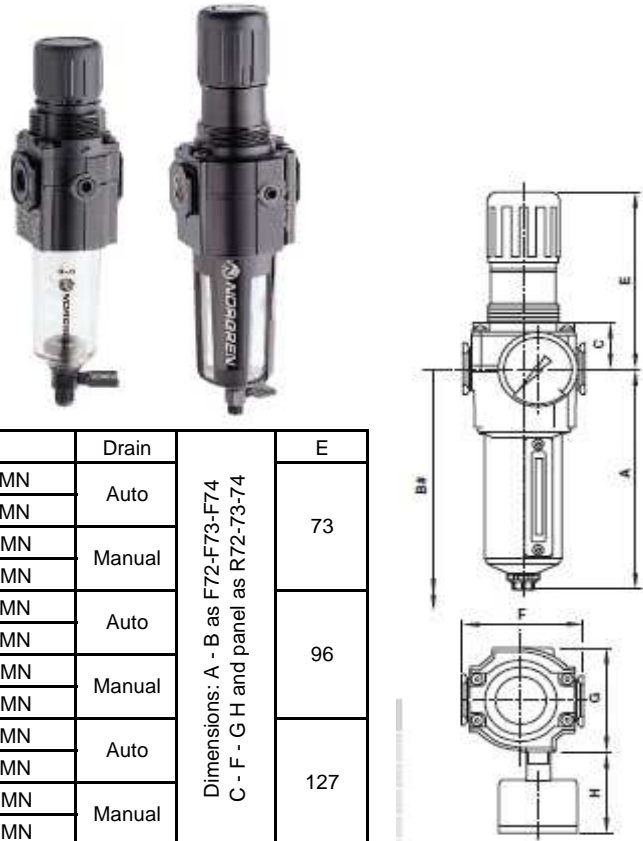


Model	Diameter	Flow dm3/s	Code	A	B	C	F	G	H	D. Panel (thickness)
R72	1/4"	33	R72G2GKRMN	73	33	26	50	48	35	40 (0...4)
	3/8"		R72G3GKRMN							
R73	3/8"	60	R73G3GKRMN	96	39	31	68	62	56	48 (2...6)
	1/2"		R73G4GKRMN							
R74	1/2"	105	R74G4GKRMN	127	43	31	80	74	56	52 (2...6)
	3/4"		R74G6GKRMN							

FILTERS-REGULATORS B72G - B73G - B74G MODELS

G1/4 to G3/4

Fluid: compressed air
 Inlet pressure: 10 bar max
 Gauge port: G1/8 Female
 Amb. temperature: +2°C ...65°C (R72G), +80°C (R73-R74)
 On request for use below + 2 ° C
 Setting range: 0.3...10 bar
 Standard relieving
 Lockable knob



Model	Diameter	Flow dm3/s	Code	Drain	E
B72 Clear cup	1/4"	38	B72G2GKAL3RMN	Auto	73
	3/8"		B72G3GKAL3RMN	Auto	
	1/4"		B72G2GKQT3RMN	Manual	
	3/8"		B72G3GKQT3RMN	Manual	
B73 Clear Cup	3/8"	50	B73G3GKAT3RMN	Auto	96
	1/2"		B73G4GKAT3RMN	Auto	
	3/8"		B73G3GKQT3RMN	Manual	
	1/2"		B73G4GKQT3RMN	Manual	
B74 Protected Clear Cup	1/2"	100	B74G4GKAP3RMN	Auto	127
	3/4"		B74G6GKAP3RMN	Auto	
	1/2"		B74G4GKQP3RMN	Manual	
	3/4"		B74G6GKQP3RMN	Manual	

Dimensions: A - B as F72-F73-F74
C - F - G H and panel as R72-73-74



SATEMA

13856 VIGLIANO B.SE - Via Milano, 395
 Tel. +39 015811102 - Fax 0158853029
 Mail: info@satema.it <http://www.satema.it>

L7* - AIR TREATMENT LUBRICATORS

LUBRICATORS L72 - L73 - L74 MODELS

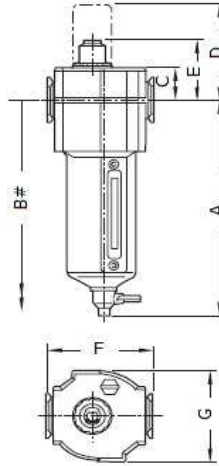
G1/4" to G3/4"

The flow sensor provides a ratio oil / air almost constant over a wide range of flow.

360° complete visibility, thanks to the clear dome for easy oil quantity adjustment.

Micro-fog lubricators for optimum lubrication in pneumatic systems standard

Fluids: Compressed air
 Inlet pressure: 10 bar max
 Start point dm³/s : L72=0.94, L73=0.71, L74=0.94
minimum flow required for lubricator operation at 6,3 bar
 Bowl capacity (Liters): L72 0.05 l, L73 0.10 l, L74 0.20 l
 Amb. temperature: +2°C...+50°C



Model	Diameter	Flow dm ³ /s	Code	A	B	C	D	E	F	G
L72 Clear cup	1/4"	24	L72M2GPETN	110	191	19	64	41	50	48
	3/8"		L72M3GPETN							
L73 Clear cup	3/8"	64	L73M3GPETN	156	255	25	70	47	68	62
	1/2"		L73M4GPETN							
L74 clear cup	1/2"	70	L74M4GPQPN	177	276	25	68	47	80	74
	3/4"		L74M6GPQPN							

A7* - AIR TREATMENT - ACCESSORIES

ACCESSORIES 72 - 73 - 74 SERIES

	72	73	74
Wall mounting bracket	4224-50	4424-50	4324-50
Mounting bracket	74316-50	4461-50	4368-51
Rapid clamp	4214-51	4314-51	4314-51
Rapid clamp with bracket	4214-52	4314-52	4314-52



Fissaggio a parete/pannello



Fissaggio su pannello o muro



Morsetto rapido aggancio apparecchi



Morsetto rapido aggancio apparecchi con staffa fissaggio

GAUGE		diam. 40	diam. 50
Type	Range	07ACCM040AP012	07ACCM050AF012
standard	0-12 bar	Back connection 1/8 "	Back connection 1/8" and panel flange

Other diameters and range on request

LUBRICATORS OIL

Package 1 liter	18PNEWAIOLIO
-----------------	---------------------



SATEMA

13856 VIGLIANO B.SE - Via Milano, 395
 Tel. +39 015811102 - Fax 0158853029
 Mail: info@satema.it <http://www.satema.it>

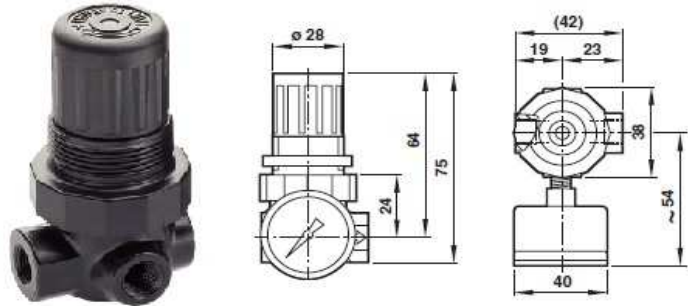
R* COMPRESSED AIR REGULATORS

MINIATURE REGULATORS R07

1/8" - 1/4"

Regulators threaded for generic pneumatic applications.
Relieving standard. Lockable knob.

Fluid: only compressed air
Inlet Max pressure: 20 bar
Gauge port: Rc1/8
Ambient temperature: from 2°C to +65°C
Setting range: 0.3...7 bar std, 0.5...10 bar (on requ.)



Diameter	Setting	Flow dm3/s	Code	Bracket	Panel ring nut	
1/8"	0.3...7 bar	6.5	R07100RNKG	18-025-003	2962-89 plastic	2962-04 metal
1/4"			R07200RNKG			
1/8"	0.5...10 bar	7	R07105RNMG			
1/4"			R07205RNMG			

HIGH FLOW REGULATORS 20AG MODELS

G1/2" - G1"

Relieving standard. Non-relieving option. Standard relieving models allow reduction of downstream pressure when the system is dead-ended.

Fluid: compressed air, neutral gas
Inlet Max pressure: 28 bar
Gauge port: G1/8 female
Ambient temperature: -20°C ... +80°C
Body/Bonnet: Zinc /Alluminum
Valve seat: brass
Regulation screw: stainless
Elastomers: Nitrile



Diameter	Range bar	Relieving	Adjustment, mounting	Mounting bracket	**	***
G1/2"	0,1...3,5	20AGX4G/PD100 *	T-bar, bracket	18-001-005	-	-
	0,2...8	20AGX4G/PH100 *			PH103	PH102
	7...16	20AGX4G/PJ100 *			PJ103	-
G3/4"	0,1...3,5	20AGX6G/PD100		18-001-029	-	-
	0,2...8	20AGX6G/PH100 *			-	-
G1"	0,1...3,5	20AGX8G/PD100			-	-
	0,2...8	20AGX8G/PH100 *	-		PH102	

* For non-relieving models remove the X from the code

** Panel mounting modelso

*** Models with plastic knob



SATEMA

13856 VIGLIANO B.SE - Via Milano, 395
Tel. +39 015811102 - Fax 0158853029
Mail: info@satema.it <http://www.satema.it>

RPR18* REMOTE PILOT PRESSURE REGULATORS

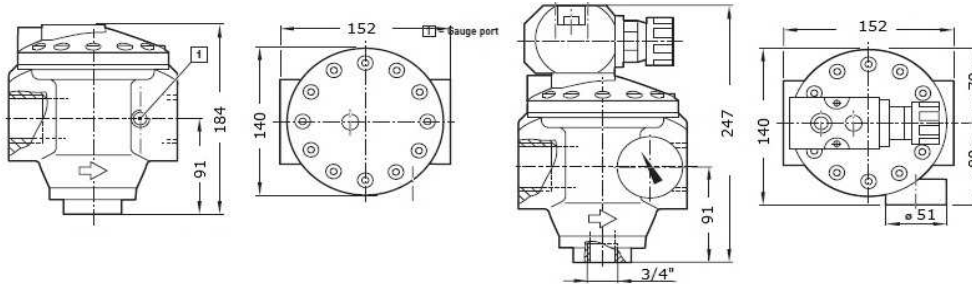
The R18 with the conventional integral pilot provides good pressure regulation, rapid response to changing flow demands, and excellent stability. The R18 with the feedback integral pilot provides superior pressure regulation under changing flow demands where changes in flow demand are not sudden or cyclic. Balanced valve minimises effect of changes in inlet pressure on outlet pressure. Constant bleed feature in pilot regulator provides quick response and minimum dead-band.



Exceptionally high relief flow

Fluid: compressed air
 Inlet pressure range: 0.7 ... 31 bar
 Operating temperature: -18 ... +80°C

Diameter	Flow dm ³ /s	Overpressure bar	R18 remote pilot	w/ R40 conventional integral pilot	Typical flow with 0,7 bar inlet pressure, 6,3 bar set pressure, and a droop of 1 bar from set: 944 dm ³ /s
G 1"1/2	950	0.16...17	R18B00RNXD	R18B05RNLG	
G 2"			R18C00RNXD	R18C05RNLG	



RPH24* HIGH FLOW AIR REGULATORS

High flow and relief flow characteristics. Balanced valve minimises effect of variations in inlet pressure on outlet pressure. Relieving feature allows outlet pressure reduction even when the system is dead ended.

Fluid: compressed air
 Inlet Max pressure: 20 bar
 Ambient temperature: 0°C ... +80°C
 Body and bonnet: zinc
 Bottom plug: acetal resin

Diameter	Range	Code	Adjusting
G1/4"	0.3...2	R24200RNCG	Knob
	0.3...4	R24200RNFG	
	0.7...8	R24200RNLG	
	0.7...17	R24200RNSG	
G3/8"	0.7...8	R24300RNLG	Knob
	0.7...17	R24300RNSG	
G1/2"	0.3...2	R24400RNCG	Pilot
	0.3...4	R24400RNFG	
	0.7...8	R24400RNLG	
	0.7...17	R24400RNSG	
	0.3...17	R24401RNXG	
G3/4"	0.7...8	R24600RNLG	Knob
	0.3...17	R24601RNXG	Pilot
G1"	0.7...8	R24800RNLG	Knob
	0.3...17	R24801RNXG	Pilot
G1"1/4	0.7...8	R24A00RNLG	Knob
	0.3...17	R24A01RNXG	Pilot



Manopola regolazione

Pilotato

Adjustment knob

Piloted



SATEMA

13856 VIGLIANO B.SE - Via Milano, 395
 Tel. +39 015811102 - Fax 0158853029
 Mail: info@satema.it <http://www.satema.it>

P* PILOT AIR REGULATORS

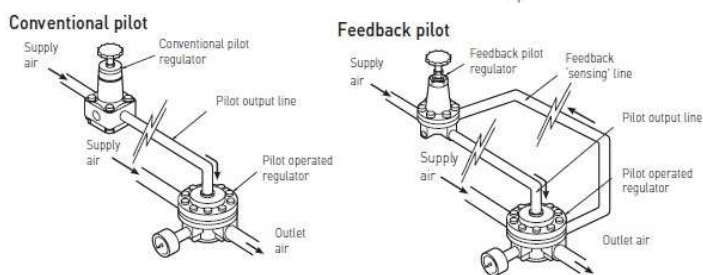
CONVENTIONAL PILOT REGULATORS

Diameter	Range	Mounting bracket code	
G1/4"	0.06...2	114002GPC100	
	0.06...4	114002GPE100	
	0.16...7	114002GPG100	
	7...20	20ALX2GPK100	
Diameter	Range	Mounting panel code	Nut
G1/4"	0.06...2	114002GPC103	3081-01
	0.06...4	114002GPE103	
	0.16...7	114002GPG103	



FEEDBACK PILOT REGULATORS

Diameter	Range	Bracket/Panel Code
G1/4"	0.16...7	11204004
	4...17	1120406



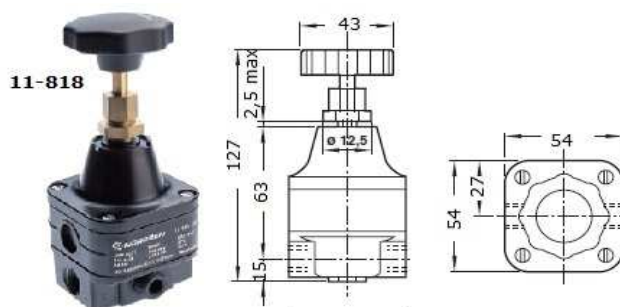
RPP* PRECISION AIR REGULATORS

11-818 Model

Precision instruments with integral pilot to ensure very close pressure control in a compact form. Unit double filters air before reaching pilot valve to help prevent leakage and malfunction. Integral relief valve automatically vents excess outlet pressure build-up. These units are not recommended for dead-end use. Panel mounting facility.

Fluid: compressed air
 Ambient temperature: 0 ... +70°C
 Gauge port: 1/4"

Diameter	Max Inlet pressure bar	Range bar (accuracy)	Code
G1/4"	8	0.02...0.50 (0.01)	11818987
	10	0.07...4 (0.03)	11818993
	14	0.04...10 (0.05)	11818991

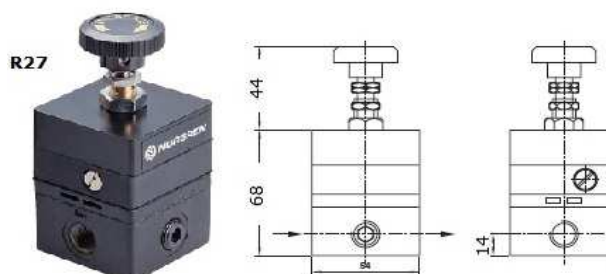


R27 Model

Perfect for dead-end application. Highly sensitive and accurate. Excellent long term stability. High forward and relief flow capability. Low air consumption.

Fluid: oil free dry air filtered to 25 µm
 Inlet Max pressure: 10 bar (at least 0,2 above output pressure)
 Ambient temperature: -20 ... +70°C
 Gauge port: 1/4"

Diameter	Range bar (accuracy)	Code	Hysteresis and repeatability at mid range
G1/4"	0.14...2 (0.1)	R27200RNCG	<0,05%
	0.14...4 (0.05)	R27200RNFG	
	0.14...8 (0.02)	R27200RNLG	



SATEMA

13856 VIGLIANO B.SE - Via Milano, 395
 Tel. +39 015811102 - Fax 0158853029
 Mail: info@satema.it <http://www.satema.it>