

VRPX - FLOW CONTROLLER SCREW VALVE

Flow controller screw valve

Control element: handwheel, electric, pneumatic

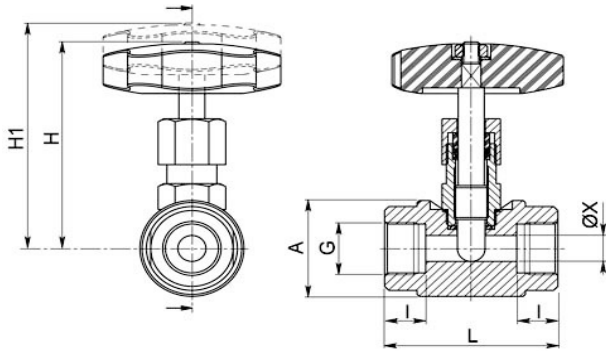
Connections: ISO 228 thread female / female

Material: stainless steel S.S. 316L

Size: from 1/2" to 1"

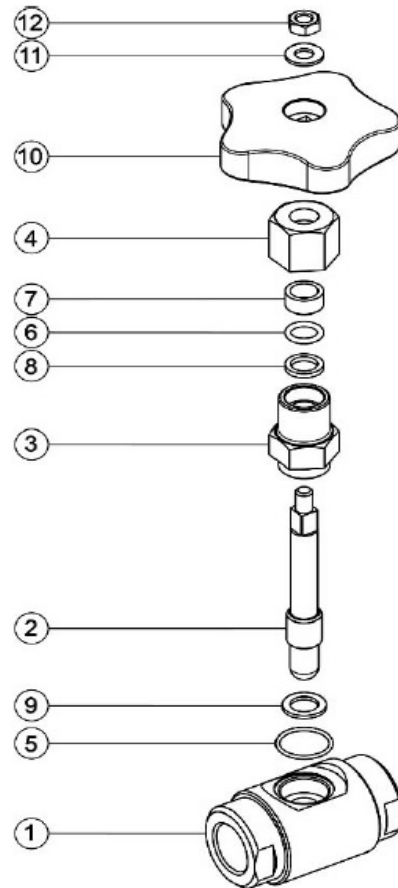
Working temperature: -20°C up to +160°C

External finish: Polished



G	L	I	A	H	H1	X	PN	Kg
1/2"	60	14	30	68	74	8,5	100	0.4
3/4"	80	19	48	105	116	13	100	1.16
1"	80	19	48	105	116	13	100	1.07

ITEM	Description	Material
1	Body	SS316L
2	Needle	SS316L
3	Bonnet	SS316L
4	Packing gland nut	SS316L
5	Oring	FKM
6	Oring	FKM
7	Gasket	PTFE glass
8	Gasket	PTFE
9	Gasket	Duroplast
10	Handwheel	SS304L
11	Washer	SS304L
12	Nut	SS304L



SATEMA

13856 VIGLIANO B.SE - Via Milano, 395

Tel. +39 015811102 - 015510156 - Fax 0158853029

Mail: info@satema.it <http://www.satema.it>

VRSX - NEEDLE VALVE

Needle valves.

Control element: handwheel, electric, pneumatic

Connections: ISO 228 thread female / female

Material: Stainless steel SS 316L

Sizes: from 1/4" to 1"

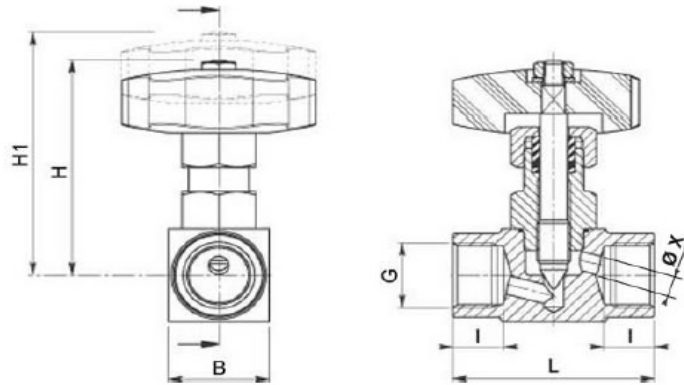
Working temperature: -20°C up to +160°C

External finish: Polished

On request:

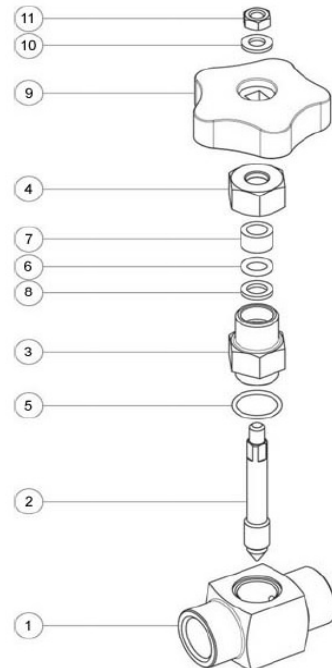
- ATEX (94/9/CE)

• CLAMP ISO 2852 connections



G	L	I	A	H	H1	X	PN	Kg
1/4"	45	10	25	70	78	4	160	0,26
3/8"	53	11	25	70	78	5	160	0,29
1/2"	60	14	30	72	80	6	160	0,40
3/4"	80	17	48	102	117	10	100	1,12
1"	80	19	48	102	117	10	100	1,12

1	Body	SS316L
2	Needle	SS316L
3	Bonnet	SS316L
4	Packing gland nut	SS316L
5	Oring	FKM
6	Oring	FKM
7	Gasket	PTFE glass
8	Gasket	PTFE
9	Handwheel	SS304L
10	Washer	SS304L
11	Nut	SS304L



SATEMA

13856 VIGLIANO B.SE - Via Milano, 395

Tel. +39 015811102 - 015510156 - Fax 0158853029

Mail: info@satema.it <http://www.satema.it>