

## KVP - PISTON VALVES

### Fig 1018 THREADED PISTON VALVES

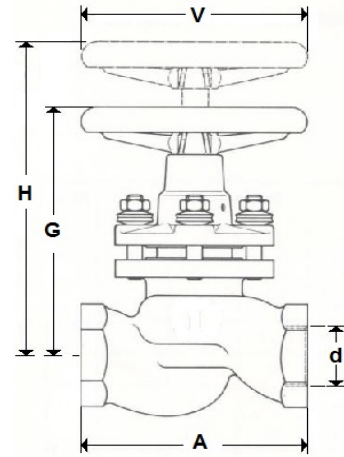
Stop valves, standard female screwed ends to BSP. Cast iron body, stainless steel piston.

Type BV

Approximate dimensions

d	A	G	H	V	Weight kg
<b>1/2"</b>	100	110	140	95	1.3
<b>3/4"</b>	120	135	170	115	2.1
<b>1"</b>	135	150	185	115	3.1
<b>1"1/4"</b>	160	170	215	150	5
<b>1"1/2"</b>	175	195	250	150	7
<b>2"</b>	195	225	285	150	10.9

in bold availability from stock

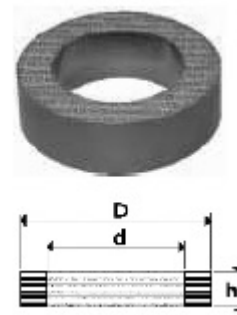


## KSPA - SPARE RINGS

Piston valves spare rings.

DN	mm	d mm	D mm	h mm
<b>1/4"</b>		<b>5</b>	<b>12</b>	<b>5</b>
<b>3/8"</b>	<b>10</b>	<b>14</b>	<b>20</b>	<b>8</b>
1/2"	15	15	23.5	9
3/4"	20	20	30	10
1"	25	25	38	12
<b>1"1/4"</b>	<b>32</b>	<b>30</b>	<b>45</b>	<b>15</b>
<b>1"1/2"</b>	<b>40</b>	<b>40</b>	<b>58</b>	<b>16</b>
2"	50	50	70	17
	65	60	82	16
	<b>80</b>	<b>80</b>	<b>106</b>	<b>21</b>
	<b>100</b>	<b>90</b>	<b>112</b>	<b>20</b>

in bold availability from stock



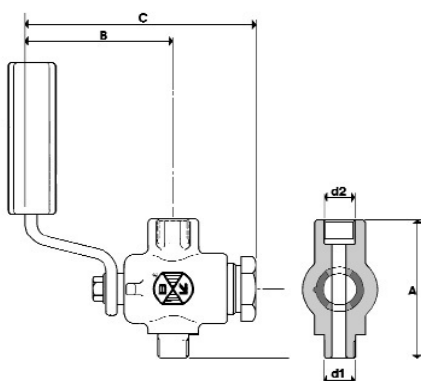
## KRM - SLEEVE-PACKED COCKS

2-Way and 3-way sleeve-packed cocks.

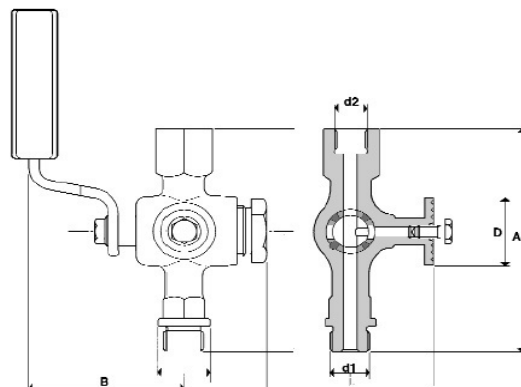
Steel body ASTM A105, plug S.S. 316

Model	d1	d2	A	B	C	D	Packing sleeve
<b>KRM1.416</b>	1/4"	1/4"	70	62	98	-	<b>1.2</b>
<b>KRM4.417</b>	1/2"	1/2"	130	54	96	40	<b>2.4</b>

in bold availability from stock



RMK1.416



RMK4.417



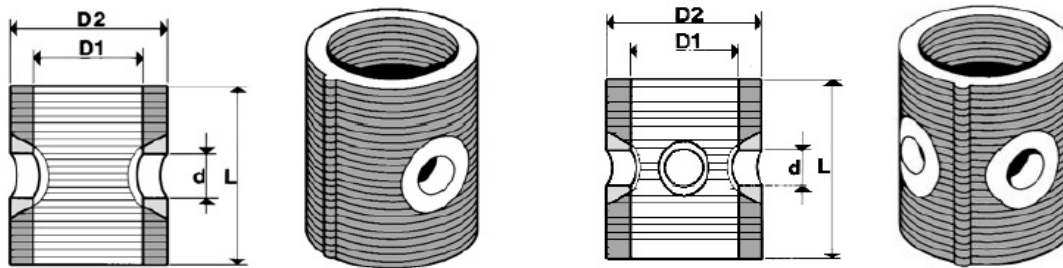
**SATEMA**

13856 VIGLIANO B.SE - Via Milano, 395

Tel. +39 015811102 - 015510156 - Fax 0158853029

Mail: [info@satema.it](mailto:info@satema.it) <http://www.satema.it>

## KSPB - PACKED-SLEEVE



**BOSSOLI 2 GHIERE**

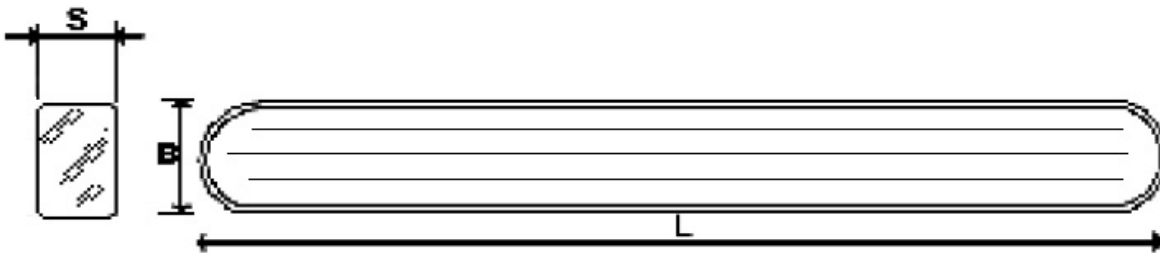
**BOSSOLI 4 GHIERE**

Graphyte material, stainless steel eyelets

<b>2 EYELETS</b>	d mm	d inches	D1 mm	D2 mm	L mm
<b>M1.2</b>	6	1/4"	12	18	23
<b>M2.2</b>	8	5/16"	18	26	32
<b>M3.2</b>	10	3/8"	22	33	37
<b>4 EYELETS</b>	d mm	d inches	D1 mm	D2 mm	L mm
<b>M2.4</b>	6	5/16"	18	26	32

in bold availability from stock

## KSPC - REFLEX GLASS



Size	Type A			Type B			Only gaskets spare parts type A from stock
	L	B	S	L	B	S	
1	115	30	17	115	34	17	-
2	<b>140</b>			140			-
3	<b>165</b>			165			<b>X</b>
4	<b>190</b>			190			<b>X</b>
5	220			220			-
6	<b>250</b>			<b>250</b>			<b>X</b>
7	280			280			<b>X</b>
8	<b>320</b>			<b>320</b>			-
9	<b>340</b>			340			<b>X</b>

in bold availability from stock

Kit consist of: 1x reflex glass + 2x gaskets

*Note: material being divested*



**SATEMA**

13856 VIGLIANO B.SE - Via Milano, 395

Tel. +39 015811102 - 015510156 - Fax 0158853029

Mail: [info@satema.it](mailto:info@satema.it) <http://www.satema.it>