

SMAOX - ROTARY ELECTRIC ACTUATOR

Rotary electric actuator for ball and butterfly valves automation.

Die-cast aluminum enclosure with finish epoxy powder, manual operation, portholes with graded-index valve position, adjustable mechanical stops, 4 limit switches (option).

ISO 5211 drive connection by star square insertion to the shaft.

Torque available 30 ... 1,000 Nm

Protection: IP 67

Rotation: 90 ° ... 120 °

Power supply: 110...230VAC Hz 50-60, 380/3VAC 50-60 Hz, V24DC,

Options:

- 4-20 mA, 0-10 V modulating control positioner
- Explosion Proof Exd II BT4 Version



Model	Nm	timing 90°	ISO5211 flange	Double square	Watt	A @ 230V	Weight kg
SMAOX03	30	10	F03-F04-F05	11	8	0.15	2.1
SMAOX05	50	30	F05-F07	14	10	0.25	3.6
SMAOX08	80	30	F05-F07	14	10	0.25	3.6
SMAOX10	100	30	F05-F07	17			
SMAOX15	150	30	F05-F07	17	15	0.37	4.6
SMAOX20	200	30	F10-F12	22			
SMAOX30	300	30	F10-F12	22	45	0.31	14.4
SMAOX40	400	30	F10-F12	22			
SMAOX60	600	30	F10-F12	27	90	0.33	14
SMAOX80	800	40	F10-F12	27	180	0.47	14.3
SMAOXA1	1000	40	F10-F12	27	180	0.47	14.5



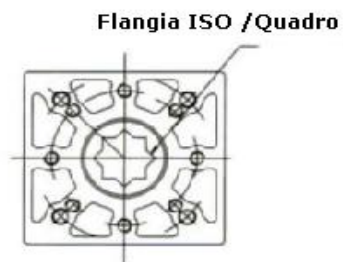
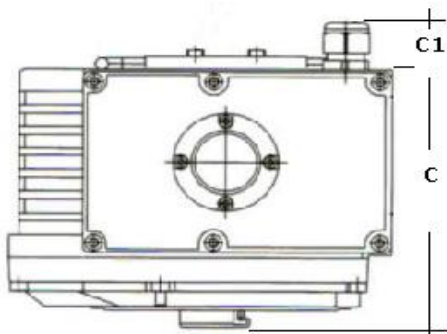
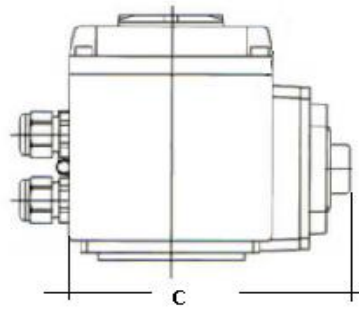
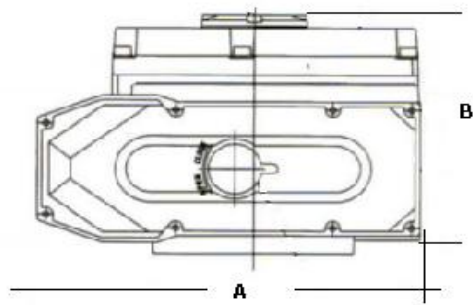
SATEMA

13856 VIGLIANO B.SE - Via Milano, 395

Tel. +39 015811102 - 015510156 - Fax 0158853029

Mail: info@satema.it <http://www.satema.it>

SMAOX - ROTARY ELECTRIC ACTUATOR



ISO flange
square

Model	A	B	C	C1	ISO flange	Polygonal square
SMAOX03	123	113	100	25	F03-F04-F05	11
SMAOX05	160	121	121		F05-F07	14
SMAOX08	160	121	121		F05-F07	14
SMAOX15	189	129	145		F05-F07	17
SMAOX30	268	164	200		F10-F12	22
SMAOX60	268	164	200		F10-F12	27
SMAOX80	268	164	200		F10-F12	27
SMAOXA1	268	164	200		F10-F12	27



SATEMA

13856 VIGLIANO B.SE - Via Milano, 395

Tel. +39 015811102 - 015510156 - Fax 0158853029

Mail: info@satema.it <http://www.satema.it>