

SMVREX - VSEX - ATEX PART TURN ELECTRIC ACTUATORS

SMVR-VS ATEX versions.



Models	SMVREX			SMVSEX		
Max torque	SMVREX25	SMVREX45	SMVREX75	SMVSEX100	SMVSEX150	SMVSEX300
Nominal torque	25Nm	45Nm	75Nm	100Nm	150Nm	300Nm
	20Nm	35Nm	60Nm	75Nm	125Nm	250Nm
Power supply	15VCA to 30VCA 50/60Hz (12VDC to 48VDC)					
	100VCA to 240VCA 50/60Hz (100VDC to 350VDC)					
	Three-phase 400V					
Operating time for 90 ° (± 1s)	7s (15s*)	15s	20s	15s	30s	60s
	400V: 10s	400V: 10s	400V: 15s	400V: 10s	400V: 20s	400V: 35s
Power	45W	45W	45W	45W	45W	45W
	400V: 52W	400V: 52W	400V: 52W	400V: 135W	400V: 135W	400V: 135W
Star bushing guide	17mm			22mm		
ISO flange	F05/F07			F07/F10		
Position limit	4 (2 adjustable)					
Rotation angle	Standard 90° (on request 0°-180° or 0°-270°)					
Working cycle	50%					
ATEX / Protection degree	IP68 / ATEX : II 2 G D - Ex d IIB T6 Gb - Ex t IIIC T80°C Db IP68 (FAILSAFE and 400V = T5 and 95°C)					
Ambient operating temperature	-20 ... +70°C (FAILSAFE: -10...40°C)					
Weight	from 4.0 to 4.4 Kg			from 6.0 to 6.4 Kg		



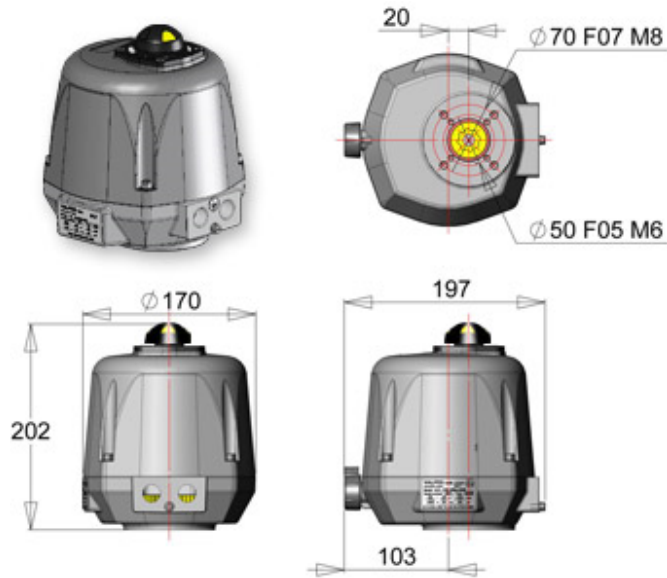
SATEMA

13856 VIGLIANO B.SE - Via Milano, 395

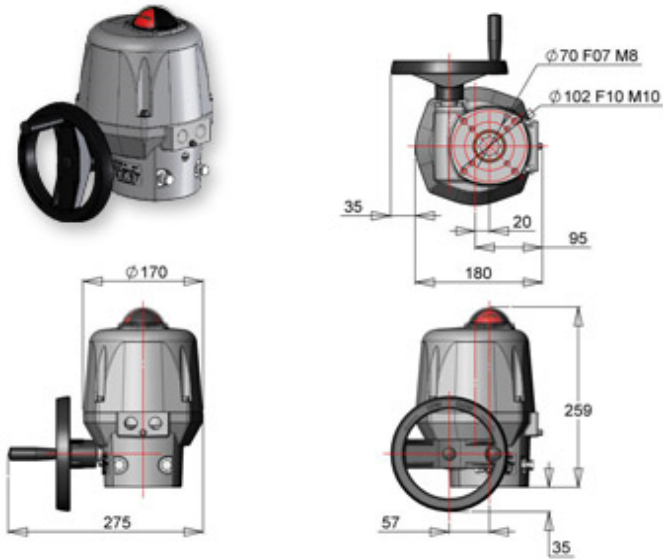
Tel. +39 015811102 - 015510156 - Fax 0158853029

Mail: info@satema.it <http://www.satema.it>

SMVREX - VSEX - ATEX PART TURN ELECTRIC ACTUATORS



Mod. SMVREX



Mod. SMVSEX



SATEMA

13856 VIGLIANO B.SE - Via Milano, 395
 Tel. +39 015811102 - 015510156 - Fax 0158853029
 Mail: info@satema.it <http://www.satema.it>