

## VBUT2\* - DOUBLE ECCENTRIC BUTTERFLY VALVES

Double eccentric disc and shaft butterfly valve. Tight seal with pressure or high temperatures for shut off and control gases or liquids fluids applications.



### Versions

- VBUT2P\*** With PTFE reinforced soft seal max 230°C  
**VBUT2I\*** With Inconel625 plus graphite metal sealing max 450°C  
**VBUT2S\*** "Fire Safe" Inconel 625 + graphite seal



**Tenuta morbida  
PTFE rinforzato**



**Tenuta metallica  
Inconel 625 + grafite**



**Tenuta "Fire Safe"  
Inconel 625 +grafite**

### USE SECTOR

- Chemical and petrochemical industr
- Steam and hot water
- District heating
- Vacuum systems
- Shipbuilding
- Industrial and technical gases
- Food industry



## TECHNICAL SPECIFICATIONS

Diameters:	from DN 50 to DN 300	
Face to face:	EN 558 Series 20 (DIN 3202 T3 K1), ISO 5752 Series 20 (DIN 3202 T3 K1), API 609 Table 1, BS 5155 Series 4, NF E 29-305.1	
Flanges:	DN 50 - DN 250 PN 10/16/25, ANSI 150; DN 300 PN 10/16, ANSI 150	
Test:	EN 12266-1 Rate A - ISO 5208 Rate A DIN 3230 DIN 3230 ~ API 598 Fire test API607 VI	
Design:	EN 593~EN 736 - EN 12516~EN 1092~EN12266 - ISO 5211 - DIN 3337 - API 609 - ASME B16.34 - PED 97/23/EC (CAT III) Mod. H	
Temperature:	-60°C up to + 450°C	
Max working pressure:	25 bar	

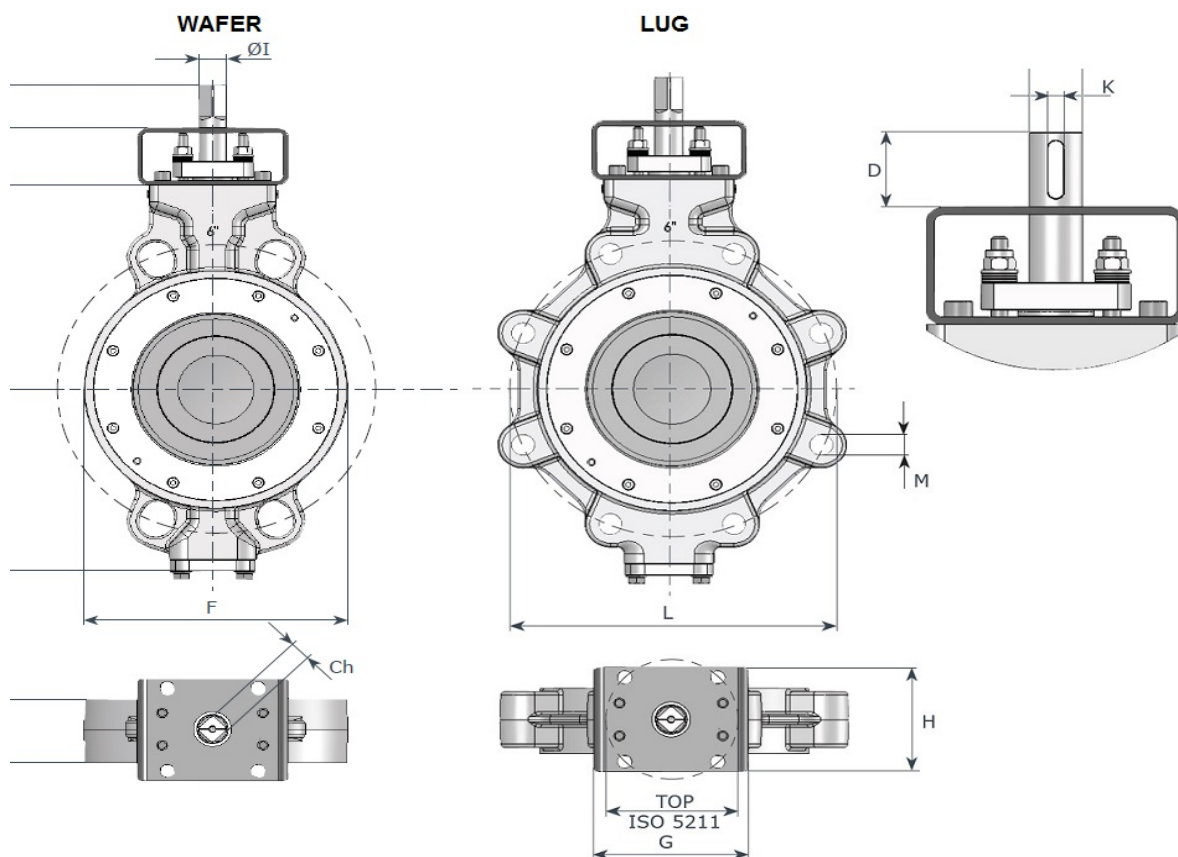
Materials:	BODY	DISC
	ASTM A216-WCB carbon steel standard enamel coating high temperature aluminum color	-
	ASTM A351 CF8M (316SS) stainless steel	
	ASTM A890 Gr 4A Duplex	
	ASTM A890 Gr 5A SuperDuplex	



**SATEMA**

13856 VIGLIANO B.SE - Via Milano, 395  
 Tel. +39 015811102 - 015510156 - Fax 0158853029  
 Mail: [info@satema.it](mailto:info@satema.it) <http://www.satema.it>

## DIMENSIONS mm



DN	A	B	C	D	E	F	H	Diam. I	Ch	K	TOP
50	117	81	50	34	43	95	70	14	11	-	F07
65	120	93	50	34	46	105	70	14	11	-	F07
80	129	101	50	34	46	127	70	14	11	-	F07
100	160	128	50	34	52	150	70	18	14	-	F07
125	170	159	50	38	56	174	90	22	17	-	F10
150	179	168	50	38	56	210	90	22	17	-	F10
200	218	207	60	40	61	270	90	25	-	8	F10
250	257	232	80	60	69	325	130	30	-	10	F12
300	300	270	80	60	78	378	130	35	-	10	F12

DN	PN16 (PN10)			PN25			ANSI 150			Peso kg	
	M	n.	L	M	n.	L	M	n.	L	Wafer	Lug
50	M16	4	125	M16	4	125	M16	4	120.6	3.5	5.7
65	M16	8	145	M16	8	145	M16	4	139.7	4.0	7
80	M16	8	160	M16	8	160	M16	4	152.4	4.8	7.6
100	M16	8	180	M20	8	190	M16	8	190.5	8	9.7
125	M16	8	210	M24	8	220	M20	8	215.9	10.1	14.8
150	M20	8	240	M24	8	250	M20	8	241.3	13.5	17.6
200	M20	12 (8)	295	M24	12	310	M20	8	298.4	22	32
250	M24 (20)	12	355 (350)	M27	12	370	M22	12	361.9	35	46
300	M24 (20)	12	410 (400)				M22	12	431.8	50	62

Dati indicativi, non impegnativi e soggetti a variazione



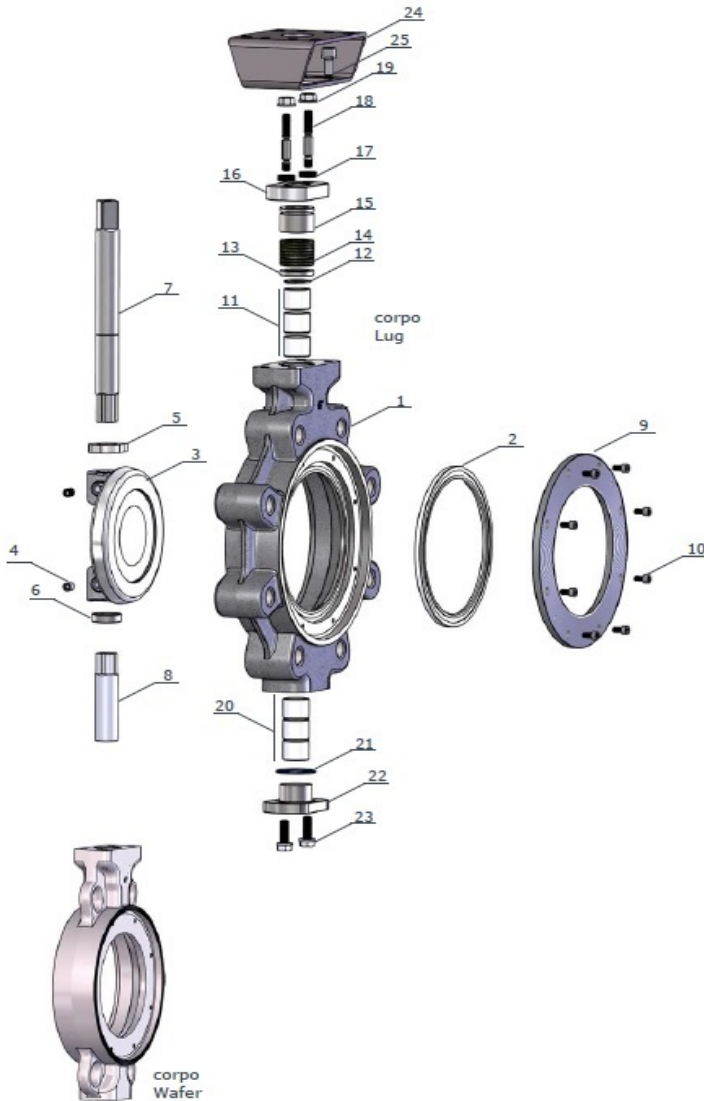
**SATEMA**

13856 VIGLIANO B.SE - Via Milano, 395

Tel. +39 015811102 - 015510156 - Fax 0158853029

Mail: [info@satema.it](mailto:info@satema.it) <http://www.satema.it>

## VBUT2P\* PTFE REINFORCED SEAL



Item	Q.ty	Description	Material
1	1	body	A216 WCB
			A351 CF8M
			DUPLEX
			S.DUPLEX
2	1	soft seal	PTFE
			PTFE reinf.
3	1	disc	A351 CF8M
			DUPLEX
			S.DUPLEX
4	2	fixing grain	316SS
5	1	upper spacer	316SS
6	1	bottom spacer	316SS
7	1	lower pin	ASTM A564 Gr 630
8	1	top pint	
9	1	front sealing flange	316SS
10	8	screw	316SS
11	3	upper bushing	SS+PTFE
			steel+PTFE
12	1	stationary ring	316SS
13	1	slewing ring	316SS
14	1	packing	graphite
15	1	stuffing box	316SS
16	1	floating stuffing	316SS
17	2	springs group	stainless steel
18	2	tie rod	316SS
19	2	nut	316SS
20	3	bottom bushing	SS+PTFE
			steel+PTFE
21	1	O-ring	PTFE
22	1	lower cap	316SS
23	2	screw	316SS
24	1	upper flange	steel coated w/epoxy paint
25	4	screw	316SS



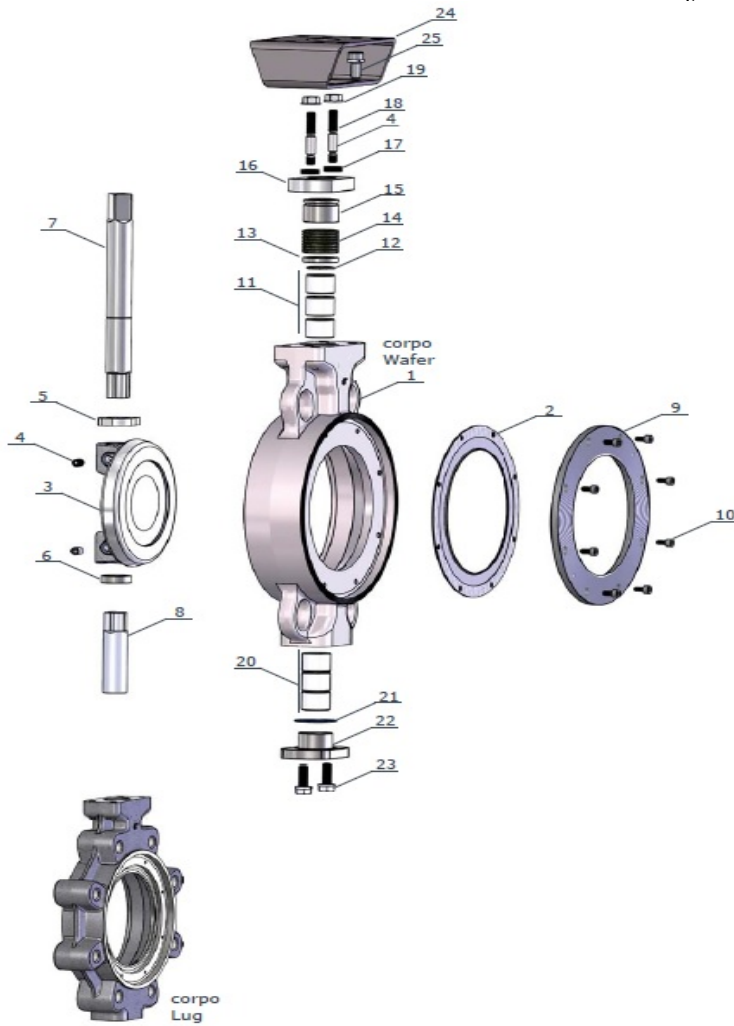
**SATEMA**

13856 VIGLIANO B.SE - Via Milano, 395

Tel. +39 015811102 - 015510156 - Fax 0158853029

Mail: [info@satema.it](mailto:info@satema.it) <http://www.satema.it>

## VBUT21\* INCONEL 625 + graphite SEAL



Q.ty	description	Material
1	body	A216 WCB
		A351 CF8M
		DUPLEX
		S.DUPLEX
1	metallic seal	Inconel 625 gr
1	disc	A351 CF8M
		DUPLEX
		S.DUPLEX
2	fixing grain	316SS
1	upper spacer	316SS
1	bottom spacer	316SS
1	top pin	ASTM A564 Gr 630
1	lower pin	
1	front sealing flange	316SS
8	screw	316SS
3	upper bushing	SS+PTFE
1	stationary ring	316SS
1	slewing ring	316SS
1	packing	graphite
1	stuffing box	316SS
1	floating stuffing	316SS
2	springs group	stainless steel
2	tie rod	316SS
2	nut	316SS
3	bottom bushing	SS+PTFE
		steel+PTFE
1	seal	graphite
1	lower cap	316SS
2	screw	316SS
1	upper flange	steel coated w/epoxy paint
4	screw	316SS



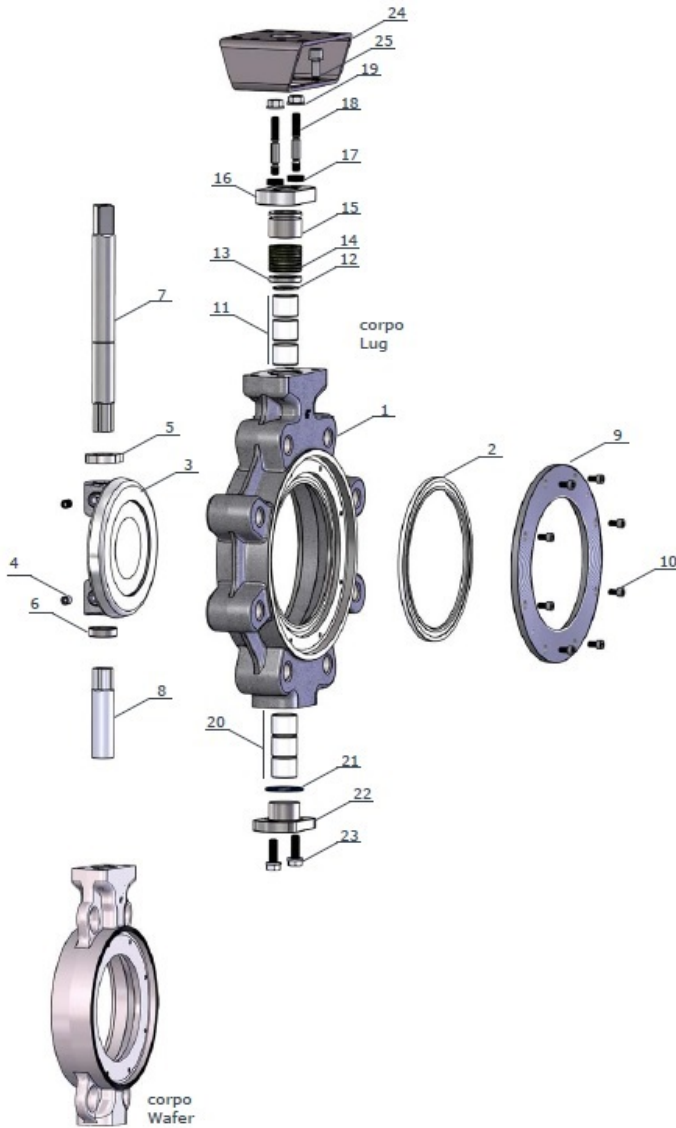
**SATEMA**

13856 VIGLIANO B.SE - Via Milano, 395

Tel. +39 015811102 - 015510156 - Fax 0158853029

Mail: [info@satema.it](mailto:info@satema.it) <http://www.satema.it>

## VBUT2S\* FIRE SAFE



Item	Q.ty	description	Material
1	1	body	A216 WCB
			A351 CF8M
			DUPLEX
			S.DUPLEX
2A	1	seal	PTFE reinf.
2B	1	metallic seal	Inconel625 gr
3	1	disc	A351 CF8M
			DUPLEX
			S.DUPLEX
4	2	fixing grain	316SS
5	1	upper spacer	316SS
6	1	bottom spacer	316SS
7	1	top pin	ASTM A564 Gr 630
8	1	lower pin	
9	1	front sealing flange	316SS
10	8	screw	316SS
11	3	upper bushing	SS+PTFE
			steel+PTFE
12	1	stationary ring	316SS
13	1	slewing ring	316SS
14	1	packing	graphite
15	1	stuffing box	316SS
16	1	floating stuffing	316SS
17	2	springs group	stainless steel
18	2	tie rod	316SS
19	2	nut	316SS
20	3	bottom bushing	SS+PTFE
			steel+PTFE
21	1	seal	graphite
22	1	lower cap	316SS
23	2	screw	316SS
24	1	upper flange	steel coated w/epoxy paint
25	4	screw	316SS



**SATEMA**

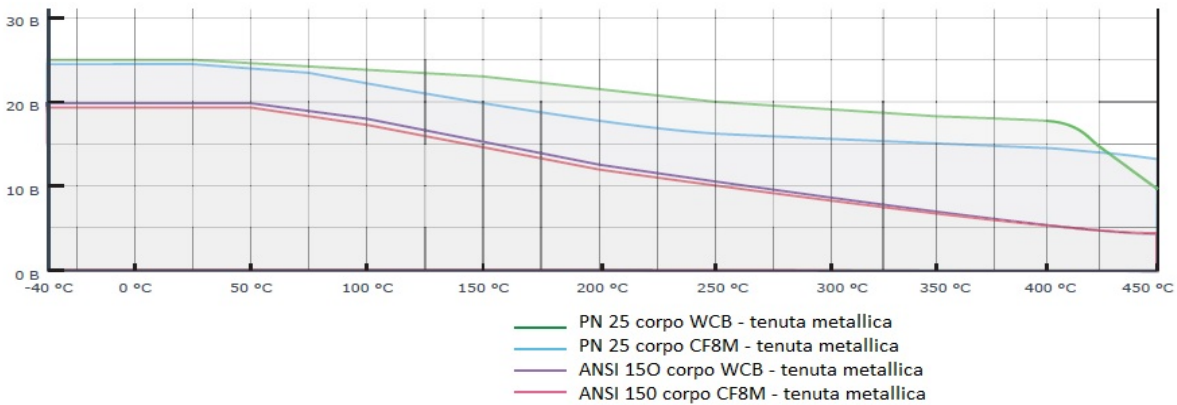
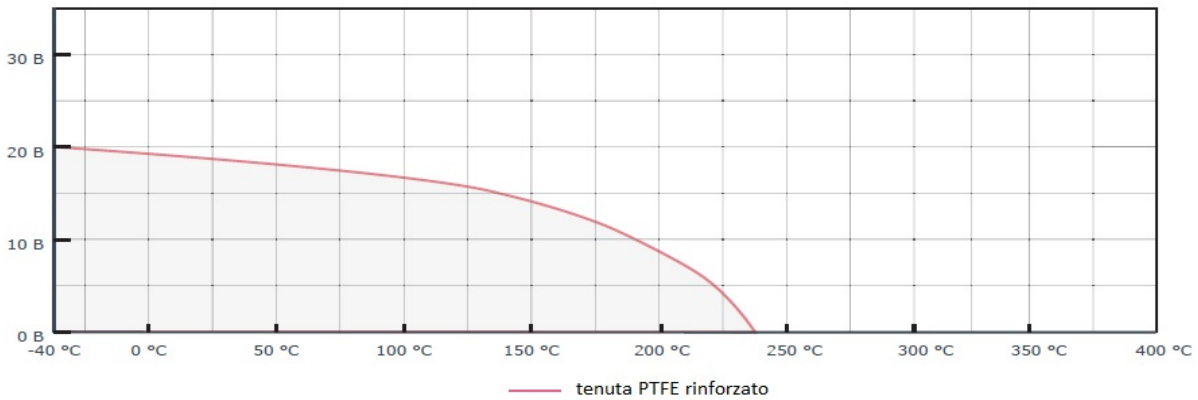
13856 VIGLIANO B.SE - Via Milano, 395

Tel. +39 015811102 - 015510156 - Fax 0158853029

Mail: [info@satema.it](mailto:info@satema.it) <http://www.satema.it>

## TORQUE Nm - pressure / temperature diagrams

DN	PTFE reinforced seal (H <sub>2</sub> O @ 20°C)				DN	INCONEL 625 seal (H <sub>2</sub> O @ 20°C)			
	Working pressure bar					Working pressure bar			
	10	16	20	25		10	16	20	25
50	24	30	40	47	50	36	44	58	68
65	34	38	48	60	65	51	56	70	86
80	38	45	54	68	80	57	67	78	97
100	45	56	62	81	100	68	83	89	114
125	85	90	105	120	125	124	133	154	168
150	130	145	170	210	150	186	212	248	302
200	180	240	270	390	200	261	350	392	570
250	330	450	520	580	250	480	668	765	848
300	580	640	740	850	300	848	941	1085	1244



**SATEMA**

13856 VIGLIANO B.SE - Via Milano, 395

Tel. +39 015811102 - 015510156 - Fax 0158853029

Mail: [info@satema.it](mailto:info@satema.it) <http://www.satema.it>