

## VF1130 - FLUE GAS BUTTERFLY VALVES UP TO 700°C

### CARBON STEEL BODY - DIMENSIONS

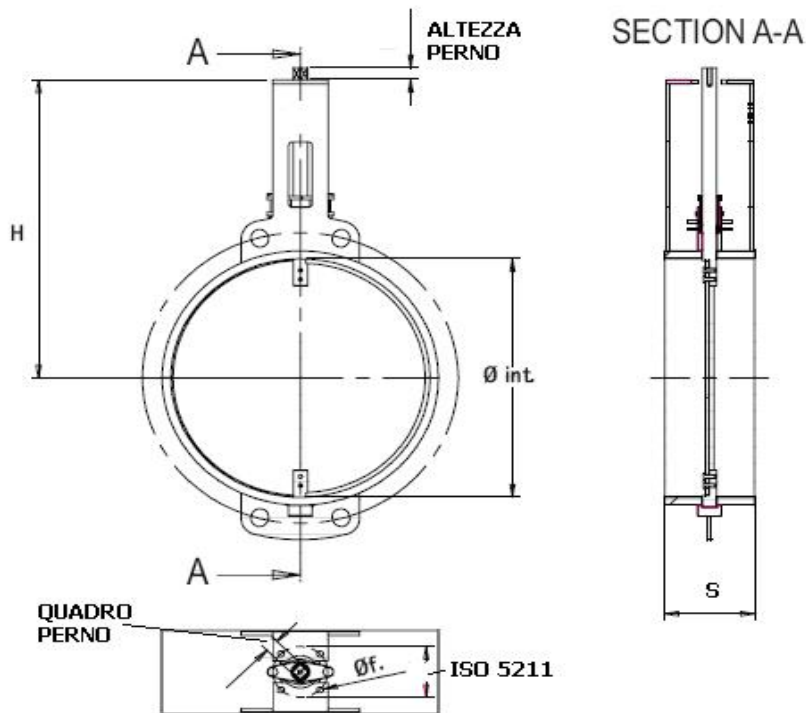
DN	Inner Diam.	H	S (EN558)	I (ISO5211)	diam.f	Square pin	H Pin	Weight kg
50 - 2"	61,5	159	64	50 (F05)	6.5	11x11	16	0.09
65 - 2"1/2	76	171	64	50 (F05)	6.5	11x11	16	2.8
80 - 3"	93	228	64	50 (F05)	6.5	11x11	16	3.8
100 - 4"	116	240	64	50 (F05)	6.5	11x11	16	4.1
125 - 5"	141	252	70	50 (F05)	6.5	11x11	16	4.7
150 - 6"	170	268	70	50 (F05)	6.5	11x11	16	6.0
200 - 8"	220	290	89	50 (F05)	6.5	11x11	16	9.1
250 - 10"	275	384	114	70 (F07)	6.5	14x14	16	13.8
300 - 12"	328	411	114	70 (F07)	8.5	14x14	16	16.5
350 - 14"	355	424	127	70 (F07)	8.5	17x17	20	24.0
400 - 16"	410	452	140	70 (F07)	8.5	17x17	20	28.8
450 - 18"	464	479	152	102 (F10)	11	22x22	25	35.7
500 - 20"	512	503	152	102 (F10)	11	22x22	25	42.00
600 - 24"	615	555	154	102 (F10)	11	22x22	25	45.00
700 - 28"	710	661	165	125 (F12)	14	27x27	30	105.00
800 - 32"	810	711	190	125 (F12)	14	27x27	30	120.00
900 - 36"	900	670	203	140 (F14)	17	36x36	45	155.00
1000 - 40"	1000	720	216	140 (F14)	17	36x36	45	196.00
1100 - 44"	1100	770	216	140 (F14)	17	36x36	45	233.00
1200 - 48"	1200	820	254	140 (F14)	17	36x36	45	315.00
1300 - 52"	1300	870	254	140 (F14)	17	36x36	45	341.00
1400 - 56"	1400	920	279	140 (F14)	17	36x36	45	403.00
1500 - 60"	1500	970	279	140 (F14)	17	36x36	45	432.00

### STAINLESS STEEL BODY - DIMENSIONS

DN	Inner Diam.	H	S (EN558)	I (ISO5211)	diam.f	Square pin	H Pin	Weight kg
50 - 2"	54	208	64	50 (F05)	6.5	11x11	16	0.09
65 - 2"1/2	70	217	64	50 (F05)	6.5	11x11	16	2.8
80 - 3"	81	221	64	50 (F05)	6.5	11x11	16	3.8
100 - 4"	108	236	64	50 (F05)	6.5	11x11	16	4.1
125 - 5"	130	248	70	50 (F05)	6.5	11x11	16	4.7
150 - 6"	162	262	70	50 (F05)	6.5	11x11	16	6.0
200 - 8"	212.5	289	89	50 (F05)	6.5	11x11	16	9.1
250 - 10"	261	379	114	70 (F07)	6.5	14x14	16	13.9
300 - 12"	316	405	114	70 (F07)	8.5	14x14	16	16.5
350 - 14"	355	425	127	70 (F07)	8.5	17x17	20	24.0
400 - 16"	400	447	140	70 (F07)	8.5	17x17	20	28.8
450 - 18"	450	472	152	102 (F10)	11	22x22	25	35.7
500 - 20"	500	497	152	102 (F10)	11	22x22	25	42.0
600 - 24"	600	546	154	102 (F10)	11	22x22	25	45.0
700 - 28"	710	665	165	125 (F12)	14	27x27	30	105.0
800 - 32"	810	718	190	125 (F12)	14	27x27	30	120.0
900 - 36"	900	670	203	140 (F14)	17	36x36	45	155.0
1000 - 40"	1000	720	216	140 (F14)	17	36x36	45	196.0
1100 - 44"	1100	770	216	140 (F14)	17	36x36	45	233.00
1200 - 48"	1200	820	254	140 (F14)	17	36x36	45	315.00
1300 - 52"	1300	870	254	140 (F14)	17	36x36	45	341.00
1400 - 56"	1400	920	279	140 (F14)	17	36x36	45	403.00
1500 - 60"	1500	970	279	140 (F14)	17	36x36	45	432.00

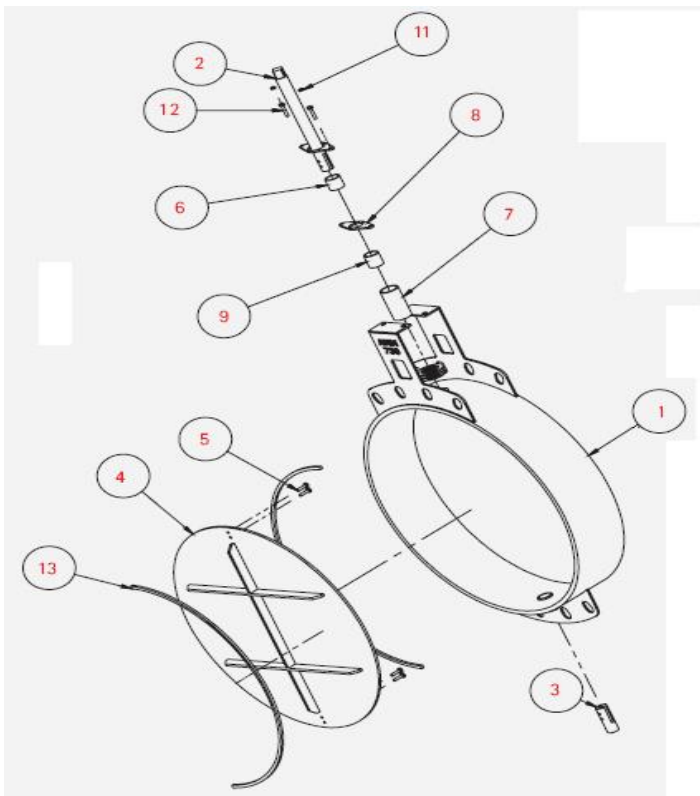
The dimensions are subject to change without notice. Preliminary designs are supplied after order.

**VF1130 - FLUE GAS BUTTERFLY VALVES UP TO 700°C**



Flue gas temperature up to 600°C.  
 Operating pressure max 2 bar  
 Wafer or flanged version  
 ISO PN6, PN10, PN16, ANSI 150 flanges  
 Class III maximum sealing  
 Metal/Metal sealing  
 Shaft seal with graphite packing

- 1 BODY
- 2 MAIN SHAFT
- 3 SECONDARY SHAFT
- 4 DISK
- 5 SCREW
- 6 BUSH
- 7 SUPPORT
- 8 BRACKET
- 9 STUFFING
- 10 BRAID
- 11 NUT
- 12 SCREW
- 13 METAL SEALING



**SATEMA**

13856 VIGLIANO B.SE - Via Milano, 395  
 Tel. +39 015811102 - 015510156 - Fax 0158853029  
 Mail: [info@satema.it](mailto:info@satema.it) <http://www.satema.it>