

## VSIT2F\* - 2-WAYS / ISO5211 STAINLESS STEEL BALL VALVE

2-ways ball valve, full bore

Control element: Flange for actuator ISO 5211 - DIN 3337

Connection: ISO 228 thread female / female

Material: S.S. 304 or S.S. 316

Size: from 1/4" up to 4"

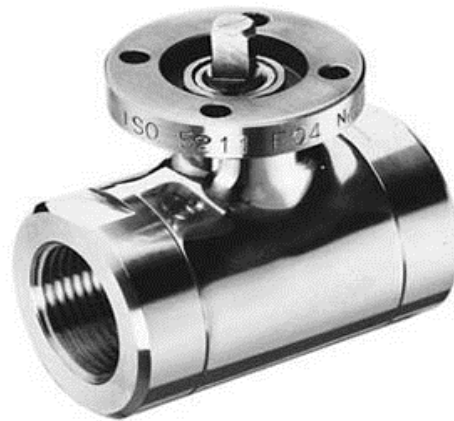
Seals: virgin PTFE

Working temperature: -20°C +160°C

Outer finish: Glossy

On request:

- ISO 7 threaded
- Seals: PTFE carbographe
- Enveloping sealing (for fluid food and / or pollutants)

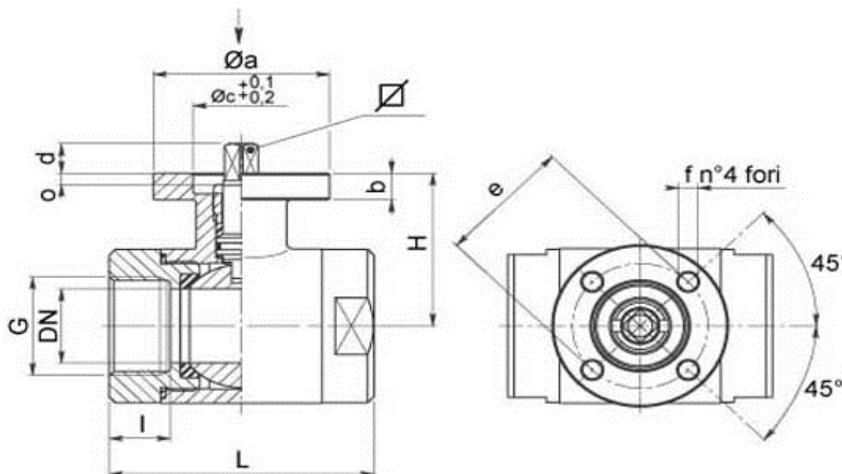


G	1/4"	3/8"	1/2"	3/4"	1"	1"1/4"	1"1/2"	2"
DN	9	10	15	20	25	32	40	50
L	52	52	62	72	82	92	104	116
I	13	13	15	17	19	19	20	20
S	40	40	42	52	60	75	90	100
PN	64	64	64	64	40	40	40	25
ISO-DIN	F.03/F.04	F.03/F.04	F.03/F.04	F.04/F.05	F.04/F.05	F.04/F.05	F.05/F.07	F.05/F.07
Nm	5	5	8	12	15	18	25	30
Nm *	6	6	9	13	22	25	32	37

G	2"1/2"	3"	4"
DN	65	80	100
L	128	150	178
I	20	24	26
S	95	115	145
PN	25	25	25
ISO-DIN	F.07/F.10	F.07/F.10	F.07/F.10
Nm	45	70	80
Nm *	60	75	85

Manual version with lever VSIT2L\*

\* Nm with enveloping sealing



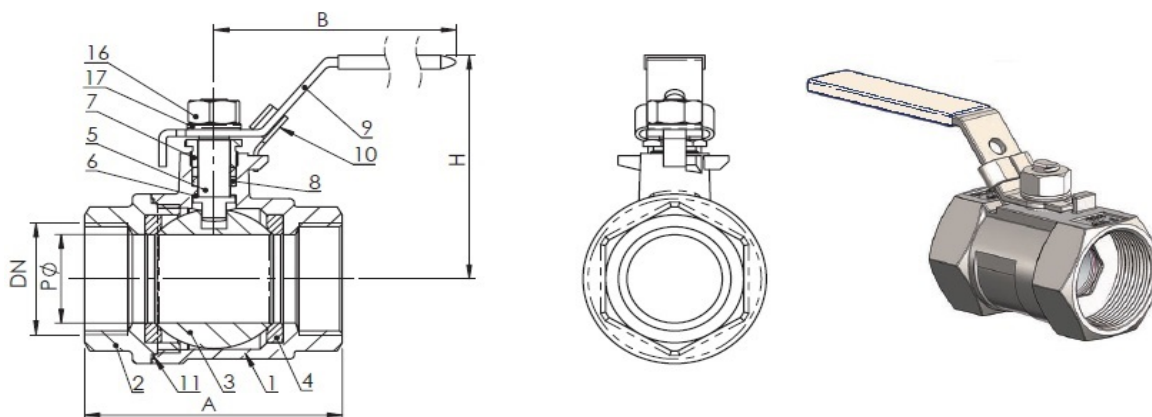
**SATEMA**

13856 VIGLIANO B.SE - Via Milano, 395

Tel. +39 015811102 - 015510156 - Fax 0158853029

Mail: [info@satema.it](mailto:info@satema.it) <http://www.satema.it>

## VSIT2SL\* - BALL VALVES 2-WAY, 2 PIECES BODY, FULL BORE



Threading: ISO 228-1, BS (BSP).

Max pressure: 85 bar DN1/4 - 1"; 70 bar DN 1"1/4-1"1/2; 56 bar DN 2" - 4"

Temperature range: -25 ...+180°C

### Materials

1	Body	SS 316
2	Liner	SS 316
3	Ball	SS 316
4	Ball seat	Reinforced PTFE
5	Stem	SS 316
6	Sliding washer	PTFE
7	Ring	SS 304
8	Stem seal	PTFE
9	Lever	SS 304
10	Lock device	SS 304
11	Body seal	SS 304
16	Nut	SS 304
17	Spring washer	SS 301

*NB: the maximum working pressure decreases while temperature increases, please refer to "pressure/temperature" chart*

### Dimensions mm

DN	P	A	B	H	Weight kg
1/4"	11.5	49	100	54	0.23
3/8"	12.5	49	100	54	0.23
1/2"	15	57	100	56	0.24
3/4"	20	64	115	65	0.45
1"	25	77	150	70	0.65
1"1/4	32	90	150	75	1.05
1"1/2	40	105	180	93	1.7
2"	50	125	180	99	2.61
2"1/2	65	154	245	123	5.01
3"	76	173	245	140	7.61
4"	94	221	278	175	14.75



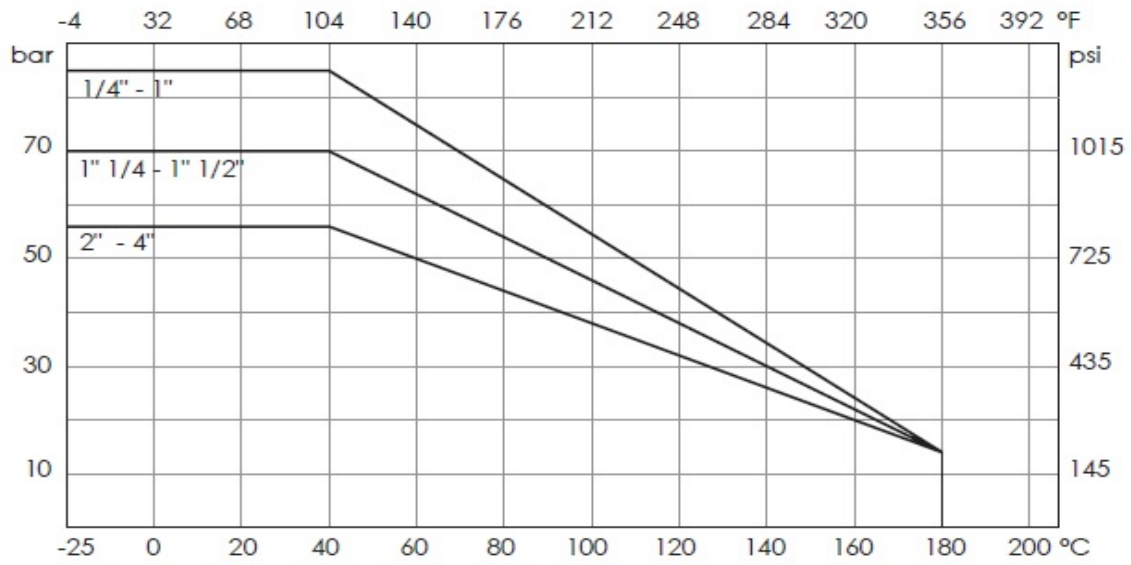
**SATEMA**

13856 VIGLIANO B.SE - Via Milano, 395

Tel. +39 015811102 - 015510156 - Fax 0158853029

Mail: [info@satema.it](mailto:info@satema.it) <http://www.satema.it>

**VSI\* - BALL VALVES 2-WAY, 2 PIECES BODY, FULL BORE**



**Pressure / Temperature chart**