

VGH25* KNIFE GATE VALVES

Shut off and regulation guillotine valves, unidirectional seal.

Applications:

Pulp and paper, water treatment plants, water treatment, chemical industry, power plants, food and beverages, cement, pneumatic conveying.

Diameters:	from DN 50 to DN 1200
Process connections:	Wafer EN 1092-1 PN10
Materials:	GGG40 ductile iron, carbon steel or CF8M stainless steel AISI 304 or AISI 316 knife EPDM or FKM seat PTFE gaskets Stainless steel 420SS or 316SS stem Carbon steel or 304SS support
Epoxy coating:	RAL7031 for GGG40 RAL6018 for carbon steel
Max working pressure:	10 bar from DN 100 to DN 250 7 bar from DN 300 to DN 400 4 bar from DN 500 to DN 600 2 bar from DN700 to DN 900 1 bar from DN 1000 to DN 1200
Actuations:	double-acting pneumatic cylinder Solenoid valve Positioner
Option:	ATEX 94/9/CE group 2 Category 3 zone 2 and 22



DN	Inch	A	B	C	P	H	Weight kg
50	2"	40	240	124	80	412	7
65	2"1/2	40	265	139	80	458	8
80	3"	50	290	154	80	502	11
100	4"	50	335	174	100	562	12
125	5"	50	373	189	125	642	15
150	6"	60	424	220	125	718	21
200	8"	60	533	275	160	882	29
250	10"	70	625	326	200	1044	46
300	12"	70	732	380	200	1164	66
350	14"	96	835	438	250	1362	92
400	16"	100	945	494	250	1542	125
450	18"	106	1040	547	250	1677	177
500	20"	110	1150	613	382	1839	260
600	24"	110	1354	716	382	2145	341

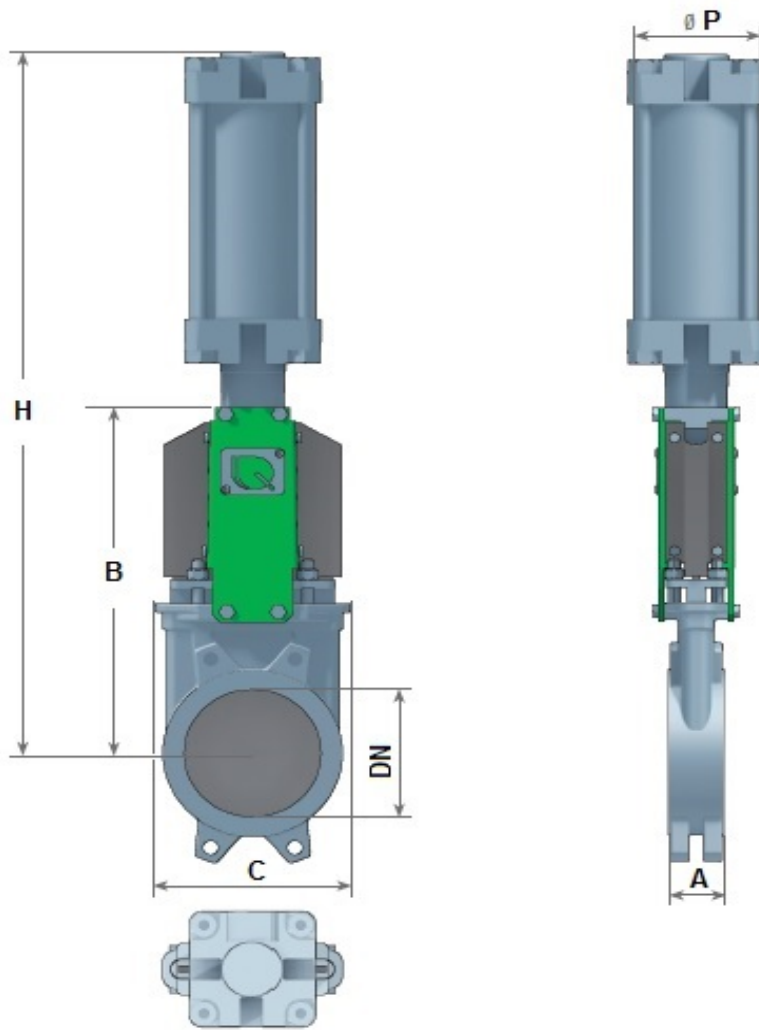


SATEMA

13856 VIGLIANO B.SE - Via Milano, 395

Tel. +39 015811102 - 015510156 - Fax 0158853029

Mail: info@satema.it <http://www.satema.it>



SATEMA

13856 VIGLIANO B.SE - Via Milano, 395

Tel. +39 015811102 - 015510156 - Fax 0158853029

Mail: info@satema.it <http://www.satema.it>