

ELE24*- 3/2 DIRECT ACTING SOLENOID VALVE

Direct solenoid actuated poppet valves, 8 to 50 mm orifice (ND)

Suitable for vacuum range down to 1.33·10⁻² mbar·l/s

APPLICATIONS:

- harsh and difficult drivers
- naval systems
- hydroelectric power plants
- steel plants

Alternative models:

- Solenoid systems in protection class EEx d IIC T4/T5
- Solenoid systems for higher temperatures
- Official marine approval certificates
- Manual override with and without lock
- Inductive or electromechanical limit switches



TECHNICAL SPECIFICATIONS

Fluid:	For neutral gases and liquids fluids
Working pressure:	max 100 bar
Flow direction:	Optional
Mounting position:	Optional, preferably vertical
Fluid temperature:	-25...+80°C (NBR), on option -10...+120°C (Viton)
Ambient temperature:	Depending on solenoid system
Electrical connection:	M20x1,5
Materials:	Body: brass, red brass (Rg), grey cast iron (GG) Inner part: brass, steel

Connections	Solenoid actuator	Orifice	Working pressure bar	kv m ³ /h	Body	Model	Drawing	Weight kg
G 1/4	30.5 A	8	0...15	0.65	brass	240155	1	2.6
G 3/8	30.5 A	8	0...15	0.77	brass	240165	1	2.6
G 1/2	30.5 A	8	0...15	0.78	brass	240175	1	2.6
G 3/8	38.5 A	12	0...12	1.12	brass	240245	1	3.0
G 1/2	38.5 A	12	0...12	1.25	brass	240255	1	3.0
G 1/2	38.5 A	12	0...25	1.25	brass	240275	2	4.2
G 1/2	38.5 A	15	0...10	2.8	red brass	240335	3	6.2
G 1/2	38.5 A	12	0...40	1.25	brass	240675	2	5.2
G 1/2	38.5 A	12	0...100 *	1.25	brass ***	2407965	2	4.2
G 3/4	38.5 A	15	0...10	2.8	red brass	240345	3	6.2

***Seal Stainless steel, suitable only for liquids

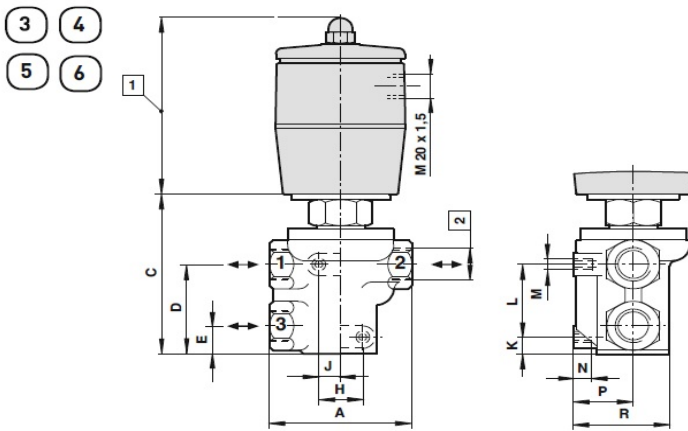
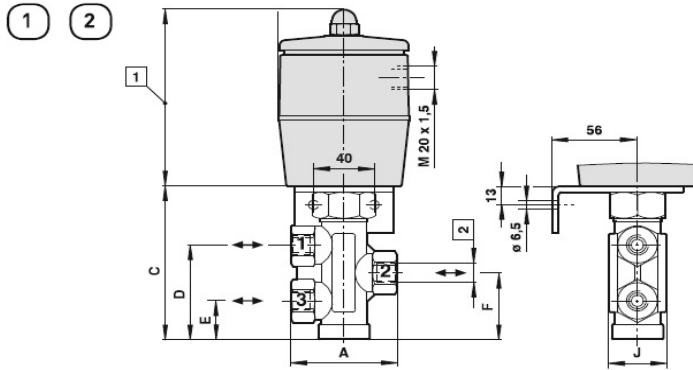
Solenoid actuators		24VDC						
A	Class protection	Model/Circuit	W	mA	Dimensions	Circuit	Weight kg	
30,5	IP65 con passacavo	1300/2	21,4	891	21	2	1.35	
30,5	Eex me II T4 / T5	1440/4	21,4	891	22	4	2.0	
38,5	IP65 con passacavo	1500/2	35,9	1497	23	2	2.5	
38,5	Eex me II T5	1570/2	35,9	1497	24	2	3.6	
		230VAC						
A	Class protection	Model/Circuit	VA	mA	Dimensions	Circuit	Weight kg	
30,5	IP65 con passacavo	1301/6	22,8	99	21	6	1.35	
30,5	Eex me II T4 / T5	1441/7	22,8	99	22	7	2.0	
38,5	IP65 con passacavo	1501/6	38,9	169	23	6	2.5	
38,5	Eex me II T5	1571/6	38,9	169	24	6	3.6	



SATEMA

13856 VIGLIANO B.SE - Via Milano, 395
 Tel. +39 015811102 - 015510156 - Fax 0158853029
 Mail: info@satema.it <http://www.satema.it>

VALVES DIMENSIONS



Drawing	Dimension No.					
	1	2	3	4	5	6
A	70	70	100	120	132	240
C	108	115	126	156	184	239
D	67.5	67.5	63.5	80	96	135
E	27.5	27.5	19.5	30	36	45
F	47.5	47.5				
H			30	30	40	80
J	38	38	15	15	20	40
K			13.5	15	15	33
L			50	70	100	130
M			M10	M10	M12	M16
N			12	12	12	21
P			39	42	57	98
R			77	82	102	171



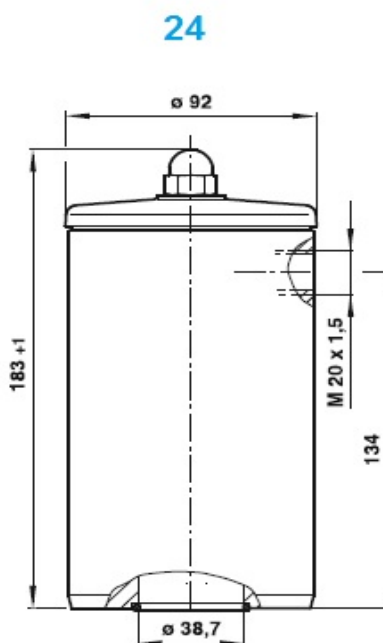
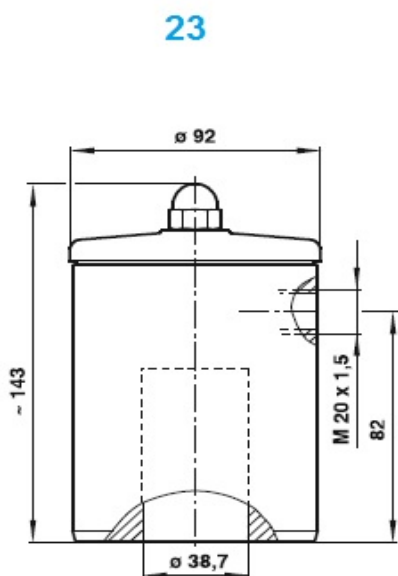
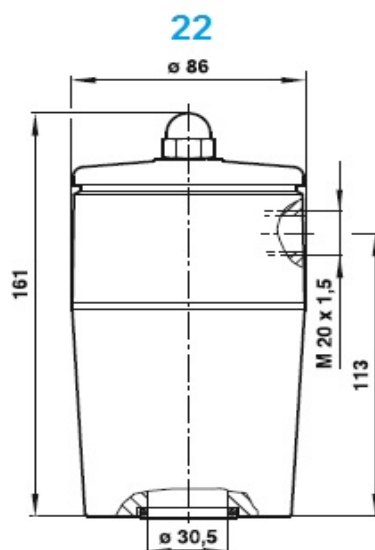
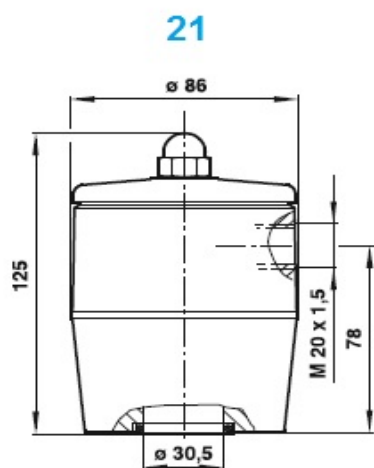
SATEMA

13856 VIGLIANO B.SE - Via Milano, 395

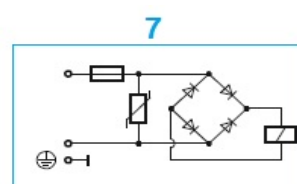
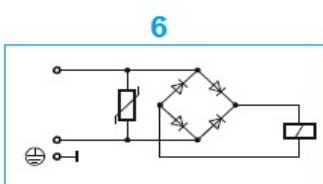
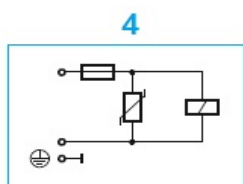
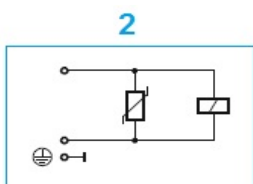
Tel. +39 015811102 - 015510156 - Fax 0158853029

Mail: info@satema.it <http://www.satema.it>

SOLENOID ACTUATOR DIMENSIONS



Circuit diagrams



SATEMA

13856 VIGLIANO B.SE - Via Milano, 395

Tel. +39 015811102 - 015510156 - Fax 0158853029

Mail: info@satema.it <http://www.satema.it>