

## ELE25\* - 4/2 DIRECT ACTING SOLENOID VALVE

### Direct solenoid actuated poppet valves, 4 -way, 2 positions.

Suitable for vacuum range down to 1.33·10<sup>-2</sup> mbar·l/s

#### APPLICATIONS:

- harsh and difficult drivers
- naval systems
- hydroelectric power plants
- steel plants



### TECHNICAL SPECIFICATIONS

Fluid: For neutral gases and liquids fluids

Working pressure: max 25 bar

Flow direction: Fixed

Mounting position: Optional, preferably vertical

Fluid/Ambient temperature: '-25...+80°C

Depending on solenoid system.

Air supply must be dry enough to avoid ice formation at temperature below 2°C. If installed in the open protect all connections against the penetration of moisture.

Electrical connection: M20x1.5

Materials: Housing: brass 2.0401 (Ms 58); inner parts brass or stainless steel 1.4104 (430F)

Seat seal: NBR

Connection	Solenoid	orifice	Working pressure bar	kv m <sup>3</sup> /h	Weight kg.	Model	Drawing
G 1/4	30.5 A	8	0...10	0,5	2,4	<b>ELE2500150</b>	1
G 1/2	30.5 A	12	0...10	0,8	3,1	<b>ELE2502250</b>	2
G 1/2	38.5 A	12	0...25	0,9	4	<b>ELE2502550</b>	3

Solenoid operator		24VDC					
A	Protection class	Model	W	mA	Drawing	Circuit Diagram	Weight kg
30.5	IP65 with cable gland	<b>1300</b>	21.4	891	21	2	1.35
30.5	Eex me II T4 / T5	<b>1440</b>	21.4	891	22	4	2.0
38.5	IP65 with cable gland	<b>1500</b>	35.9	1497	23	2	2.5
38.5	Eex me II T5	<b>1570</b>	35.9	1497	24	2	3.6
		230VAC					
A	Protection class	Mod/schema	VA	mA	Drawing	Circuit Diagram	Weight kg
30.5	IP65 with cable gland	<b>1301</b>	22.8	99	21	6	1.35
30.5	Eex me II T4 / T5	<b>1441</b>	22.8	99	22	7	2.0
38.5	IP65 with cable gland	<b>1501</b>	38.9	169	23	6	2.5
38.5	Eex me II T5	<b>1571</b>	38.9	169	24	6	3.6



**SATEMA**

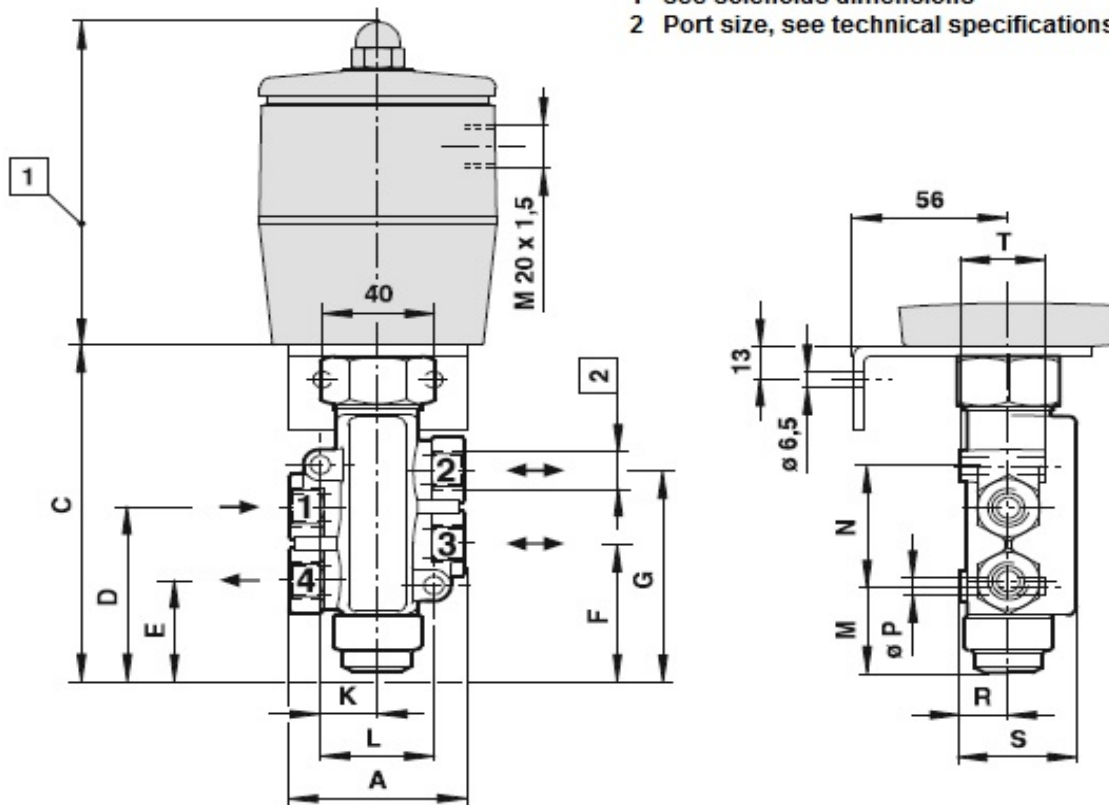
13856 VIGLIANO B.SE - Via Milano, 395

Tel. +39 015811102 - 015510156 - Fax 0158853029

Mail: [info@satema.it](mailto:info@satema.it) <http://www.satema.it>

## DRAWING VALVES DIMENSIONS

- 1 see solenoids dimensions
- 2 Port size, see technical specifications



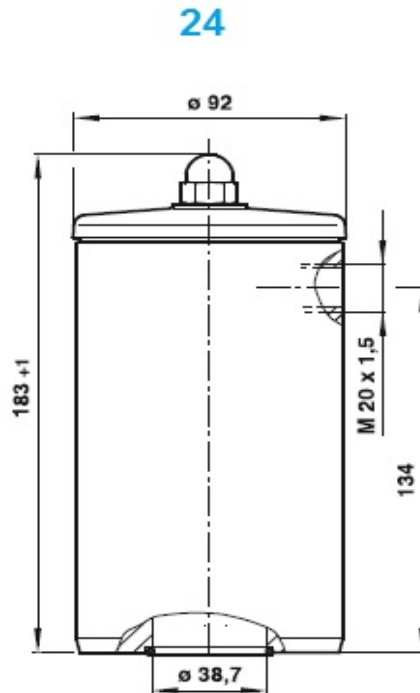
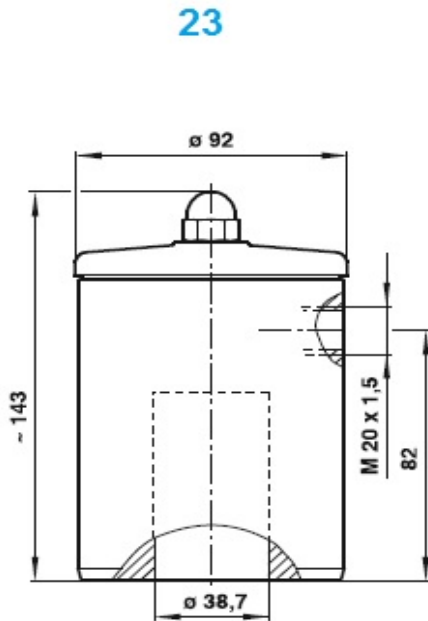
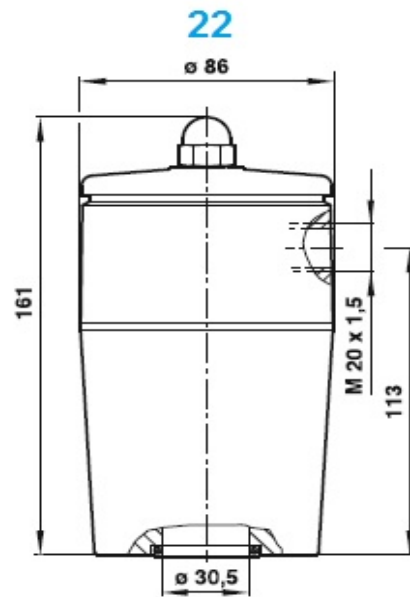
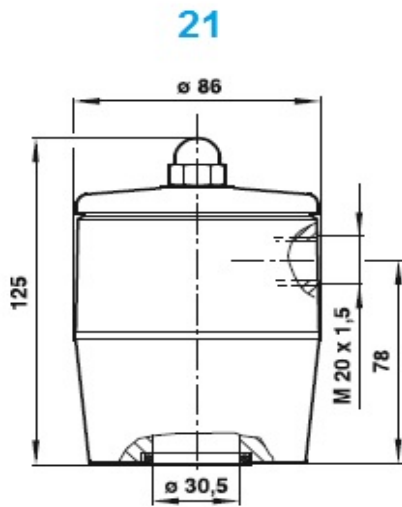
Dimensions	DRAWING No.		
	1	2	3
mm.			
A	62	83	83
C	124	145	149
D	63	81	81
E	35	41	41
F	49	52	52
G	77	92	92
J	59	59	62
K	20	22	22
L	40	44	44
M	33	34	34
N	46	66	66
Diam. P	7	7	7
R	17	20	20
S	41	48	48
T	30	37	37



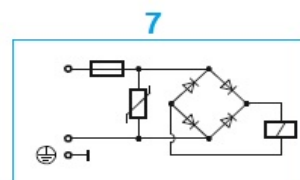
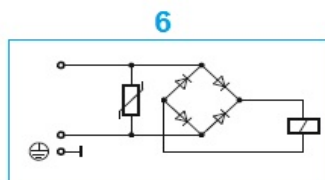
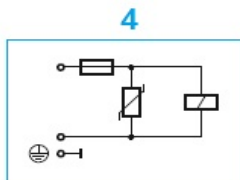
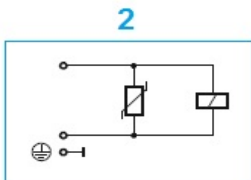
**SATEMA**

13856 VIGLIANO B.SE - Via Milano, 395  
 Tel. +39 015811102 - 015510156 - Fax 0158853029  
 Mail: [info@satema.it](mailto:info@satema.it) <http://www.satema.it>

## SOLENOID ACTUATOR DIMENSIONS



Circuit diagrams



**SATEMA**

13856 VIGLIANO B.SE - Via Milano, 395  
 Tel. +39 015811102 - 015510156 - Fax 0158853029  
 Mail: [info@satema.it](mailto:info@satema.it) <http://www.satema.it>