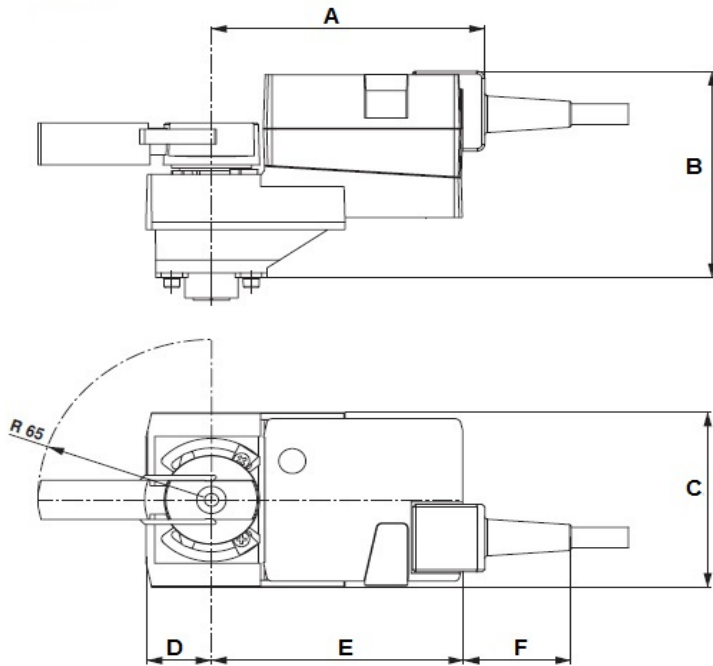


## SMM\* MODULATING PART TURN ACTUATOR 35 and 90 sec



Modelli	SMMLR24	SMMNR24	SMMSR24	SMMLR24C	SMMNR24C	SMMSR24C
Nominal voltage:	ac/dc 24V	ac 24V	ac/dc 24V	ac/dc 24V	ac 24V	ac/dc 24V
Tolerance:	19.2...28.8V	19.2...28.8V	19.2...28.8V	19.2...28.8V	19.2...28.8V	19.2...28.8V
Power consumption:	1.5 W	2W	2.5W	1 W	1.5W	4W
Proportional control:	2-10 VDC			2-10 VDC		
Electrical connection:	4 x 0.75 mm <sup>2</sup> cable, 1 m			4 x 0.75 mm <sup>2</sup> cable, 1 m		
Torque Nm:	5	10	20	5	10	20
Rotation angle:	90°			90°		
Timing:	90 seconds			35 seconds	45 seconds	35 seconds
Protection degree:	IP54			IP54		
IEC/EN certification:	IEC/EN 60730-1; IEC/EN 60730-2-14			IEC/EN 60730-1; IEC/EN 60730-2-14		
UL certification:	UL60730-1A, UL 6730-2-12 and CAN/CSA E 60730-1:02			UL60730-1A, UL 6730-2-12 and CAN/CSA E 60730-1:02		
Ambient temperature:	-30-50°C			-30-50°C		
Humidity:	95%RH non-condensing			95%RH non-condensing		
Maintenance:	maintenance-free			maintenance-free		
OPTION:	NC/NO Emergency function plus 2x SPDT aux contacts					

Dimensions mm	A	B	C	D	E	F	Weight kg
<b>SMMLR24</b>	102	85	71	25	93	42	0.55
<b>SMMNR24</b>	107	83	85	28	97	43	0.75
<b>SMMSR24</b>	118	86	93	33	108	43	1
<b>SMMLR24C</b>	125	85	71	25	120	43	0.5
<b>SMMNR24C</b>	129	83	85	28	120	43	0.74
<b>SMMSR24C</b>	140	86	93	33	130	43	0.91



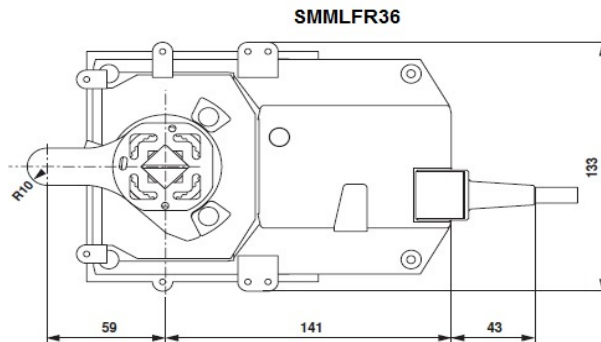
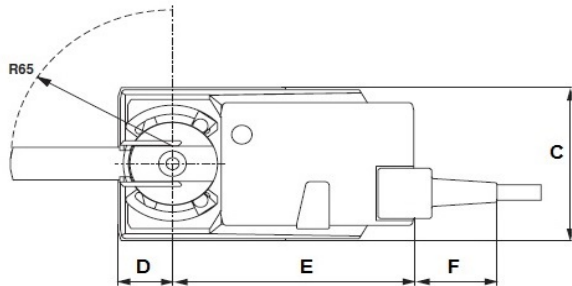
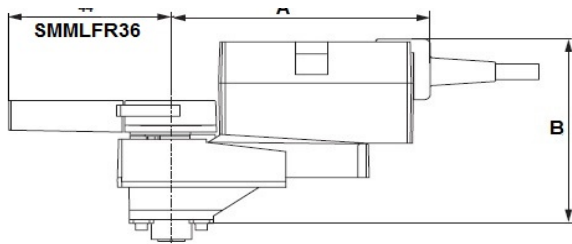
**SATEMA**

13856 VIGLIANO B.SE - Via Milano, 395

Tel. +39 015811102 - 015510156 - Fax 0158853029

Mail: [info@satema.it](mailto:info@satema.it) <http://www.satema.it>

## SMMLFR\* MODULATING PART TURN ACTUATOR - 9 sec



Models:	SMMLFR24	SMMLFR28
Nominal voltage:	ac/dc 24V	ac/dc 24V
Tolerance:	19,2...28,8V	19,2...28,8V
Power consumption:	13 W	13W
Proportional control:	2...10 Vdc	
Electrical connection:	cavo 1 m, 4 x 0,75 mm <sup>2</sup>	
Torque Nm:	5	10
Rotation angle:	90°	
Timing:	9 secondi	
Protection degree:	IP54	
IEC/EN certification:	IEC/EN 60730-1 e IEC/EN 60730-2-14	
UL certification:	UL60730-1A, UL 6730-2-12; CAN/CSA 60730-1:02	
Ambient temperature:	-30...50°C	
Humidity:	95%RH non condensante	
Maintenance:	maintenance-free	

Dimensions mm	A	B	C	D	E	F	Peso kg
<b>SMMLFR24</b>	129	95	85	28	120	42	0.92
<b>SMMLFR28</b>	140	98	93	33	130	43	1.1



**SATEMA**

13856 VIGLIANO B.SE - Via Milano, 395

Tel. +39 015811102 - 015510156 - Fax 0158853029

Mail: [info@satema.it](mailto:info@satema.it) <http://www.satema.it>