

VSRR*SMM* REGULATING BALL VALVES

2-way and 3-way control ball valves. For water flow in the ventilation systems, air conditioning and heating, with equal percentage characteristic that is ensured by the setting disc inserted in the valve. The valves are actuated by rotary actuators that are controlled by standard modulating signals that position the ball in the position required by the control signal.



	2 ways	3 ways
Nominal Pressure:	PN16	
Body:	Nickel-plated brass	
Ball and oin :	Stainless steel	
Pin seat :	EPDM O-ring	
Regulation disc:	Tefzel, dal DN 40 kvs 25 acciaio inox	
Valve seat:	PTFE, Oring EPDM	
Fluid Temperature:	-10...120°C	
Closing pressure DP:	1400 kPa	
Diff. pressure max bar::	350 kPa	
Flow characteristics:	EQP (VDI/VDE 2178), optimized in the opening range	
Fluid indicated:	Cold and hot water with max 50% glycol volume	
Leakage:	Leakage rate A, to seal (EN 12266-1); 3way Control path A - AB: Leakage Rate A, air-tight (EN 12266-1), bypass B - AB Leakage class I (EN 1349 and EN 60534-4) ca. 1 ... 2% of kvs than the largest value of its DN	

DESCRIPTION

Selection control ball valve

Kvs mc/h	DN mm	2-ways threaded	3-ways threaded	compatible modulating electric actuator				
				90 sec	35 sec	9 sec		
				SMMLR24	SMMNR24	SMMSR24	SMMLFR24	SMMLFR28
				SMMLR24C	SMMNR24C	SMMSR24C		
0,25	15	VSRR207	VSRR307	XX	XX	XX	XX	XX
0,4	15	VSRR208	VSRR308	XX	XX	XX	XX	XX
0,63	15	VSRR209	VSRR309	XX	XX	XX	XX	XX
1	15	VSRR210	VSRR310	XX	XX	XX	XX	XX
1,6	15	VSRR211	VSRR311	XX	XX	XX	XX	XX
2,5	15	VSRR212	VSRR312	XX	XX	XX	XX	XX
4	15	VSRR213	VSRR313	XX	XX	XX	XX	XX
6,3	15	VSRR214	-	XX	XX	XX	XX	XX
4	20	VSRR217	VSRR317	XX	XX	XX	XX	XX
6,3	20	VSRR218	VSRR318	XX	XX	XX	XX	XX
8,6	20	VSRR219	-	XX	XX	XX	XX	XX
6,3	25	VSRR222	VSRR322	XX	XX	XX	XX	XX
10	25	VSRR223	VSRR323	XX	XX	XX	XX	XX
16	25	VSRR224	-	XX	XX	XX	XX	XX
16	32	VSRR231	VSRR331	-	-	XX	-	XX
16	40	VSRR238	VSRR338	-	-	XX	-	XX
25	40	VSRR239	VSRR339	-	-	XX	-	-
25	50	VSRR248	VSRR348	-	-	XX	-	-
40	50	VSRR249	VSRR349	-	-	XX	-	-
58	50	-	VSRR350	-	-	XX	-	-



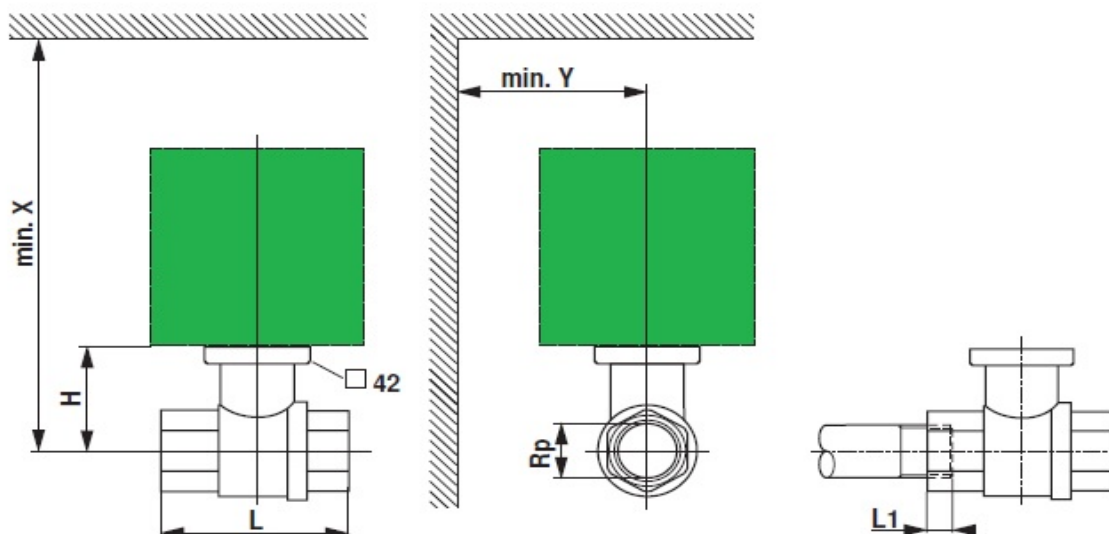
SATEMA

13856 VIGLIANO B.SE - Via Milano, 395

Tel. +39 015811102 - 015510156 - Fax 0158853029

Mail: info@satema.it <http://www.satema.it>

DIMENSIONS mm



Codice	Kvs	Rp	L	L1	H	X	Y	Weight kg
VSRR207	0,25	1/2"	67	13	35	230	90	0.24
VSRR208	0,4	1/2"	67	13	35	230	90	0.24
VSRR209	0,63	1/2"	67	13	35	230	90	0.24
VSRR210	1	1/2"	67	13	35	230	90	0.24
VSRR211	1,6	1/2"	67	13	35	230	90	0.24
VSRR212	2,5	1/2"	67	13	44	230	90	0.3
VSRR213	4	1/2"	67	13	44	230	90	0.3
VSRR214	6,3	1/2"	67	13	44	230	90	0.3
VSRR217	4	3/4"	78	14	46	235	90	0.42
VSRR218	6,3	3/4"	78	14	46	235	90	0.42
VSRR219	8,6	3/4"	78	14	46	235	90	0.42
VSRR222	6,3	1"	87	16	46	235	90	0.55
VSRR223	10	1"	87	16	46	235	90	0.55
VSRR224	16	1"	87	16	46	235	90	0.55
VSRR231	16	1"1/4	105	19	50.5	240	90	0.78
VSRR238	16	1"1/2	111	19	50.5	240	90	0.95
VSRR239	25	1"1/2	111	19	50.5	240	90	0.95
VSRR248	25	2"	125	22	56	245	90	1.5
VSRR249	40	2"	125	22	56	245	90	1.5



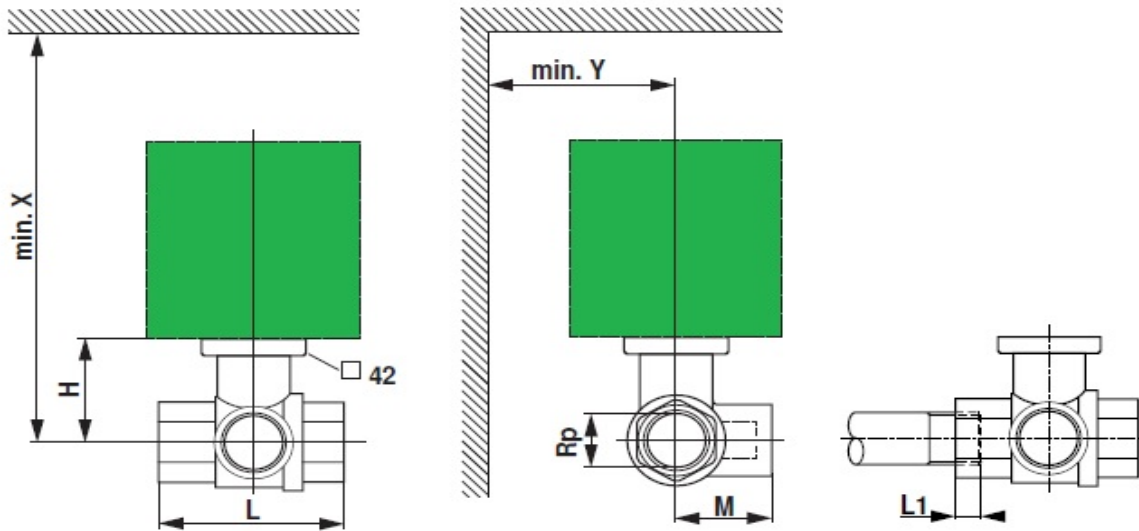
SATEMA

13856 VIGLIANO B.SE - Via Milano, 395

Tel. +39 015811102 - 015510156 - Fax 0158853029

Mail: info@satema.it <http://www.satema.it>

DIMENSIONI in mm



3Vie a T	Rp	L	L1	M	H	X	Y	Peso kg
VSRR307	1/2"	67	13	36	35	230	90	0.27
VSRR308	1/2"	67	13	36	35	230	90	0.27
VSRR309	1/2"	67	13	36	35	230	90	0.27
VSRR310	1/2"	67	13	36	35	230	90	0.27
VSRR311	1/2"	67	13	36	44	230	90	0.37
VSRR312	1/2"	67	13	36	44	230	90	0.37
VSRR313	1/2"	67	13	36	44	230	90	0.37
VSRR317	3/4"	78	14	41.5	46	235	90	0.46
VSRR318	3/4"	78	14	41.5	46	235	90	0.46
VSRR322	1"	87	16	45	46	235	90	0.65
VSRR323	1"	87	16	45	46	235	90	0.65
VSRR331	1"1/4	105	19	55.5	50.5	240	90	0.95
VSRR338	1"1/2	111	19	56	50.5	240	90	1.15
VSRR339	1"1/2	122	19	66.5	62	250	90	1.15
VSRR348	2"	125	22	68	56	245	90	1.9
VSRR349	2"	142	22	79	68	262	90	1.8
VSRR350	2"	142	22	79	68	262	90	1.8



SATEMA

13856 VIGLIANO B.SE - Via Milano, 395

Tel. +39 015811102 - 015510156 - Fax 0158853029

Mail: info@satema.it <http://www.satema.it>